

6T SERIES

- ✓ High-performance solar modules offering higher efficiency, lower installation costs
- ✓ 60 high-quality mono-crystalline cells per module
- ✓ Tested to UL 1703 and CEC with a Class C fire rating
- ✓ 25-year linear performance warranty
- ✓ Manufactured end-to-end in Milwaukee, Wisconsin (USA) using Helios Solar Works advanced, automated platform

Helios Solar Works manufactures high-performance mono-crystalline solar modules for solar electric systems. We use only high-quality components and an advanced, automated manufacturing platform to offer modules that deliver higher efficiency, lower installation costs, and a smaller system footprint.

Helios Solar Works is headquartered in Milwaukee, Wisconsin. We manufacture our modules using materials sourced from regional and U.S. suppliers whenever possible.

CATEGORY

Mono-crystalline Solar (60 Cell)

CHARACTERISTICS

Dimension: 1,680 mm x 990 mm
(66.14" x 38.98")
Area: 1.66 m² (17.87 Sq Ft)
Thickness: 40 mm (1.58")
Weight: 22.59 kg (49.8 lbs)

OUTPUT CLASSES

260, 255, 250, 245, 240

WARRANTY

25-year linear performance warranty
&
10-year workmanship warranty



FRAME OPTIONS

- Anodized Aluminum
- Black Powder Coat

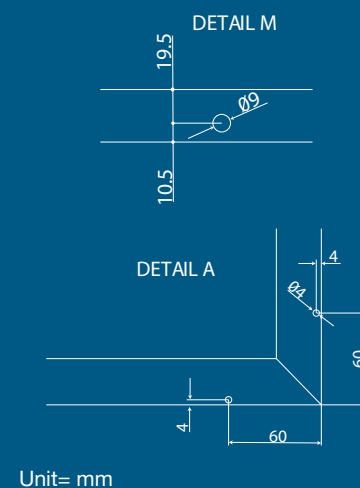
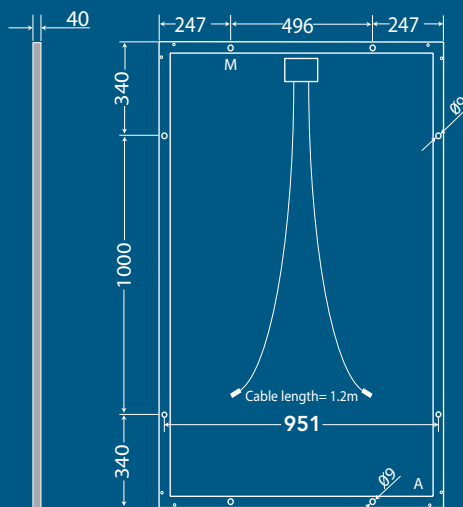
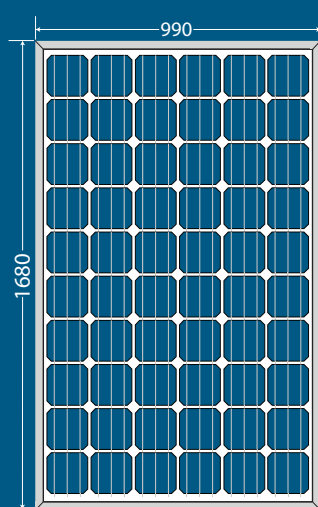
BACK SHEET OPTIONS

- Black
- White
- Clear



6T with black back sheet and black frame

6T SERIES



ELECTRICAL DATA STC

	6T 260	6T 255	6T 250	6T 245	6T 240
Rated Power PMPP (W)	= 260	255	250	245	240
MPP Voltage (V)	= 30.84	30.65	30.30	30.03	30.00
MPP Current (A)	= 8.46	8.32	8.22	8.18	8.00
Open Circuit Voltage (V)	= 37.73	37.50	37.40	37.26	36.80
Short Circuit Current (A)	= 8.90	8.86	8.72	8.71	8.70

Measured at (STC) Standard Test Conditions 25° C, insolation 1,000 W/m², AM 1.5.

ELECTRICAL DATA NOCT

	6T 260	6T 255	6T 250	6T 245	6T 240
Rated Power PMPP (W)	= 190	187.00	183.00	179.00	175.00
MPP Voltage (V)	= 27.77	27.50	27.30	27.10	27.00
MPP Current (A)	= 6.84	6.80	6.70	6.60	6.50
Open Circuit Voltage (V)	= 34.90	34.60	34.50	34.40	34.30
Short Circuit Current (A)	= 7.32	7.30	7.25	7.20	7.15

Nominal Operating Cell Temperature (NOCT) values are typical values, 45°C.
Typical cell temperature: insolation 800W/m², ambient temperature 20°C, wind speed 1m/s.

OTHER ELECTRICAL PARAMETERS

System Voltage (V)	= 600/1,000	Temp. Coefficient PMPP (% / °C)	= -0.41
Temp. Coefficient ISC (% / °C)	= 0.03	Temp. Coefficient VOC (% / °C)	= -0.32

DESIGN

Cells	= 60 mono-crystalline, 3 bus bar	Backside	= Multilayer sheet
Cell Dimensions	= 156 mm x 156 mm, pseudo-square	Frame	= Anodized aluminum (clear or black)
Front glass	= 4mm solar glass, highly transparent and anti-reflective	Connection	= 2 x 1.2 m solar cables with MC4 connectors or compatible
Encapsulation	= EVA - Solar Cells - EVA	Bypass Diodes	= 3 pieces

LIMIT VALUES

Module Temperature -40°C to +80°C

QUALIFICATIONS

IEC 61215, IEC 61730, ULC/ORD-C1703-01, CEC, FSEC, TÜV NORD, CE

WARRANTY

25-year linear performance warranty. Also 10 years workmanship.

PERFORMANCE OUTPUT

-0/+3 percent