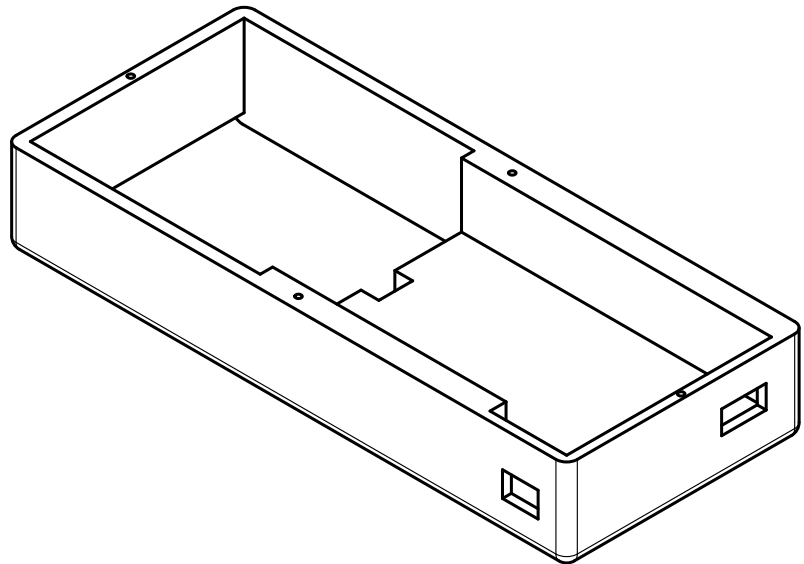
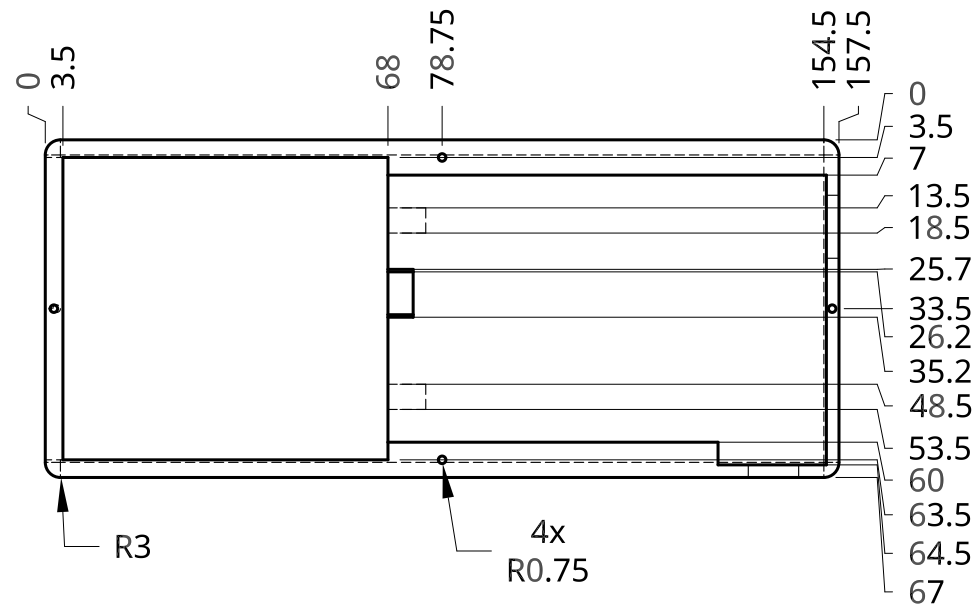


2

1

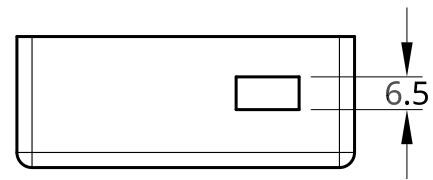
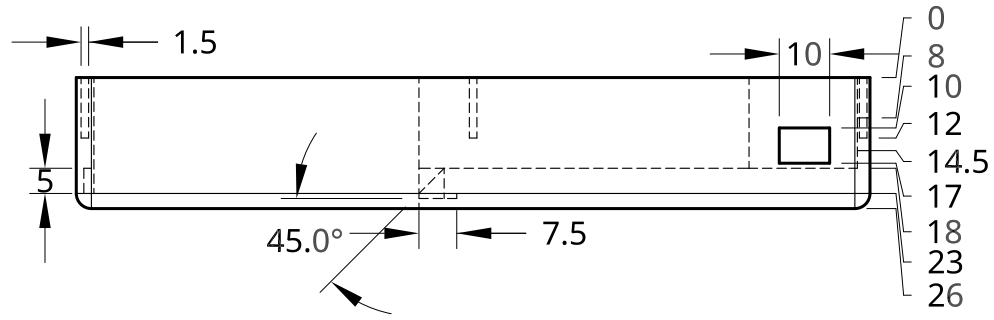
B

B



A

A



UNLESS OTHERWISE SPECIFIED, DIMENSIONS ARE IN MILLIMETERS		NAME	DATE		
ANGULAR = ± °		DRAWN	Andrew Yuan	06/08/2018	
SURFACE FINISH		CHECKED			TITLE
DO NOT SCALE DRAWING		APPROVED			----
BREAK ALL SHARP EDGES AND REMOVE BURRS					----
THIRD ANGLE PROJECTION		MATERIAL	FINISH		SIZE
					A
					DWG NO.

					REV.
					-
					SCALE
					1:1.5
					WEIGHT
					SHEET
					1 of 1

2

1