

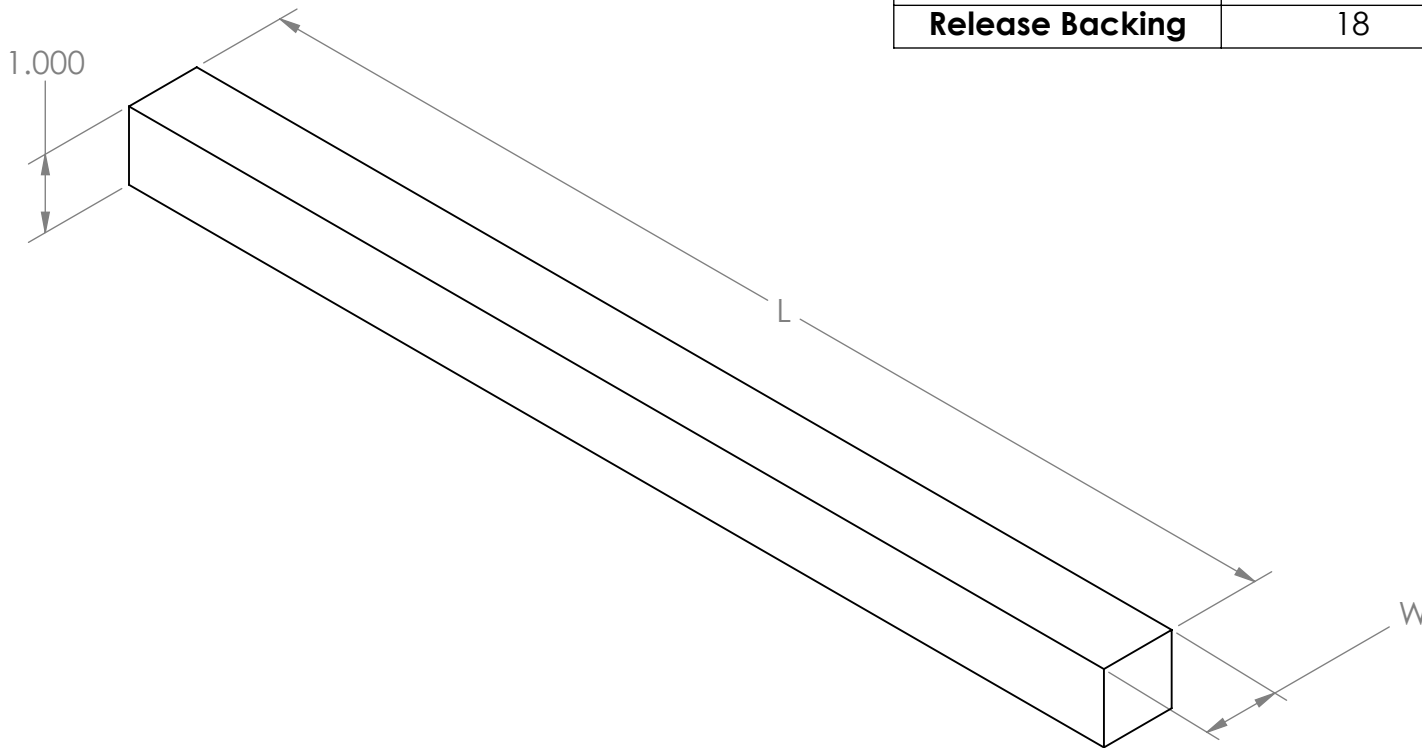
Bill of Materials		
Item #	Name	Qty
1	Width Beam	4
2	Tall Leg	2
3	Block	18
4	Block Support	2
5	Length Beam	1
6	Short Leg	2
7	Bob	18
8	Arm	18*
9	Rotor	18*
10	Stator	18*
11	Release Backing	1

*Multiple configurations exist. See part drawing for specifics.

**SolidWorks Student Edition.
For Academic Use Only.**

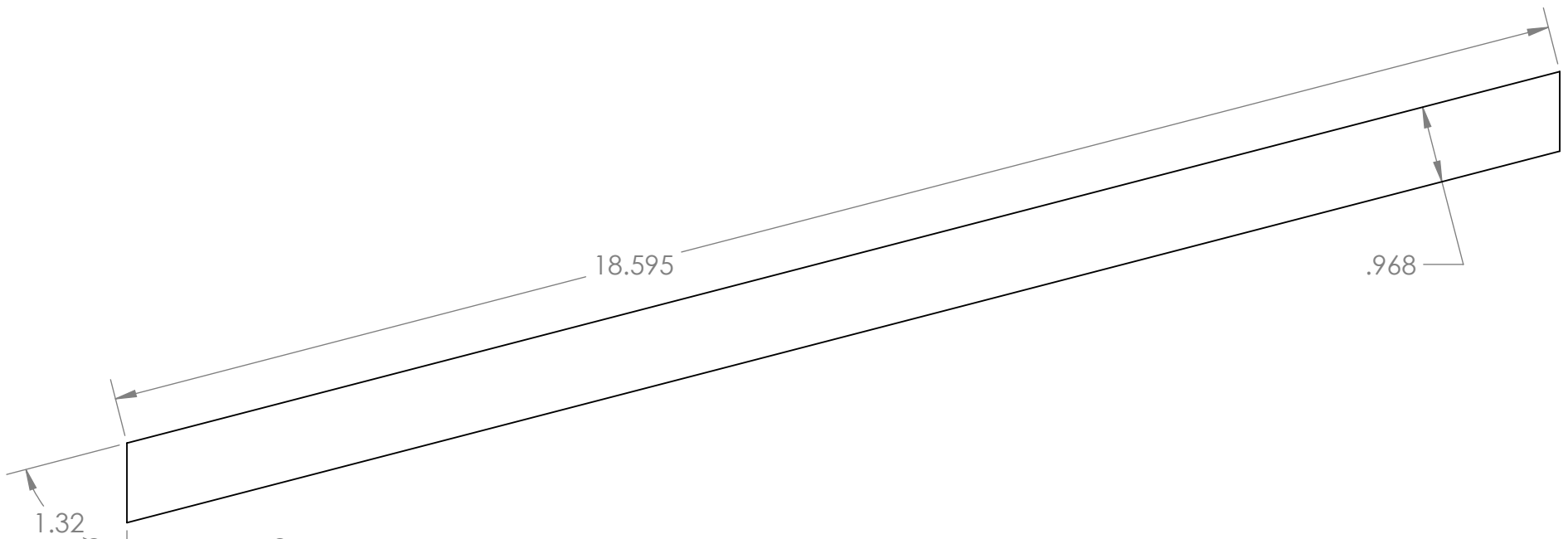
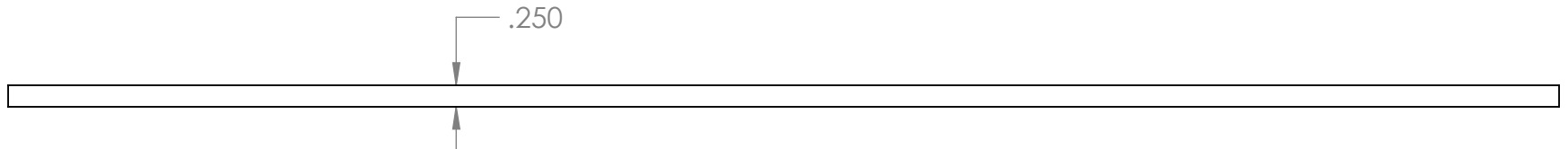
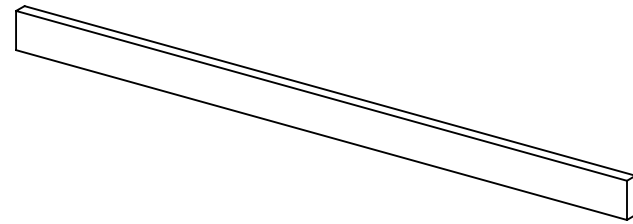
Frame Beam Dimensions

Dimensions		
Part	L	W
Width Beam	11.5	1
Length Beam	18	1
Small Leg	9.6938	1
Tall Leg	14.3617	1
Release Backing	18	0.5



**SolidWorks Student Edition.
For Academic Use Only.**

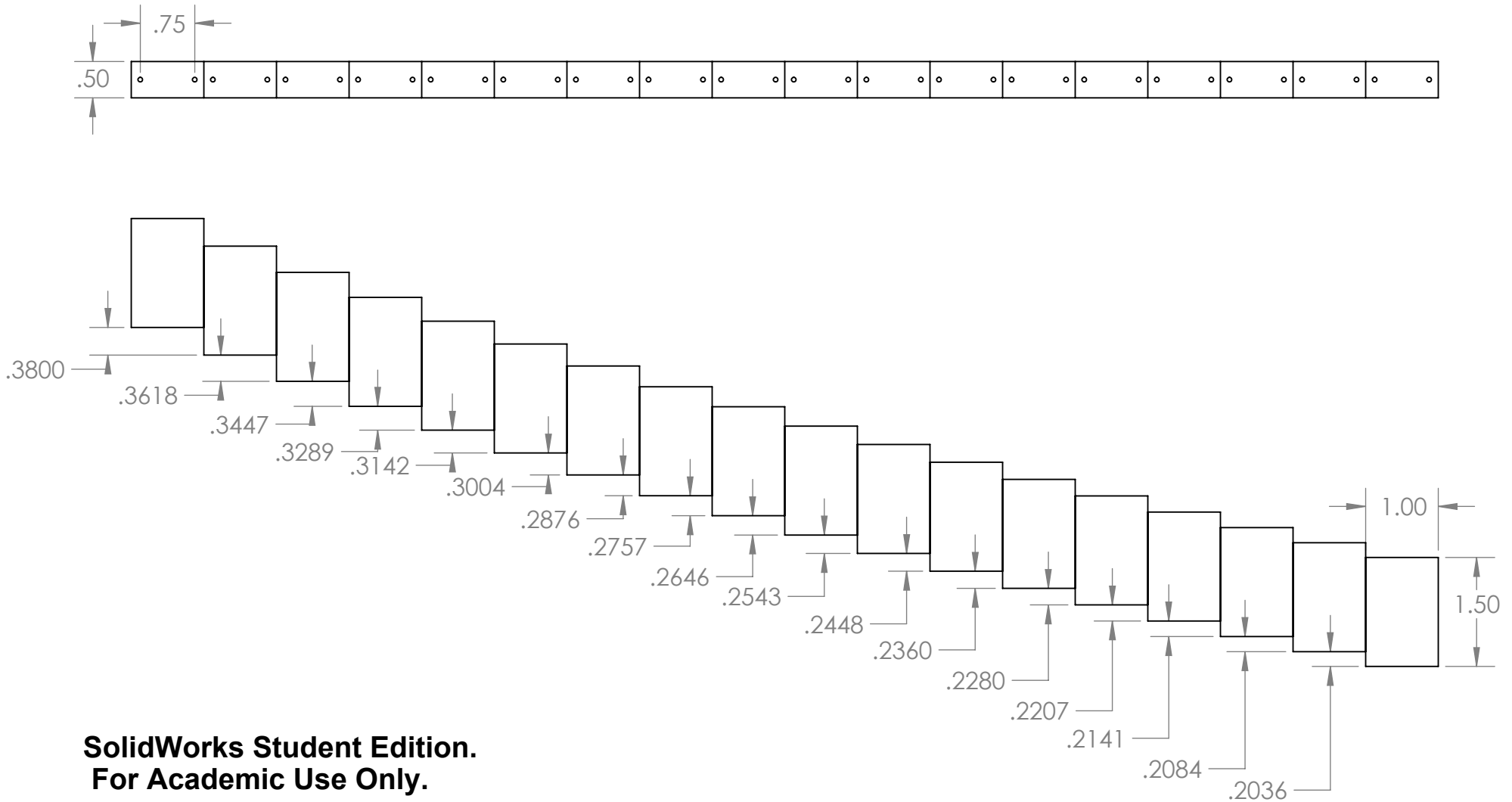
Block Support Dimensions



**SolidWorks Student Edition.
For Academic Use Only.**

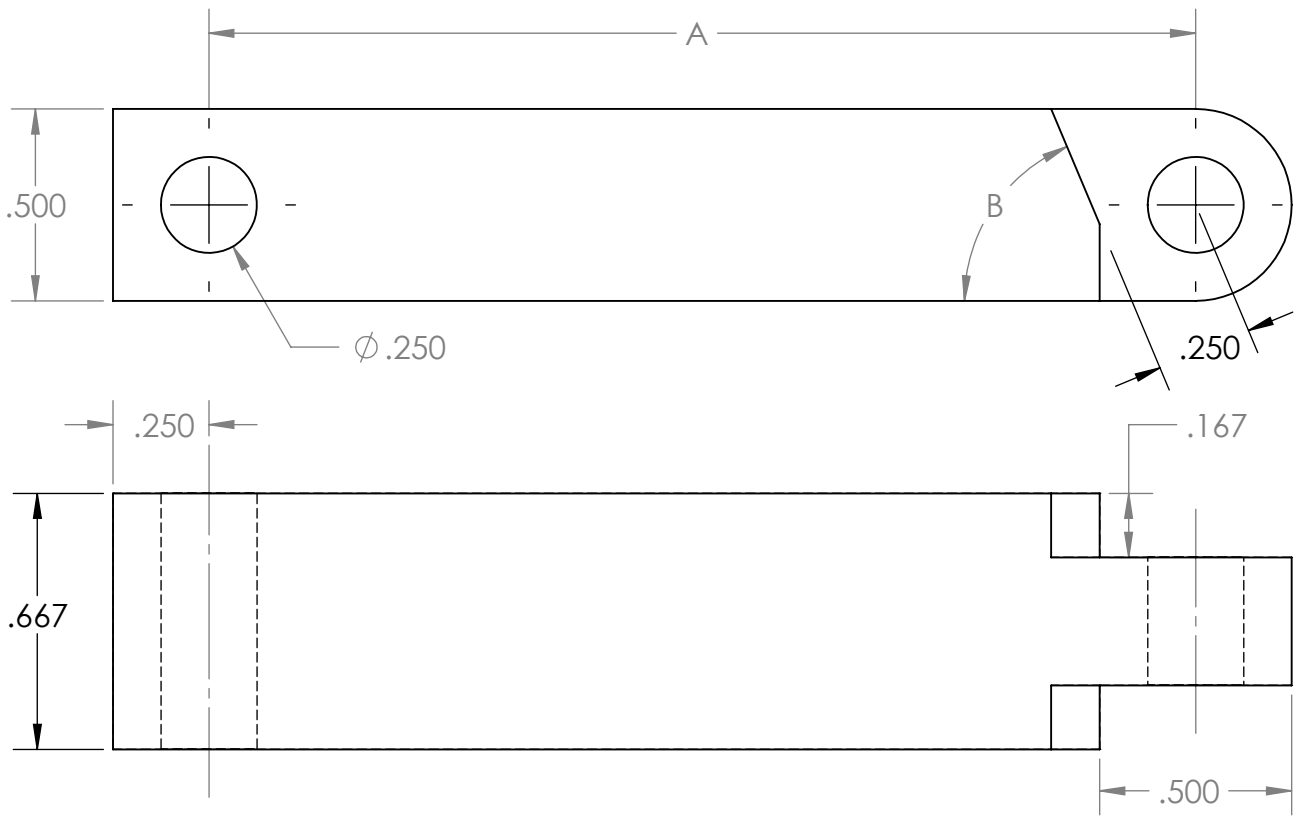
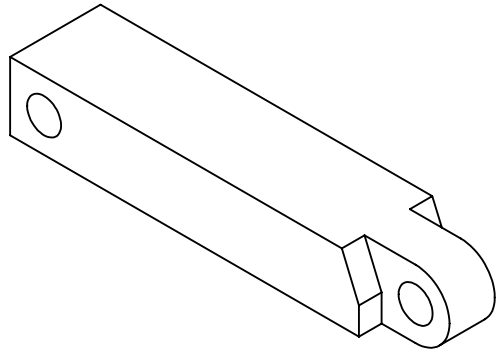
Block Setup

Each end block to be centered in middle on width beam so that 1/4" of block above and below horizontal beam edge.



**SolidWorks Student Edition.
For Academic Use Only.**

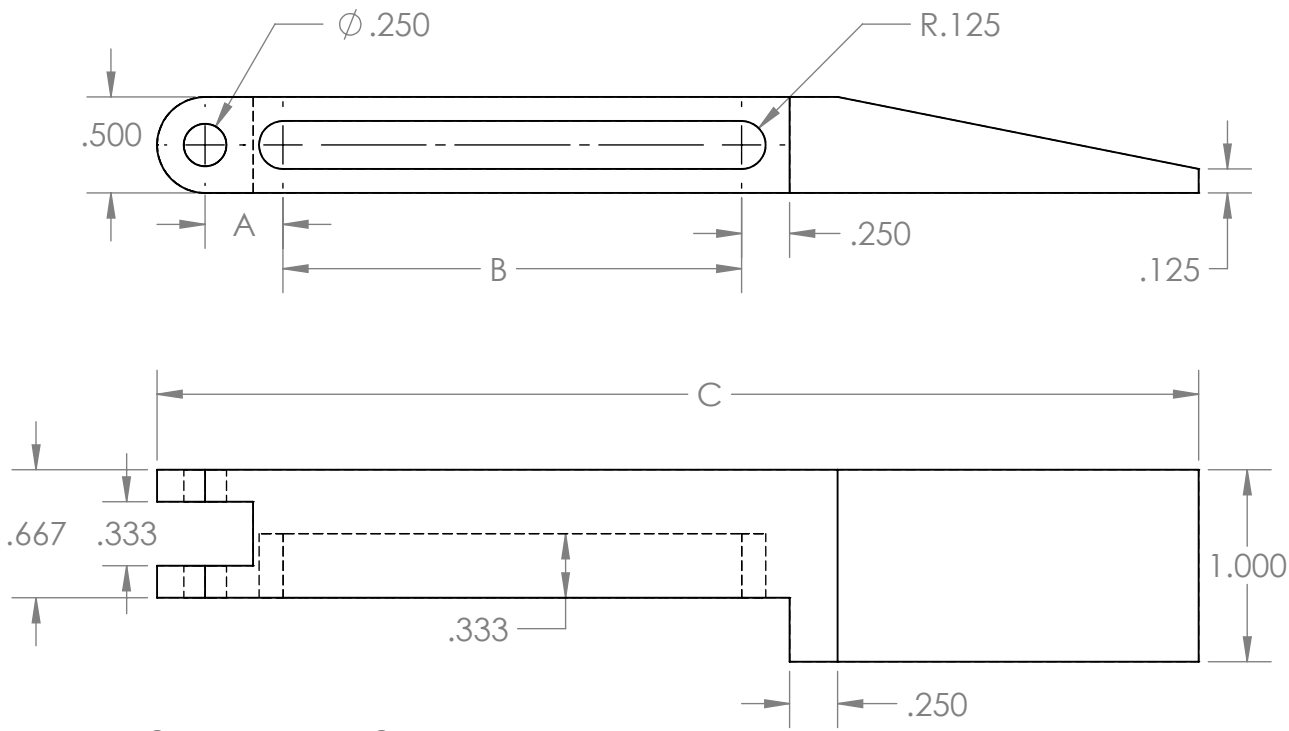
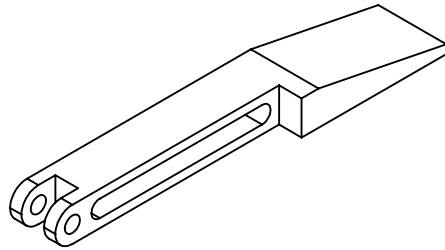
Stator Dimensions



Configuration-Dependent Variables		
Config #	A	B
1	2.5696	1.1733
2	2.5310	1.1828
3	2.4908	1.1926
4	2.4488	1.2027
5	2.4050	1.2131
6	2.3592	1.2240
7	2.3112	1.2352
8	2.2609	1.2468
9	2.2079	1.2589
10	2.1520	1.2714
11	2.0929	1.2846
12	2.0301	1.2983
13	1.9633	1.3127
14	1.8918	1.3279
15	1.8148	1.3439
16	1.7314	1.3610
17	1.6404	1.3792
18	1.5400	1.3989

**SolidWorks Student Edition.
For Academic Use Only.**

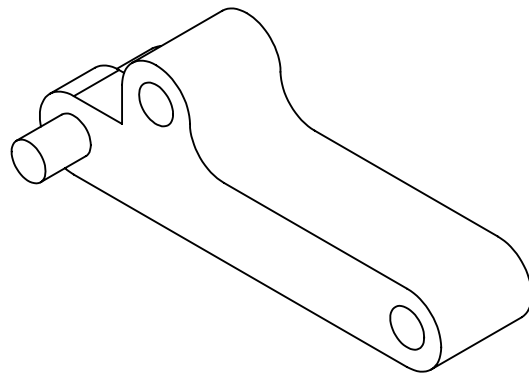
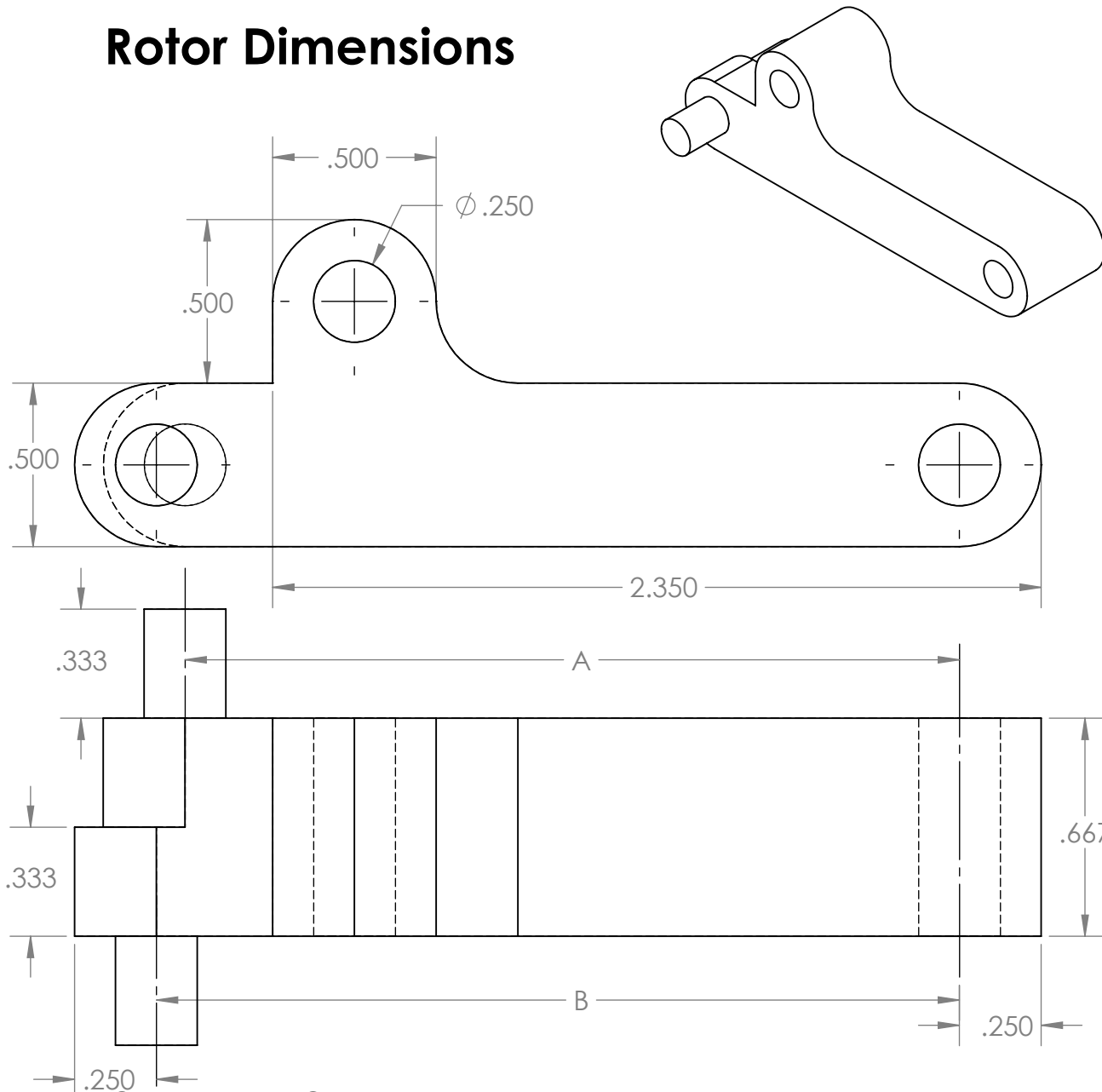
Arm Dimensions



**SolidWorks Student Edition.
For Academic Use Only.**

Configuration-Dependent Variables			
Conf #	A	B	C
1	0.4059	2.3888	5.4244
2	0.4328	2.3400	5.4446
3	0.4600	2.2898	5.4659
4	0.4874	2.2380	5.4884
5	0.5149	2.1847	5.5121
6	0.5426	2.1296	5.5372
7	0.5702	2.0727	5.5638
8	0.5979	2.0138	5.5921
9	0.6254	1.9527	5.6223
10	0.6527	1.8893	5.6545
11	0.6796	1.8233	5.6891
12	0.7059	1.7544	5.7263
13	0.7313	1.6822	5.7664
14	0.7555	1.6065	5.8101
15	0.7781	1.5265	5.8577
16	0.7983	1.4416	5.9101
17	0.8154	1.3511	5.9682
18	0.8280	1.2535	6.0334

Rotor Dimensions



Configuration-Dependent Variables		
Config #	A	B
1	2.5310	2.5696
2	2.4488	2.4908
3	2.3592	2.4050
4	2.2609	2.3112
5	2.1520	2.2079
6	2.0301	2.0929
7	1.8918	1.9633
8	1.7314	1.8148
9	1.5400	1.6404

SolidWorks Student Edition.
For Academic Use Only.