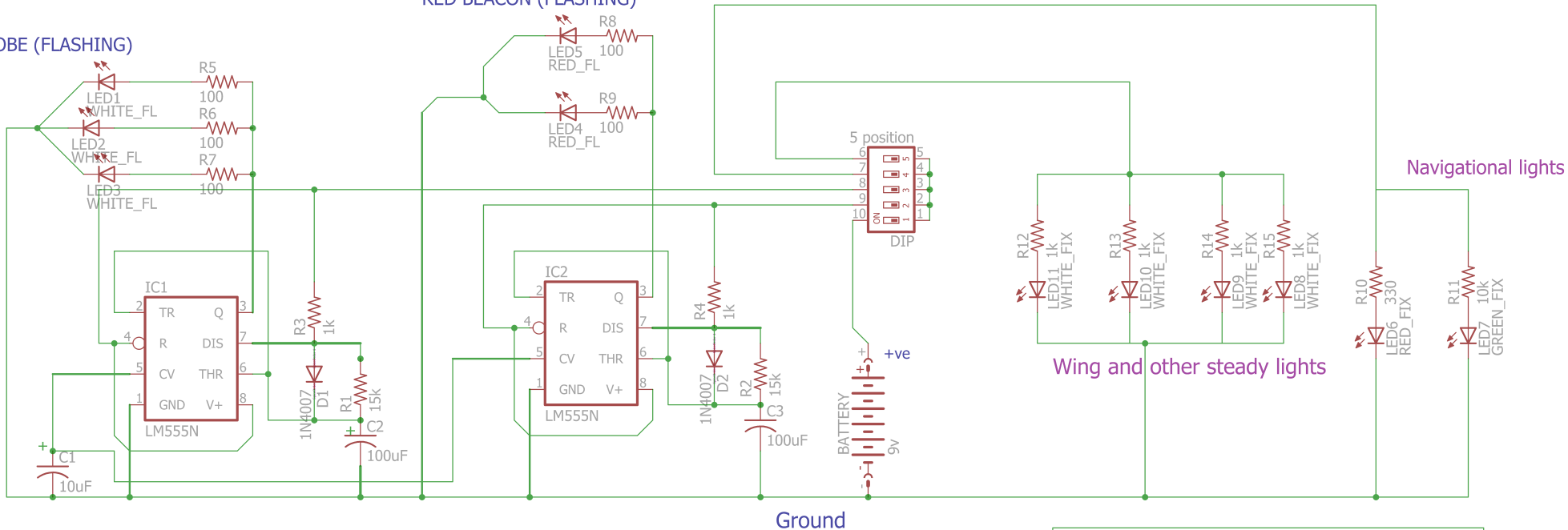


STROBE (FLASHING)

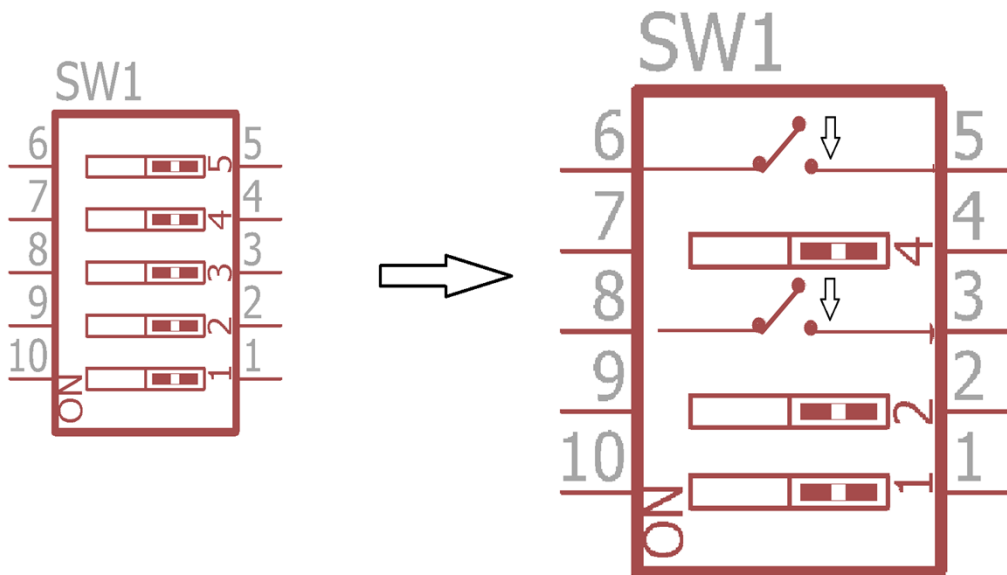
RED BEACON (FLASHING)



Navigation lights for model aircraft (9v)
(5 position DIP switch for individual control)

Drawn by MIHIR PATEL (using eagle cad)

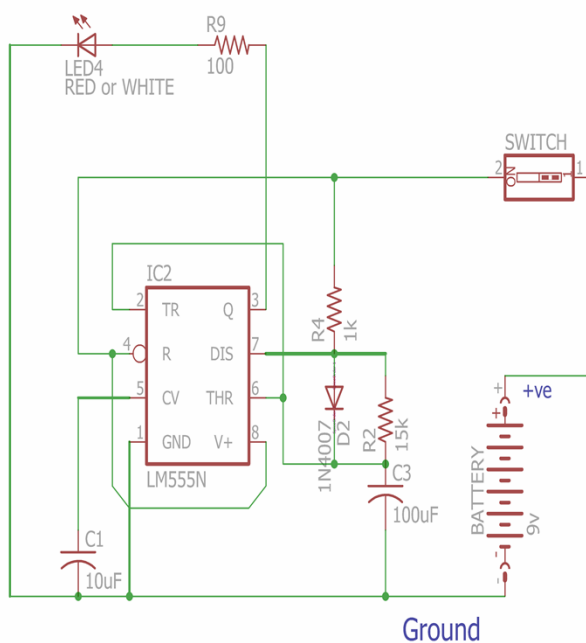
Reference for understanding the circuit.



Internal circuit diagram of DIP switch

The capacitor **C1 = 10uF** in the circuit is used as common capacitor between 5th pin of both 555 and with the ground. For single 555 mode as strobe light use C1 as it is. But in dual 555 mode its connected to ground.

Circuit for single IC 555 flasher.
(for uses other than Aircraft lights i.e. Ship's strobe, model locomotive warning flasher etc.)



Navigation lights for model aircraft (9v)
(example as single circuit)

Drawn by MIHIR PATEL (using eagle cad)