

used tools

These tools are recommendations. There is more than one way to skin a cat.

vise / bar clamp ; jigsaw / band saw / coping saw ; drill (4mm drill bit, 6mm drill bit) ; file / sand paper / countersink ; soldering iron ; solder ; multimeter ; double sided tape ; hot glue

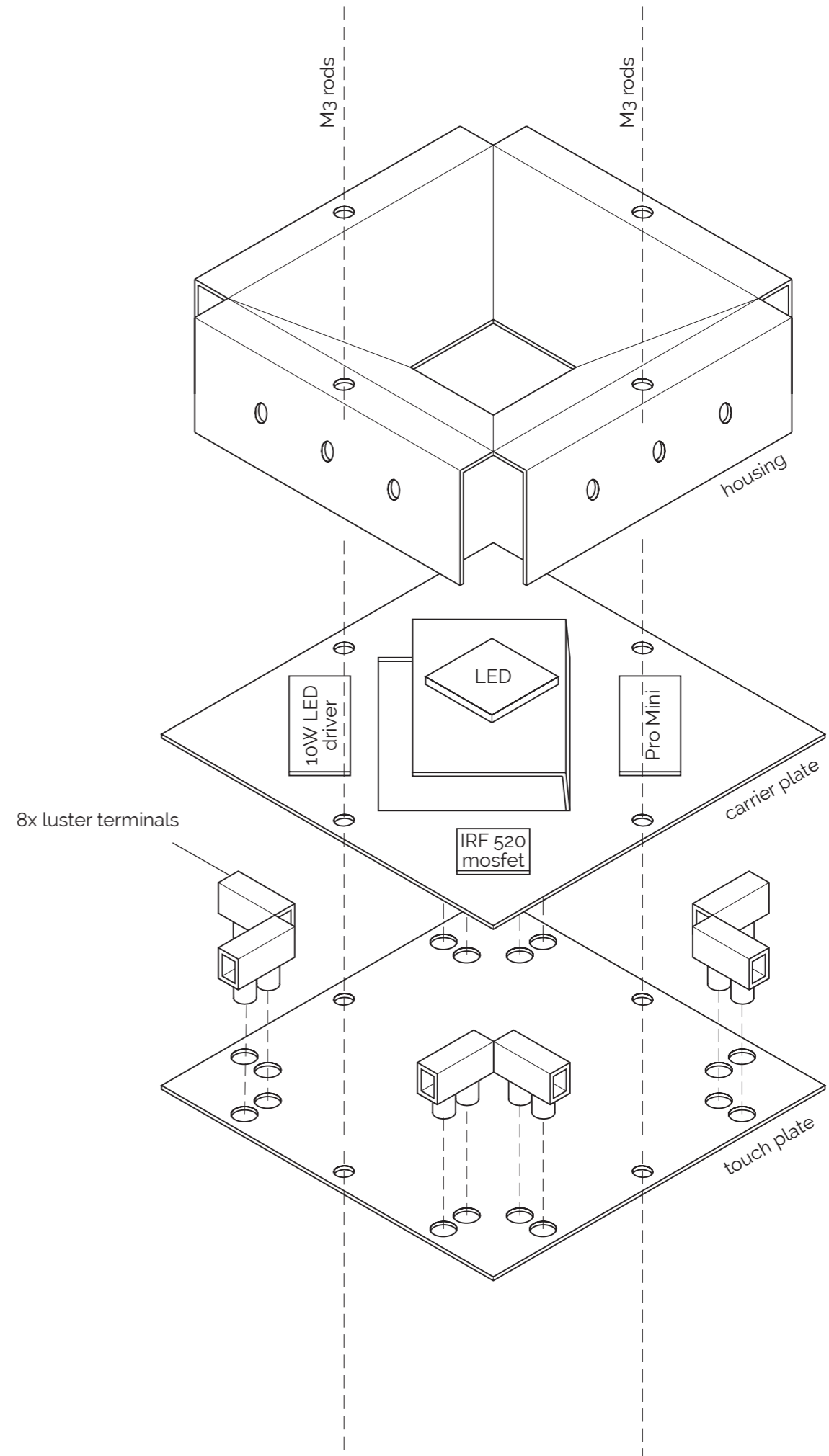
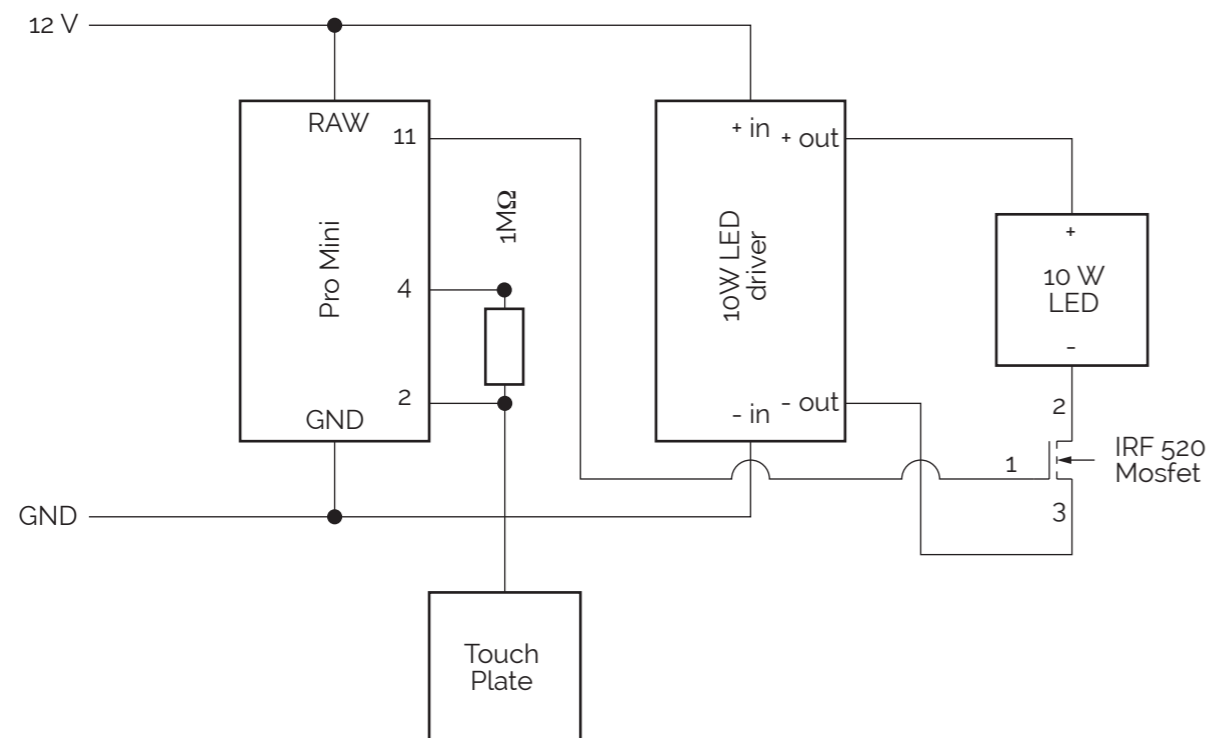
required materials

- M3 threaded rod, 25mm length
- 20x M3 nuts, 8x M3 end nuts
- 1mm tinplate format A3
- 8x luster terminals
- 8x o-rings 6mm, plastic dowel 3mm
- Arduino Pro Mini board or compatible
- 1M Ω resistor
- 10W LED driver board
- 10W LED module
- IRF 520 MOSFET
- stranded wire, red/white or black
- small electrical wires
- 12V power supply unit

additional tools for programming

You are going to need a computer and an FTDI breakout board for programming your microcontroller. Install Arduino from the arduino.cc website and open the provided code. Every line of code is commented. Instructions on how to program the Pro Mini board are available on arduino.cc/en/Guide/ArduinoProMini.

circuit diagram



cutting template for
Light Emitting Object (LEO)

scale 1:1 measurements in mm

