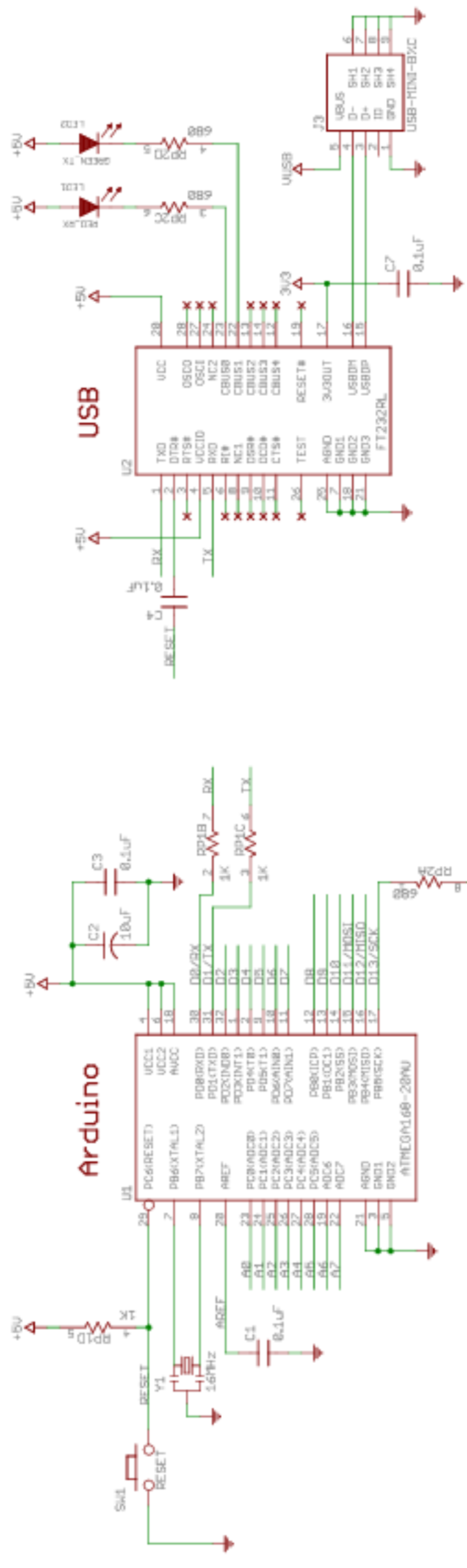
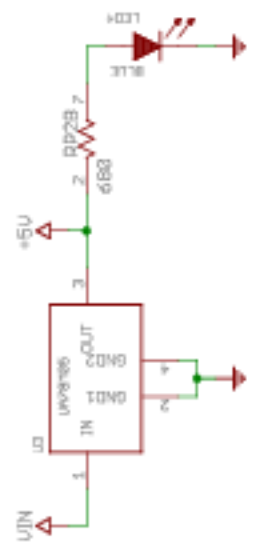


Arduino Nano v3.0

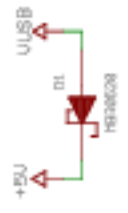
Copyright 2009 under the Creative Commons Attribution Share-Alike 2.5 License
<http://creativecommons.org/licenses/by-sa/2.5/>



+5V REG



+5V AUTO SELECTOR



NOT USED
 1K
 1K

6

TITLE: Arduino Nano2

Document Number:

REV: 3.0

Date: 7/21/2009 12:32:59 PM

Sheet: 1/1