

PLAN VIEW 1:10

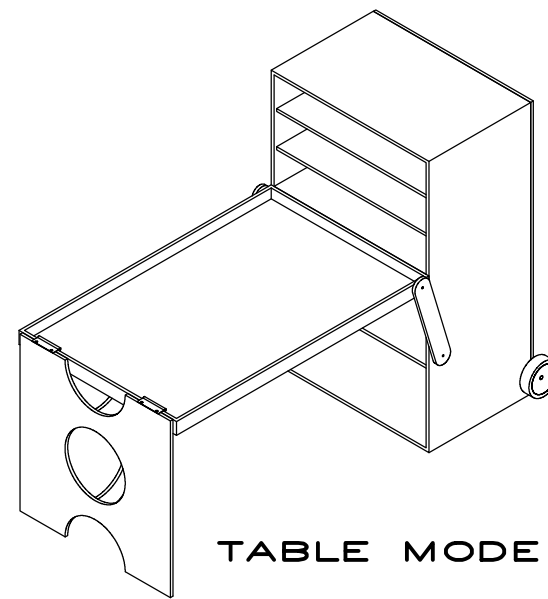
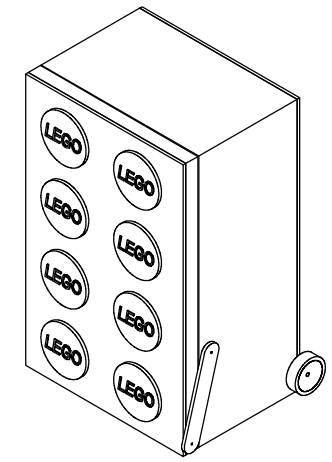
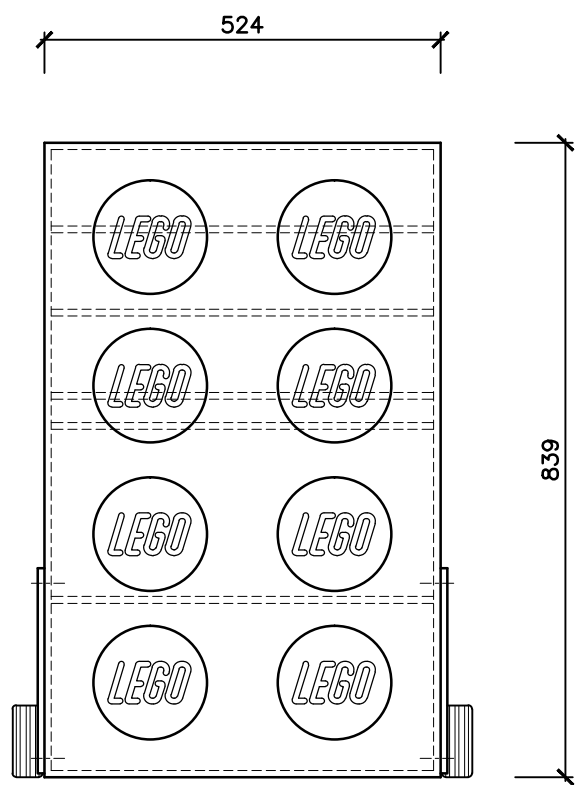


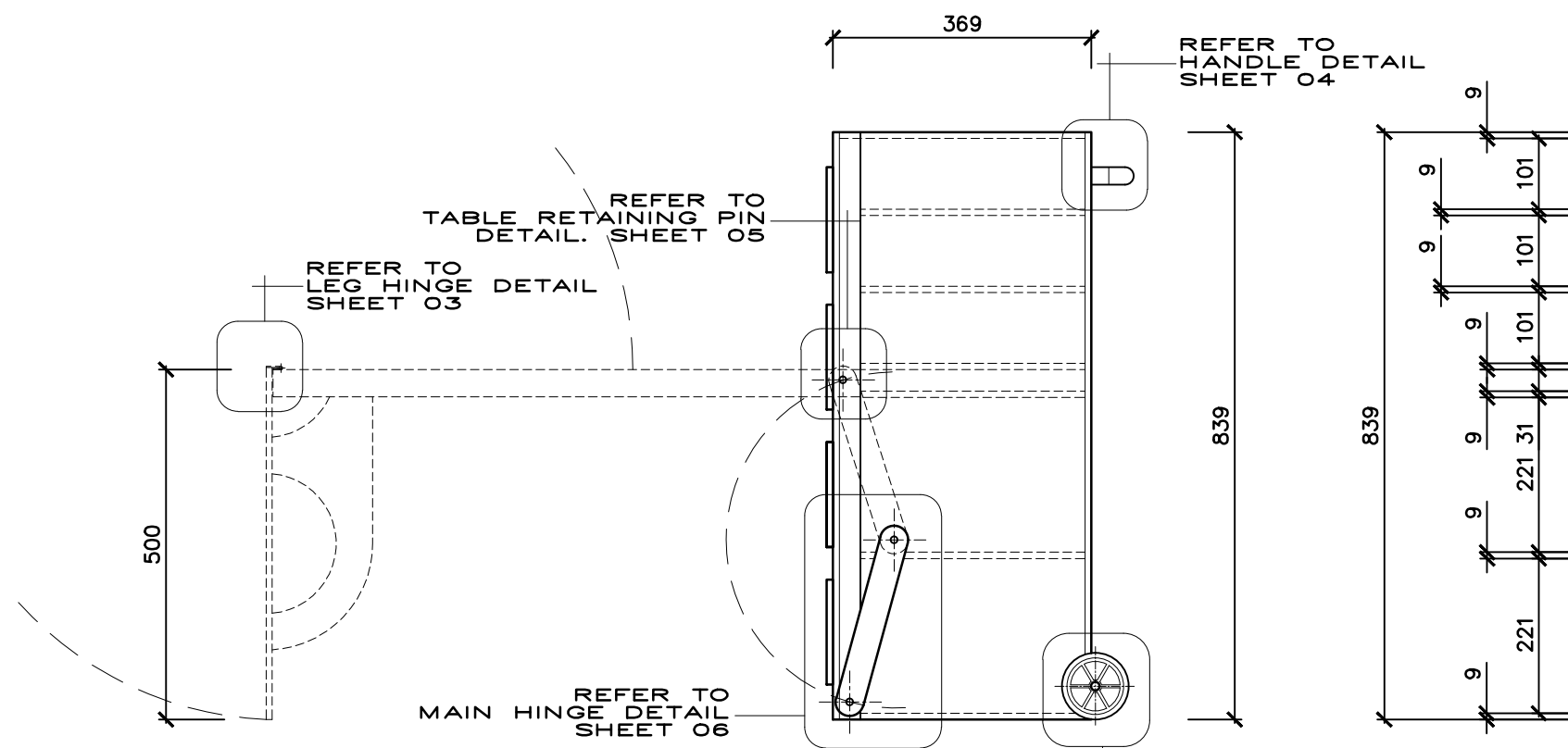
TABLE MODE N.T.S.



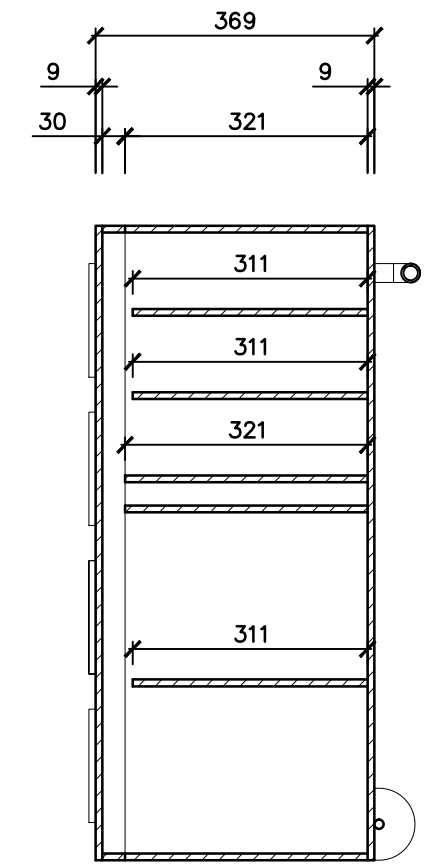
STORAGE MODE N.T.S.



FRONT ELEVATION 1:10



END ELEVATION 1:10



SECTION A 1:10

DRAWING: PLAN, ELEVATIONS & ISOMETRICS			DRAWN: T.S.	DATE: 19.1.2015
DATE	REVISION	BY	DESIGNED: T.S.	SCALE: 1:10
PROJECT: PORTABLE LEGO CREATION STATION			JOB No. 14013	DWG No. 01
Thingiverse: Tez_Gelmir HACK A DAY: Tez_Gelmir		twitter: @Tez_Gelmir instructables: Tez_Gelmir		