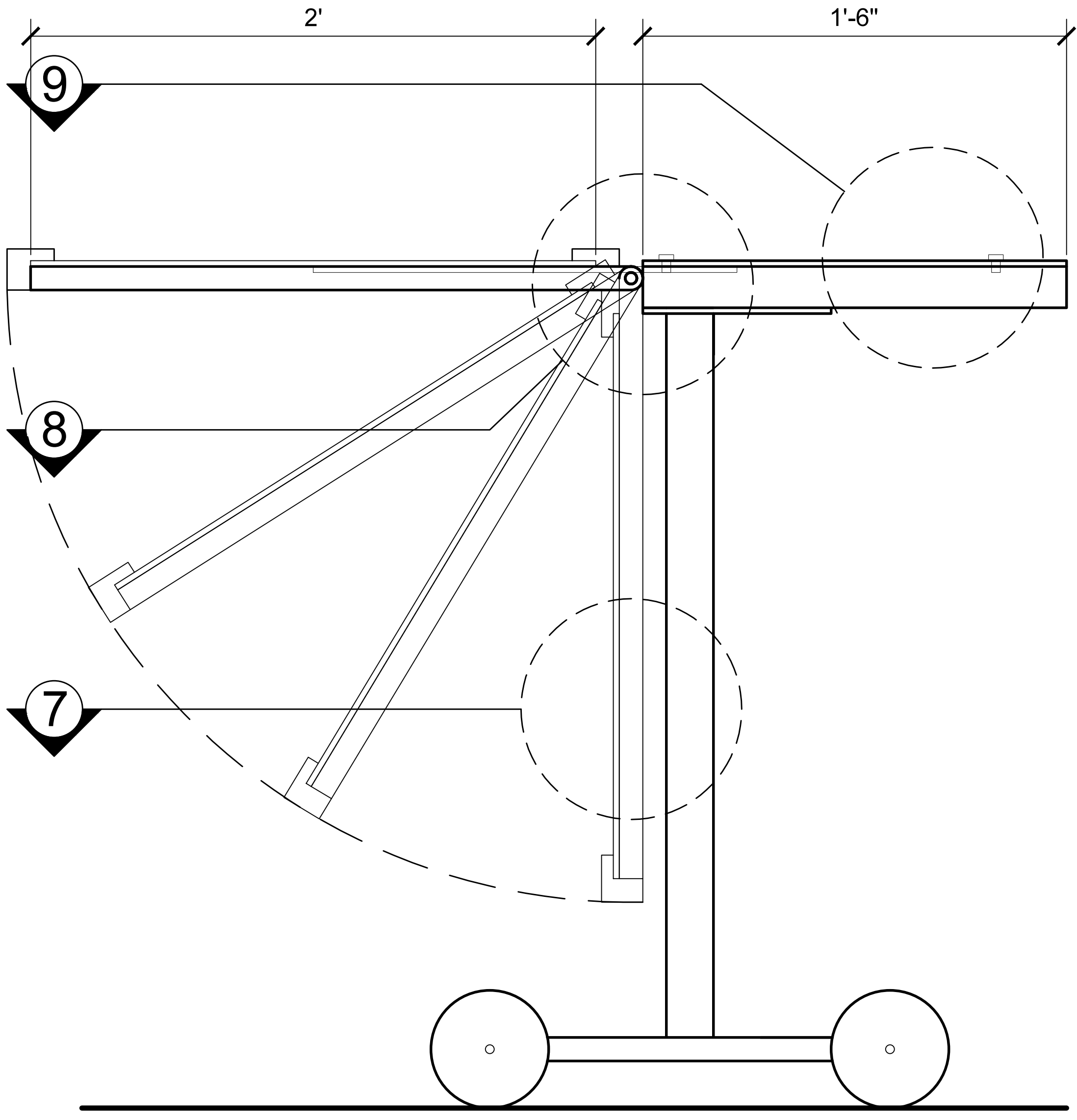


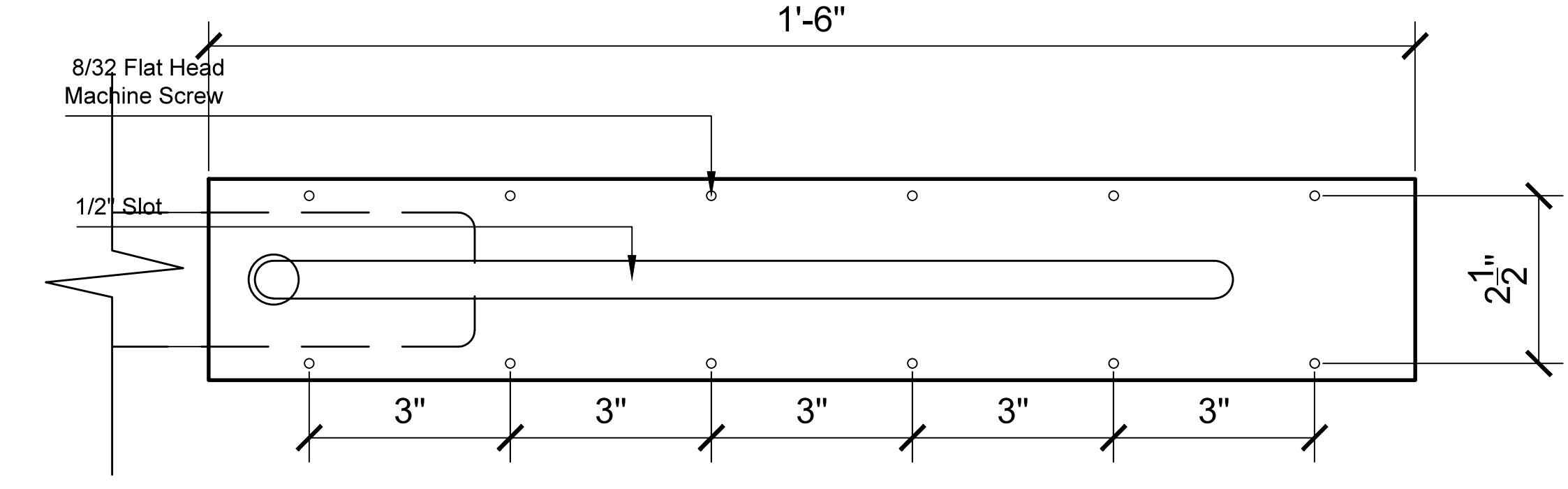
10 Elevation - Folded Setting

Scale 3"=1'



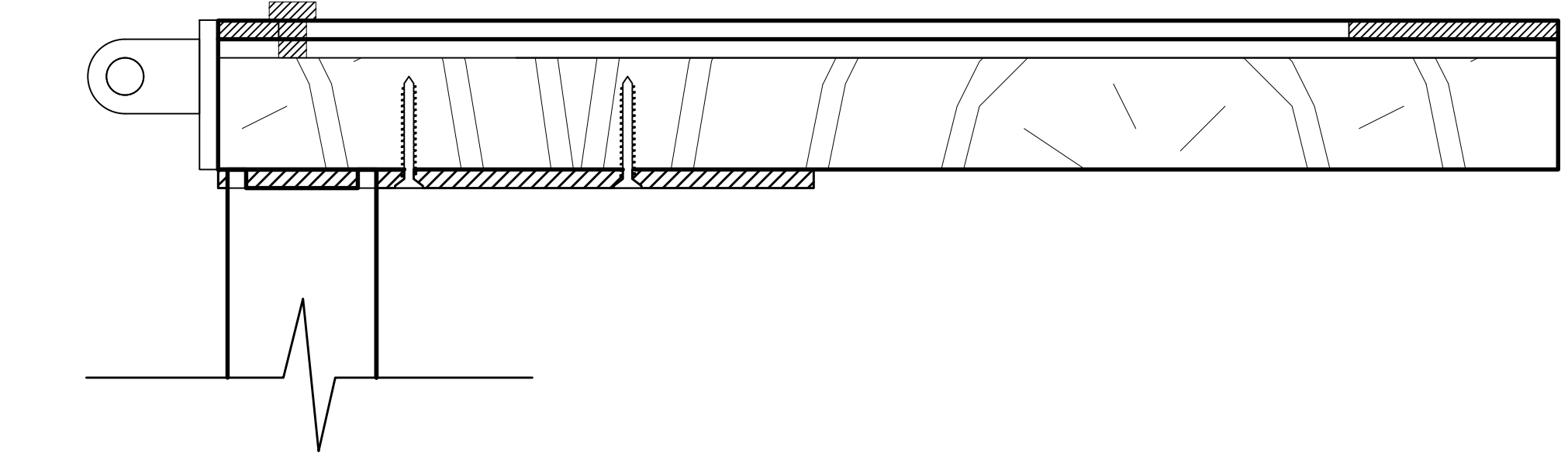
4 Elevation - Side

Scale 3"=1'



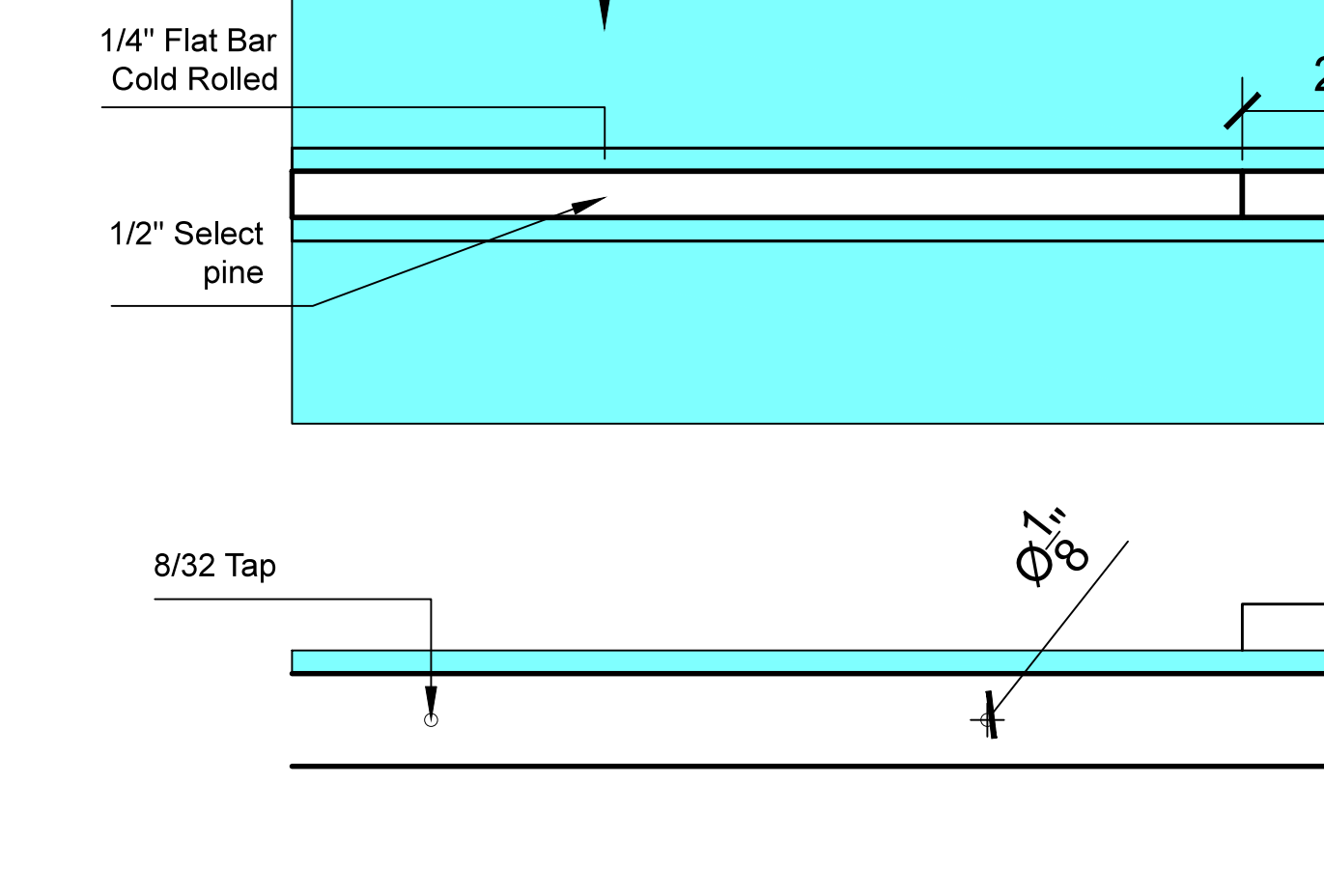
9 Detail - Slide Cover

Scale 6"=1'



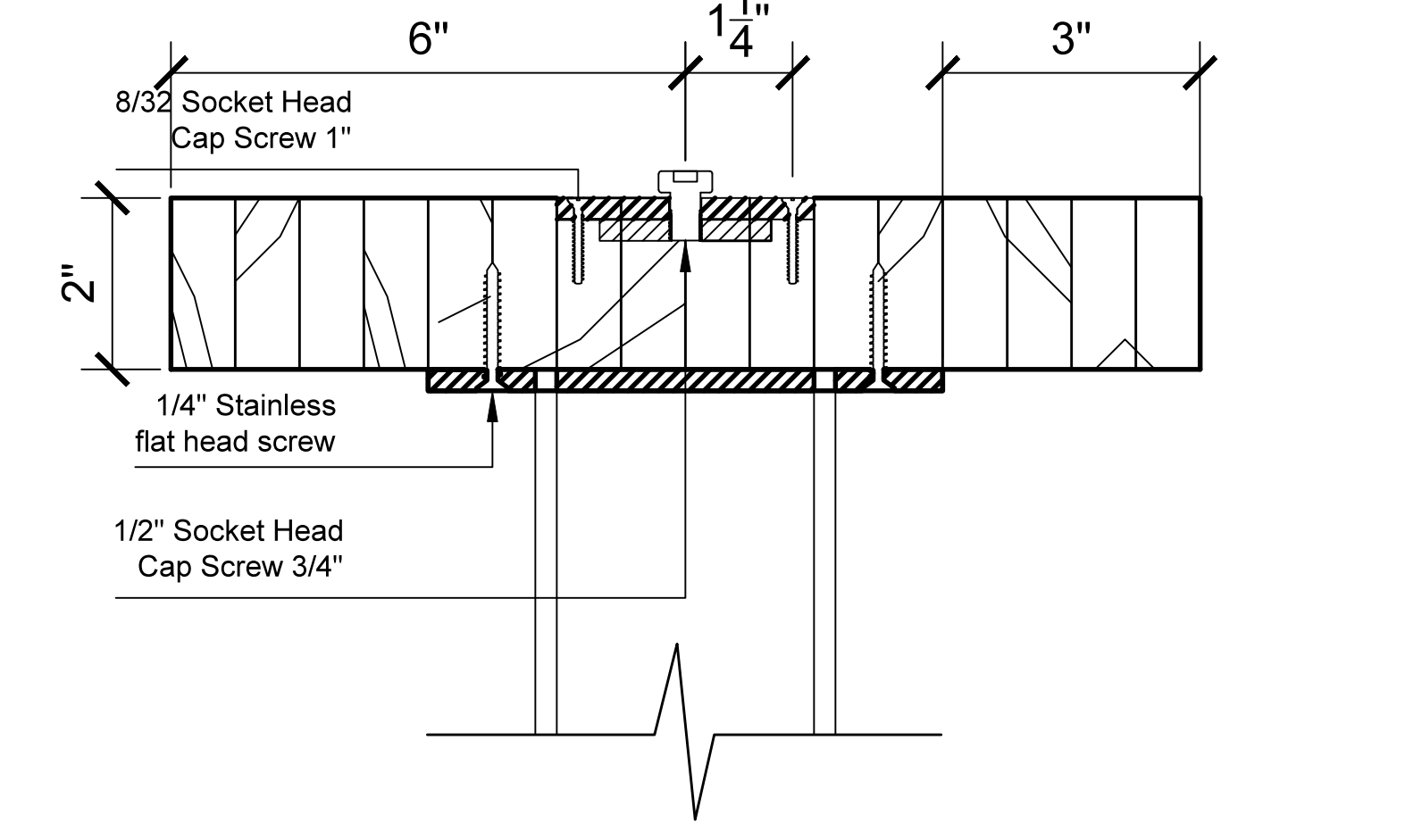
8 Detail - Lock Mechanism

Scale 6"=1'



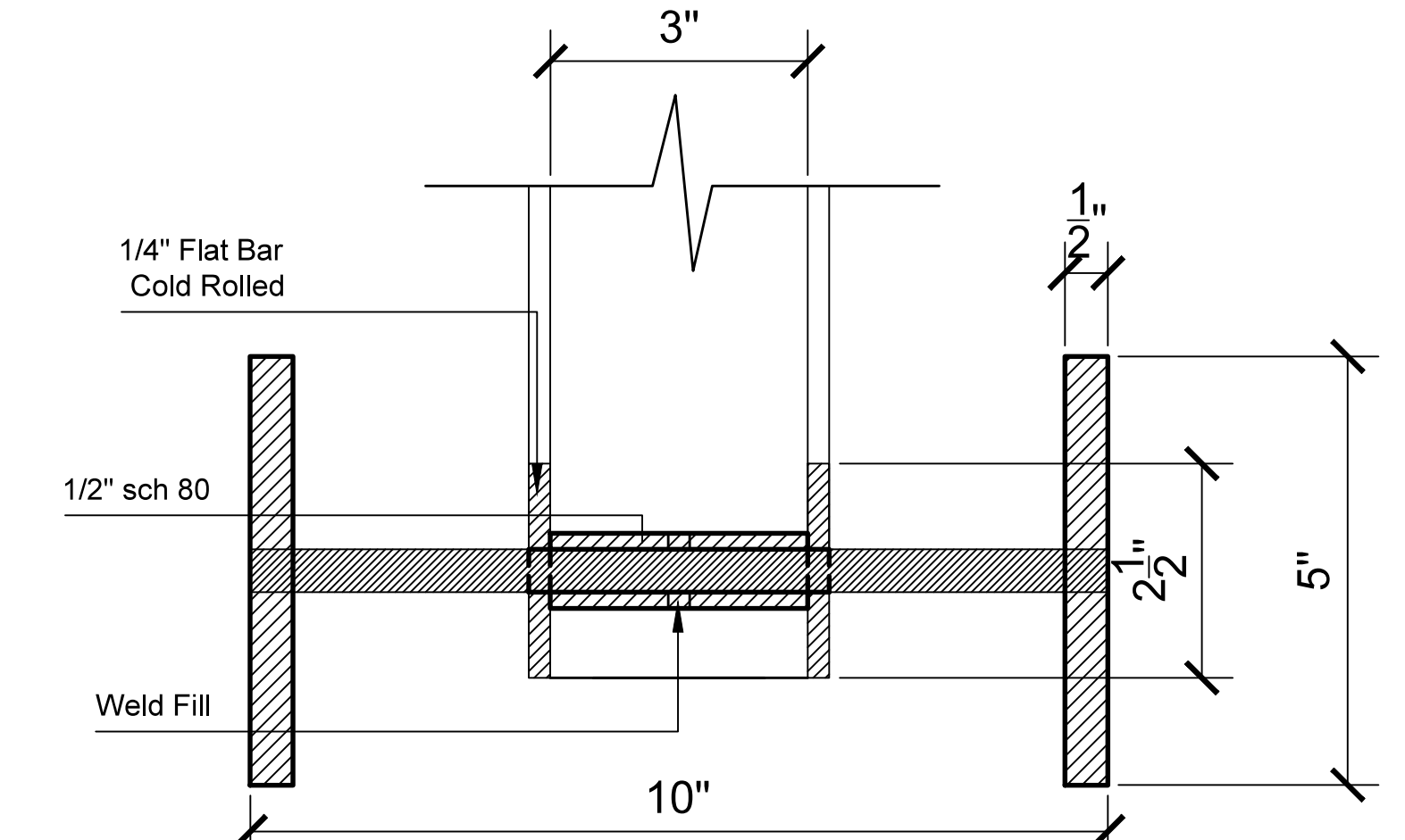
7 Detail - Wood Armature

Scale 6"=1'



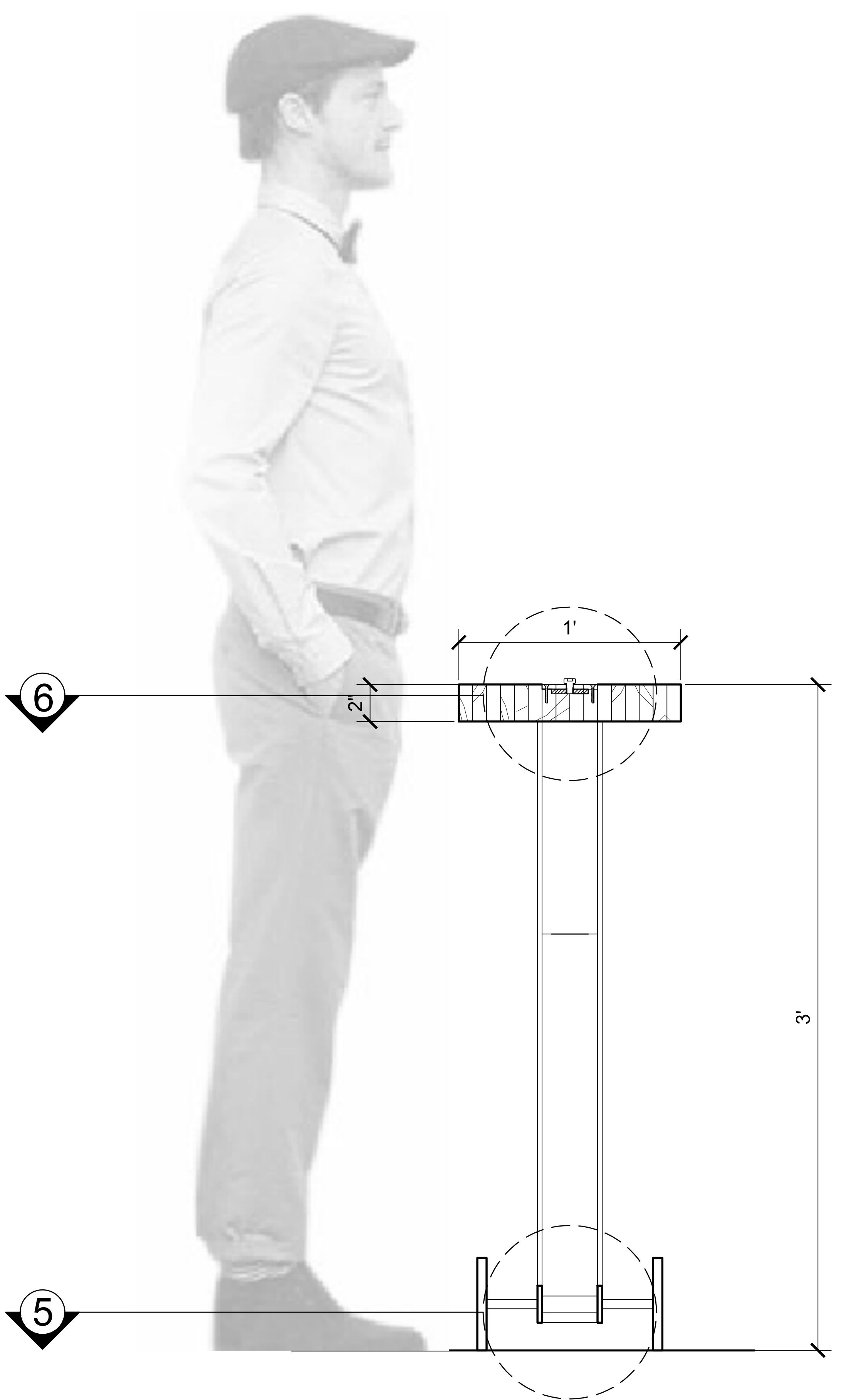
6 Detail - Section

Scale 6"=1'



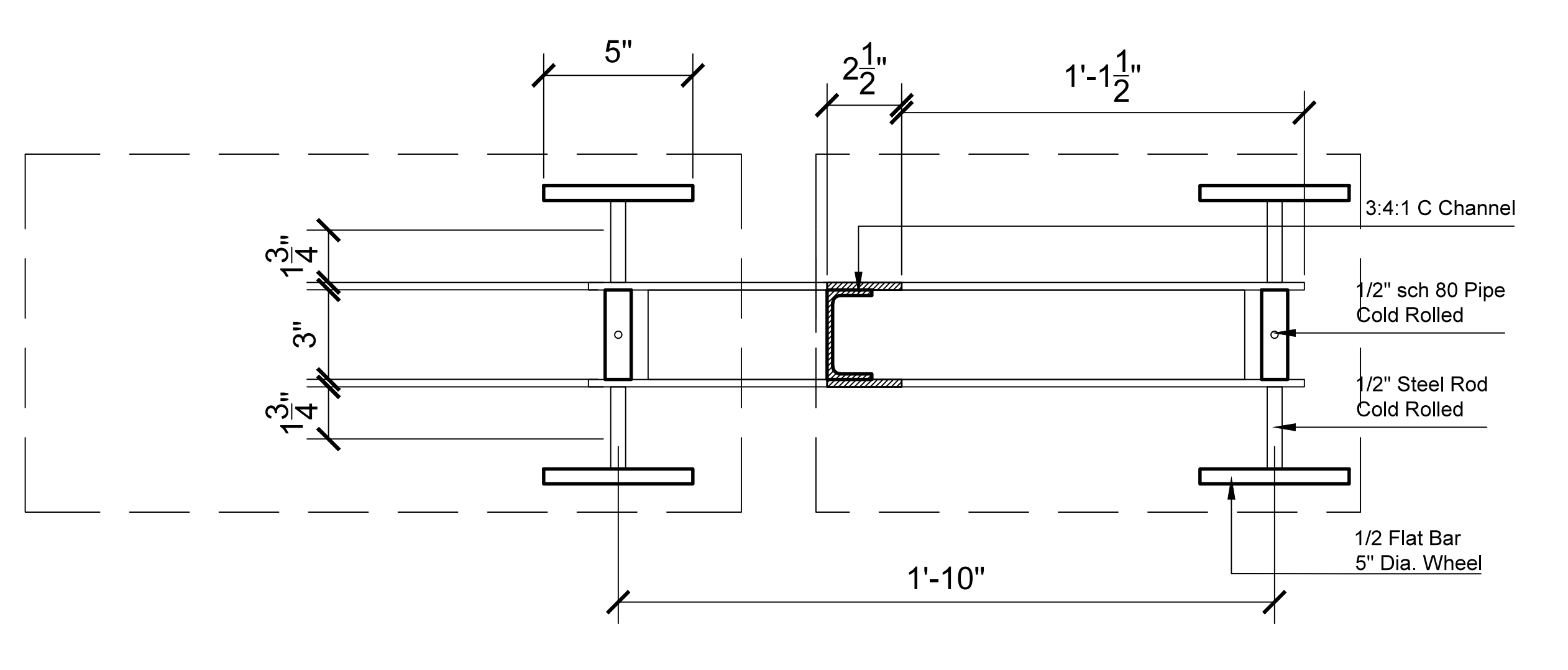
5 Detail - Roller

Scale 6"=1'



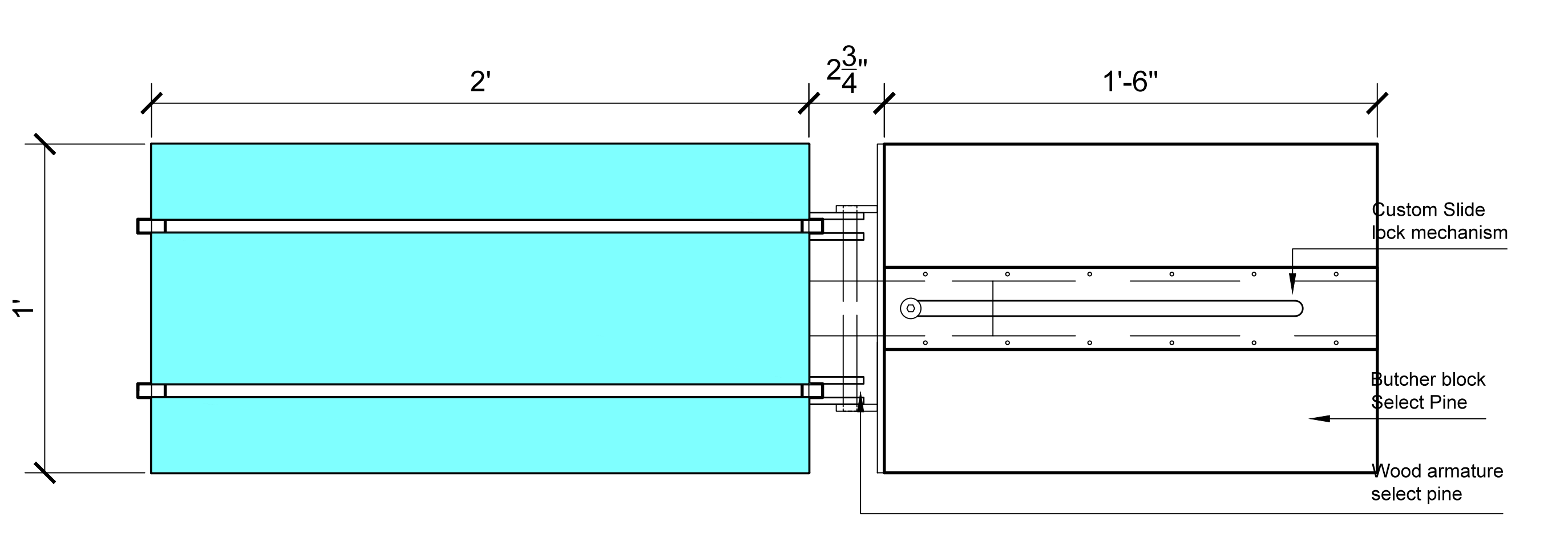
3 Section B

Scale 6"=1'



2 Plan

Scale 3"=1'



1 Plan

Scale 3"=1'