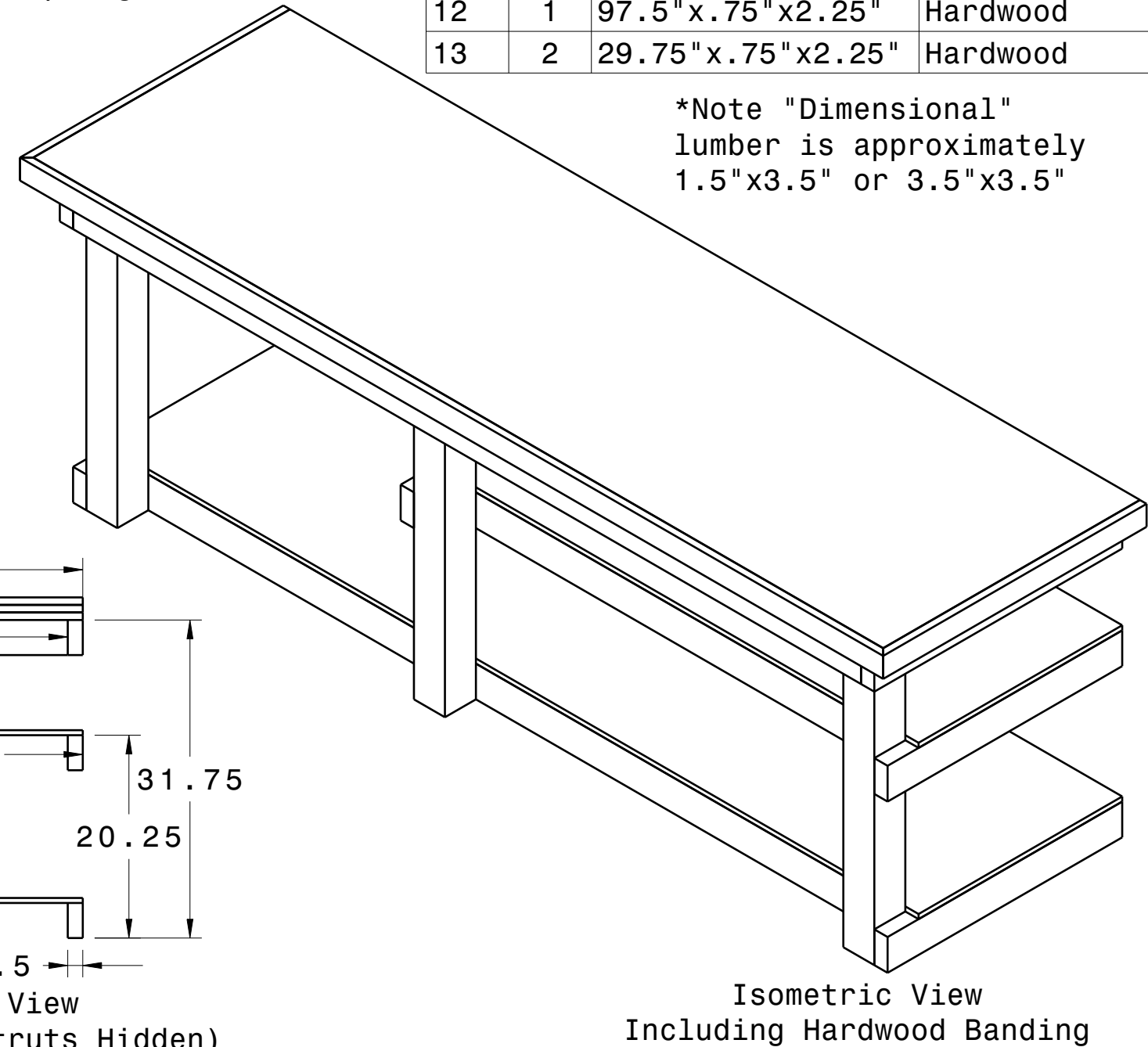
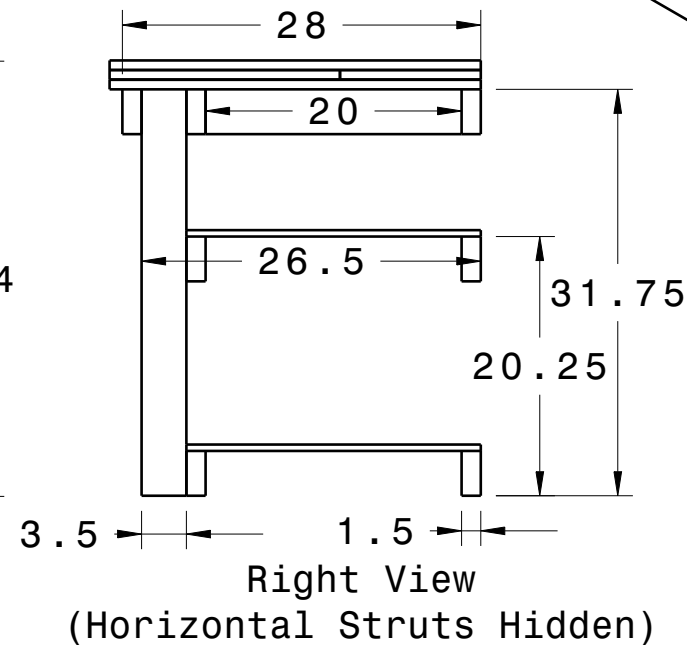
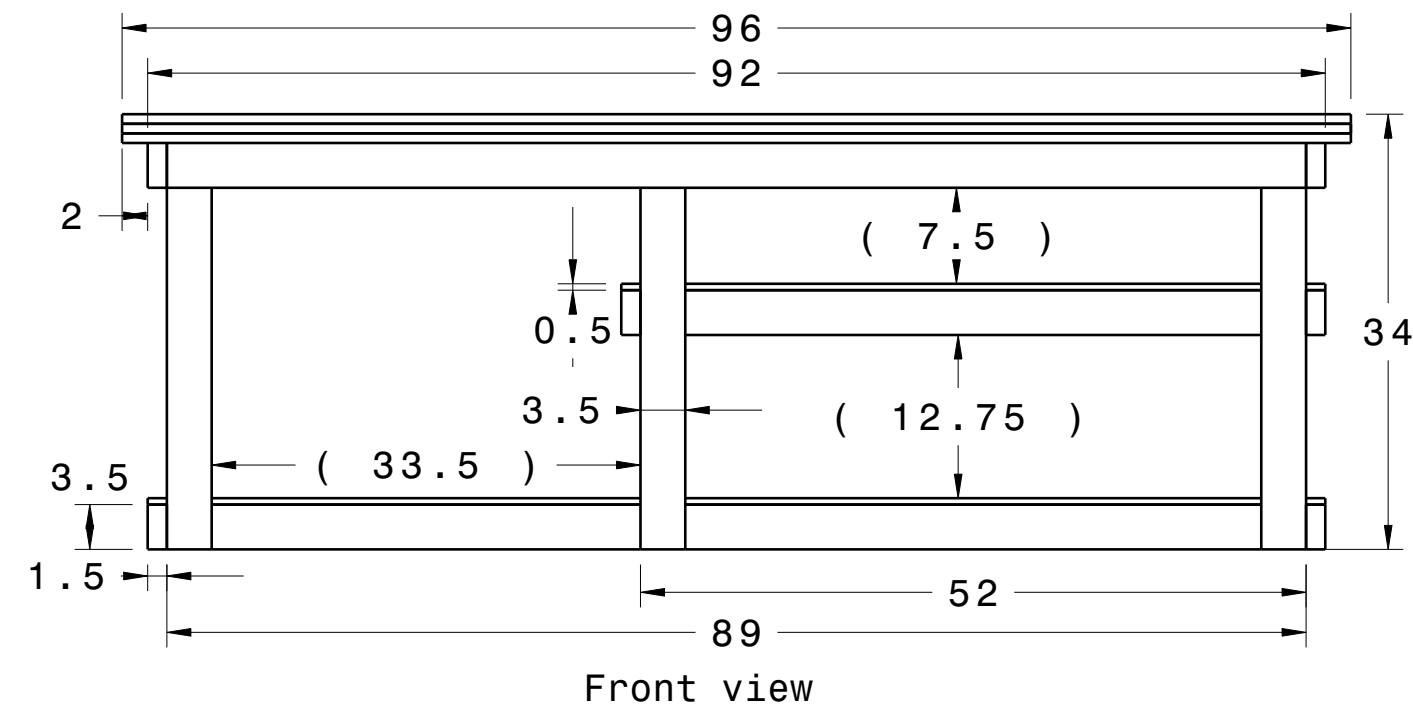
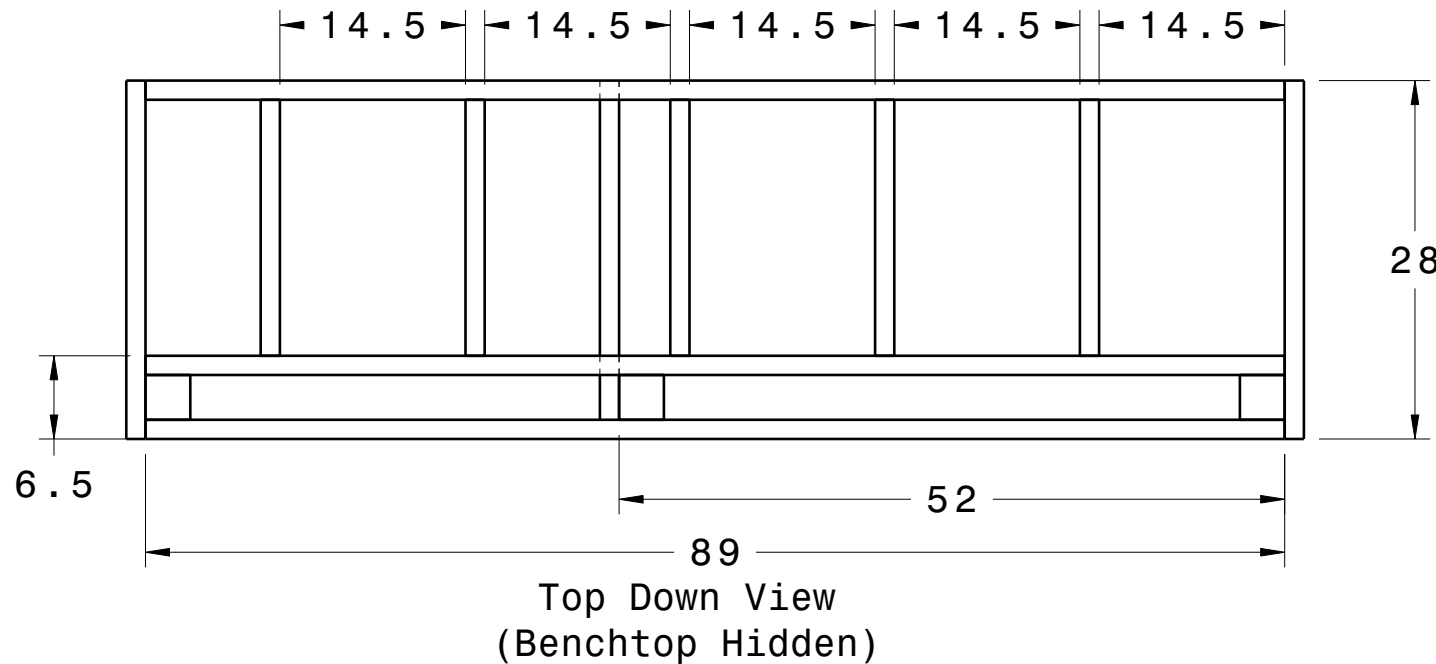


Print on 11"x17" paper

Hardware BOM: Workbench	
Qty	Description
6	5/16"x7" Carriage Bolt
6	5/16"x7" Nut
6	5/16"x7" Fender Washer
Box	2.5" #8/10 Wood Screws
Small Box	1" #6 Wood Screws
Small Box	1.5" #6 Wood Screws
1 Can	Clear Shellac
1 Brush	Roller will also work
1 Bottle	Standard Wood Glue

Raw Material BOM: Workbench		
Qty	Description	Notes
10	Dimensional 2"x4"x8'	Pick nice straight unwarped boards with clean ends.
1	Dimensional 4"x4"x8'	
1	Plywood Sheet 4'x8'x.5"	
2	MDF Sheet 4'x8'x.75"	Inspect edges for damage.
1	Hardwood 9'x.75"x>2.25"	Lowes/HD sell oak by the board foot.
2	Hardwood 3'x.75"x>2.25"	

Finished Dimensions BOM: Workbench			
F/N	Qty	Dimensions	Material
1	5	89"x2"x4"	Dimensional*
2	4	26.5"x2"x4"	Dimensional*
3	5	20"x2"x4"	Dimensional*
4	2	28"x2"x4"	Dimensional*
5	2	52"x2"x4"	Dimensional*
6	3	31.5"x4"x4"	Dimensional*
7	1	55"x.5"x23"	Plywood
8	1	92"x.5"x23"	Plywood
9	2	96"x.75"x29"	MDF
10	1	96"x.75"x11"	MDF
11	1	96"x.75"x18"	MDF
12	1	97.5"x.75"x2.25"	Hardwood
13	2	29.75"x.75"x2.25"	Hardwood



*Note "Dimensional" lumber is approximately 1.5"x3.5" or 3.5"x3.5"