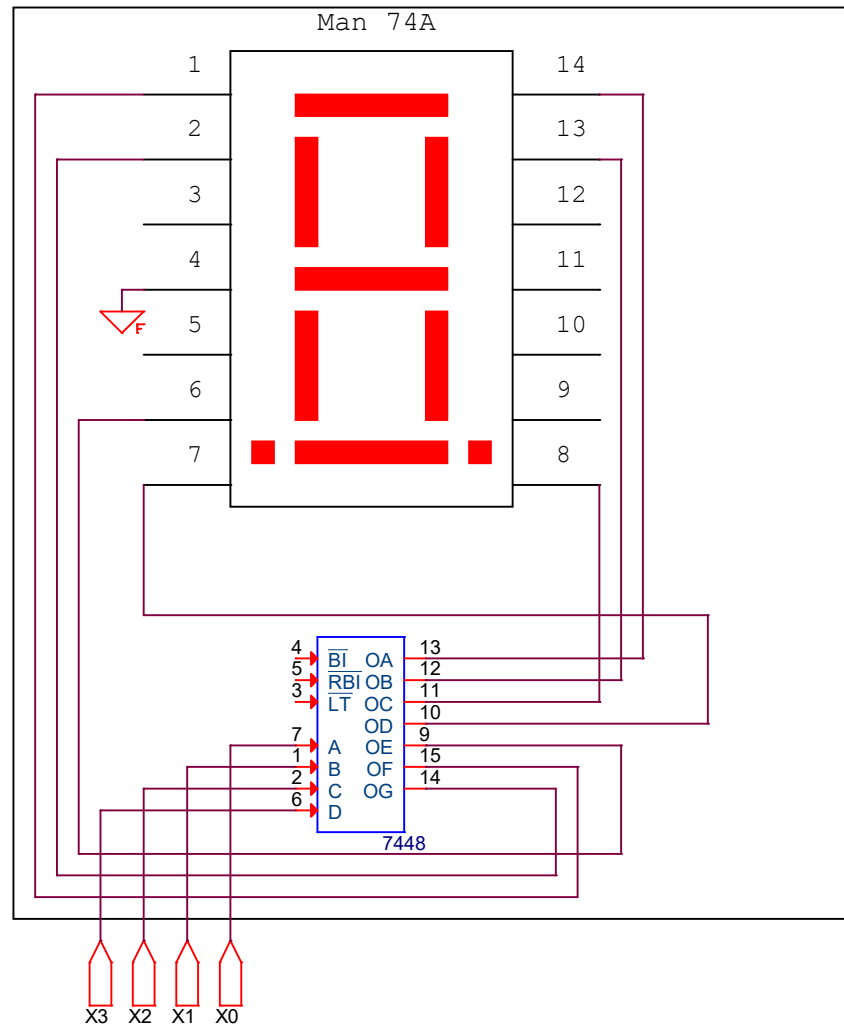
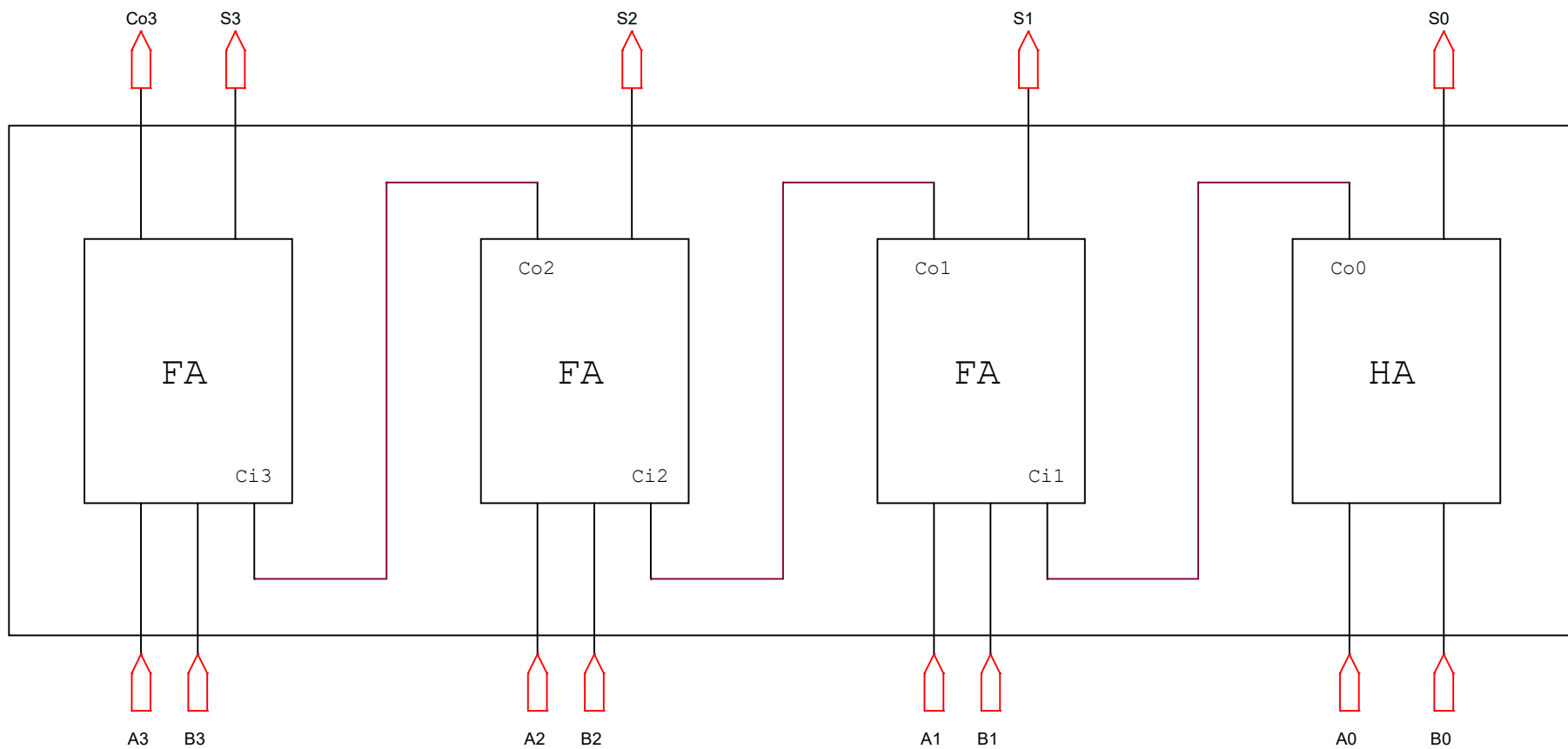


Title		
4-Bit Adding Circuit With Results Display Block Diagram		
Size	Document Number	Rev
A	4-Bit Adding Circuit With Results Display	0
Date:	Monday, July 22, 2019	Sheet 1 of 7

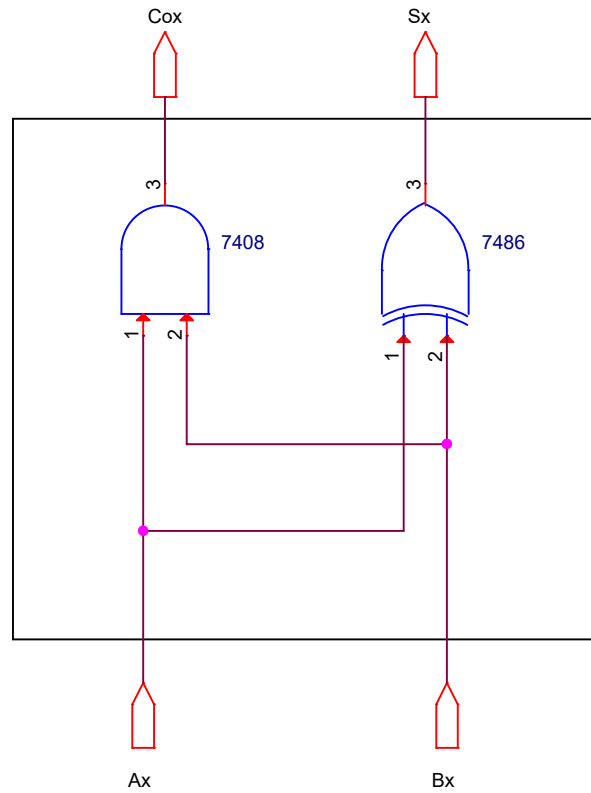


Note: Connect the VCC pins to 5V and GND pins to ground.

Title		
Seven Segment Display And Driver		
Size	Document Number	Rev
A	4-Bit Adding Circuit With Results Display	0
Date:	Tuesday, July 23, 2019	Sheet 2 of 7



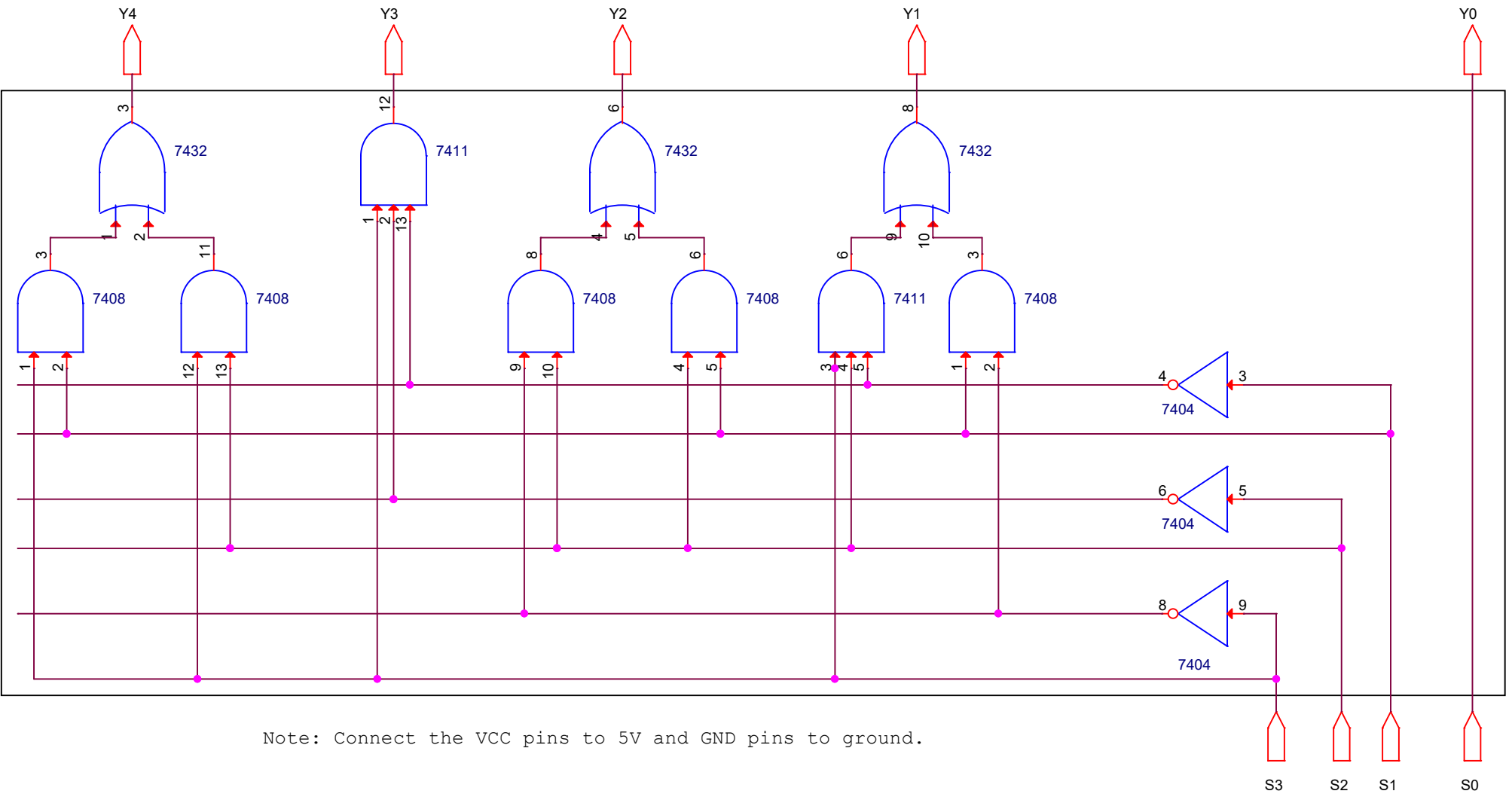
Title		
4-Bit Adder Block Diagram		
Size	Document Number	Rev
A	4-Bit Adding Circuit With Results Display	0
Date:	Monday, July 22, 2019	Sheet 3 of 7



Note: Connect the VCC pins to 5V and GND pins to ground.

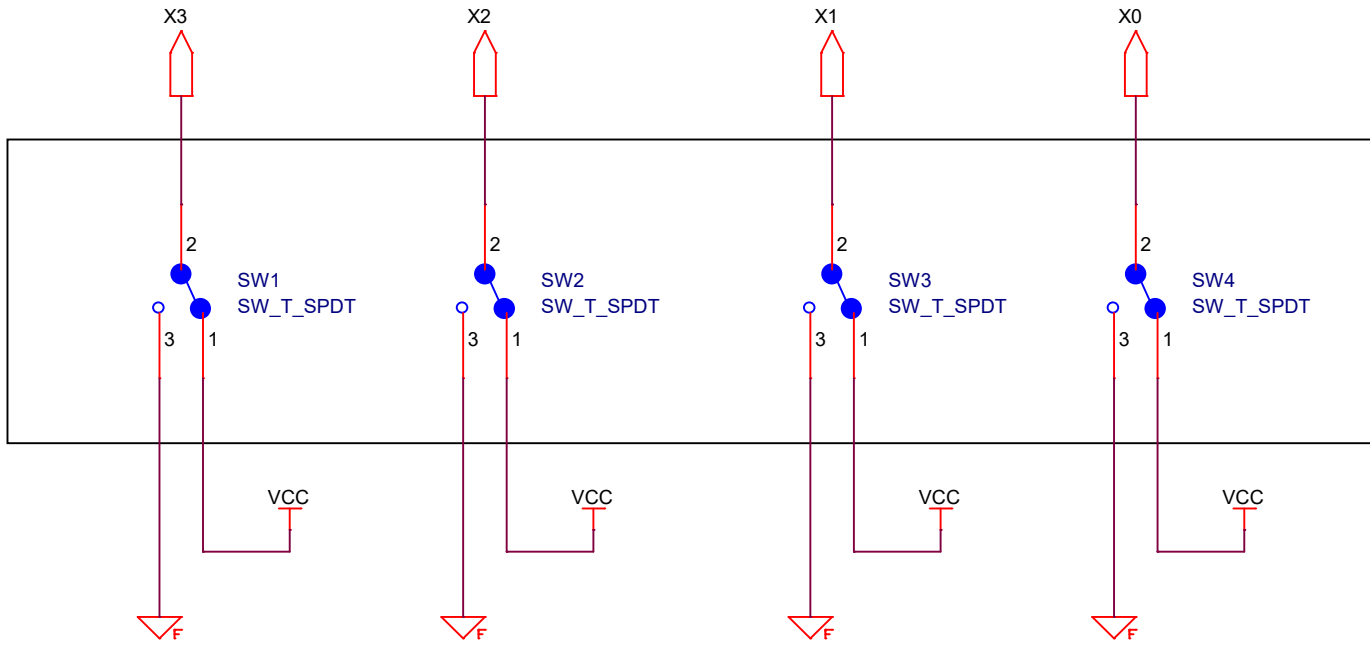
Title		
Half-Adder (HA) Circuitry		
Size	Document Number	Rev
A	4-Bit Adding Circuit With Results Display	0
Date:	Monday, July 22, 2019	Sheet 4 of 7





Note: Connect the VCC pins to 5V and GND pins to ground.

Title		
Binary-To-BCD Converter		
Size	Document Number	Rev
A	4-Bit Adding Circuit With Results Display	0
Date:	Monday, July 22, 2019	Sheet 6 of 7



Title		
Input Switching Circuit		
Size	Document Number	Rev
A	4-Bit Adding Circuit With Results Display	0
Date:	Monday, July 22, 2019	Sheet 7 of 7