

Title *		* * * *		
Size: A4	Number:*			Revision:*
Date: 1/9/2019	Time: 11:25:02 PM Sheet* of *			
File: D:\Google\Altium\My altium projects\Firm - Akvárium Kontroller\Altium\ControlBox\DAC.SchDoc				

A

A

B

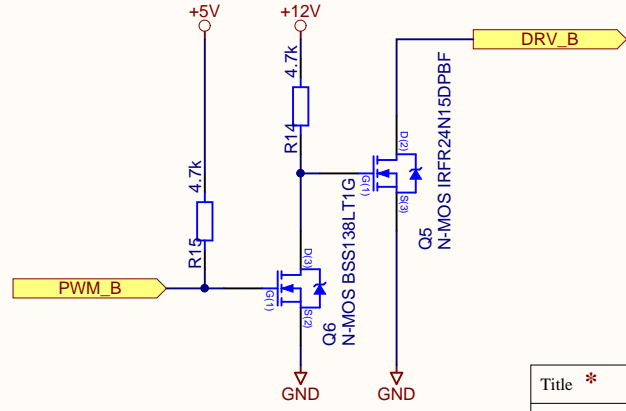
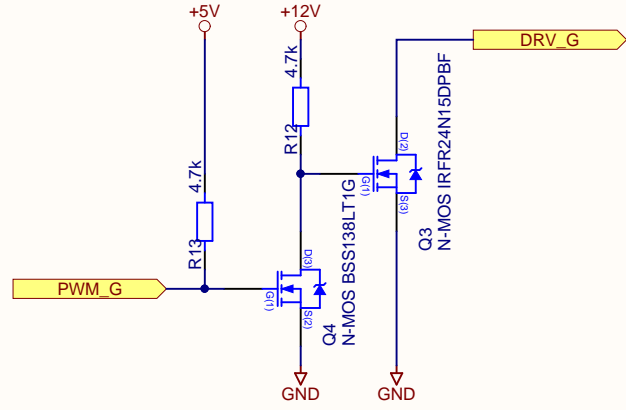
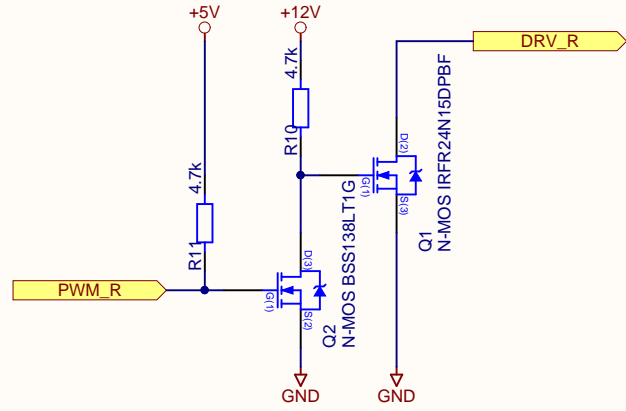
B

C

C

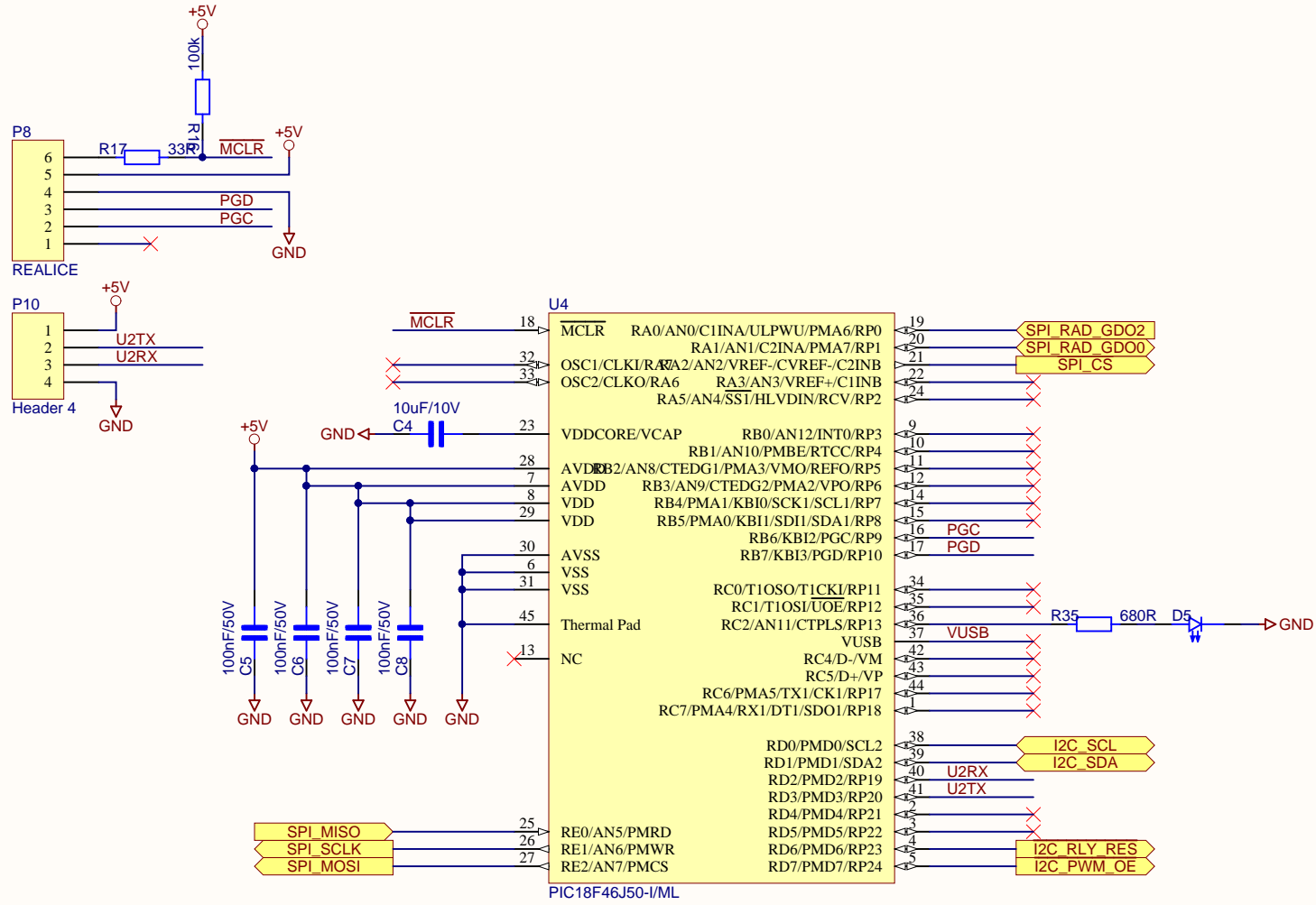
D

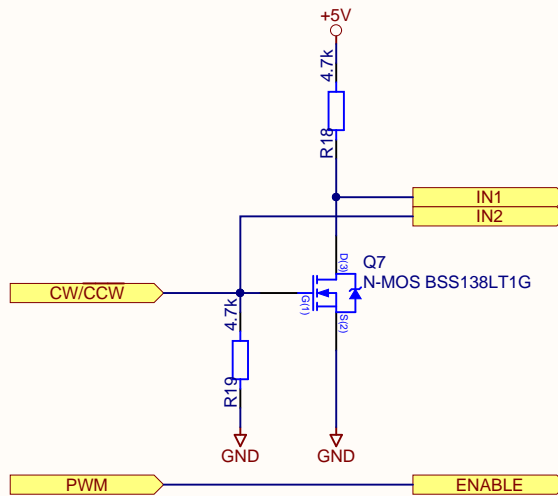
D



Title *		* * * * *
Size: A4	Number:*	
Date: 1/9/2019	Time: 11:25:02 PM Sheet* of *	
File: D:\Google\Altium\My altium projects\Firm - Akvárium Kontroller\Altium\ControlBox\LED Drivers.SchDoc		







Title *		* * * *
Size: A4	Number:*	
Date: 1/9/2019	Time: 11:25:02 PM Sheet* of *	
File: D:\Google\Altium\My altium projects\Firm - Akvárium Kontroller\Altium\ControlBox\Motor Drivers.SchDoc		



