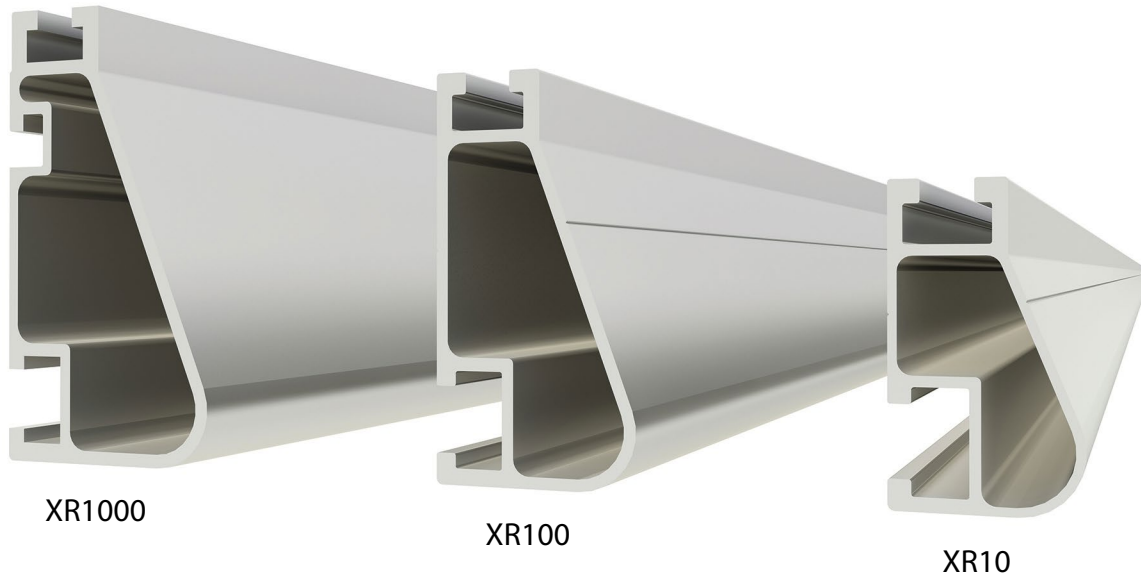


XR Rail



Item Number	Description	Item Number	Description
XR-1000-132A	XR1000, Rail 132" (11 Feet) Clear	XR-10-132A	XR10, Rail 132" (11 Feet) Clear
XR-1000-168A	XR1000, Rail 168" (14 Feet) Clear	XR-10-132B	XR10, Rail 132" (11 Feet) Black
XR-1000-204A	XR1000, Rail 204" (17 Feet) Clear	XR-10-168A	XR10, Rail 168" (14 Feet) Clear
XR-100-132A	XR100, Rail 132" (11 Feet) Clear	XR-10-168B	XR10, Rail 168" (14 Feet) Black
XR-100-132B	XR100, Rail 132" (11 Feet) Black	XR-10-204A	XR10, Rail 204" (17 Feet) Clear
XR-100-168A	XR100, Rail 168" (14 Feet) Clear	XR-10-204B	XR10, Rail 204" (17 Feet) Black
XR-100-168B	XR100, Rail 168" (14 Feet) Black		
XR-100-204A	XR100, Rail 204" (17 Feet) Clear		
XR-100-204B	XR100, Rail 204" (17 Feet) Black		

The XR Rail Family offers the strength of a curved rail in three targeted sizes. Each size supports specific design loads, while minimizing material costs. Depending on your location, there is an XR Rail to match. XR1000 is a heavyweight among solar mounting rails. It's built to handle extreme climates and spans 12 feet or more for commercial applications. XR100 is the ultimate residential mounting rail. It supports a range of wind and snow conditions, while also maximizing spans. XR10 is a sleek, low-profile mounting rail, perfectly matched to regions with light or no snow. It achieves 6 foot spans, while also staying light and economical.