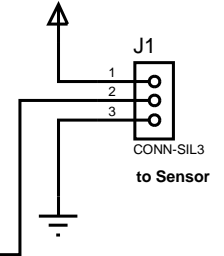
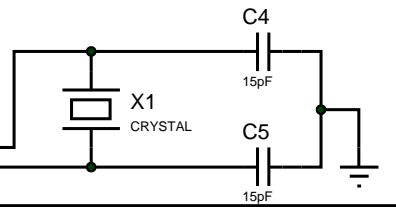
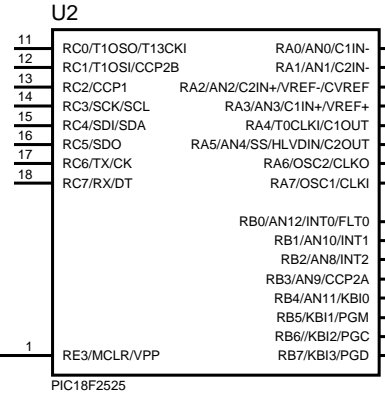
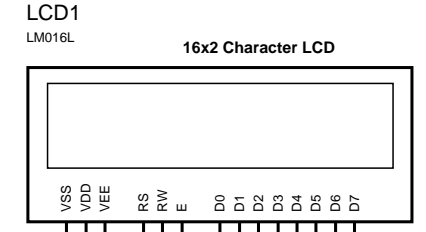
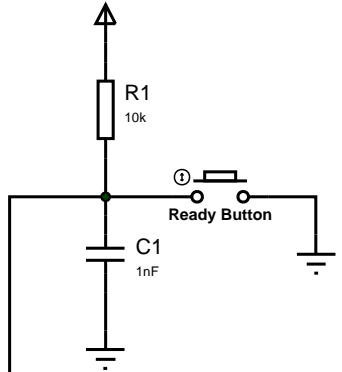
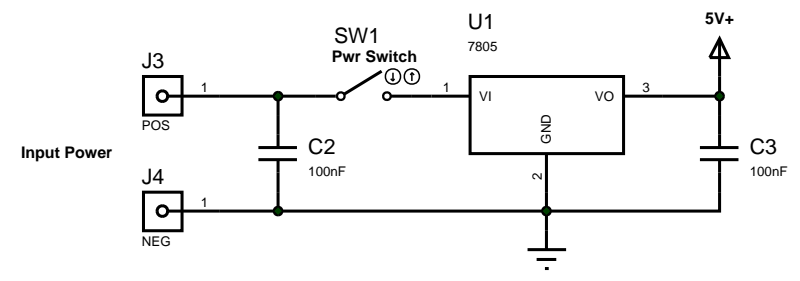


Camera shutter
placed between
LED and photodiode



FILE NAME:	design1_final.DSN	DATE:	6/11/2011
DESIGN TITLE:	Photogate Timer Device	PAGE:	1 of 1
PATH:	M:\PIC\Photogate timer with LCD\design1_final.DSN	REV:	<NONE>
BY:	<NONE>	REV:	<NONE>
		TIME:	10:57:35 AM