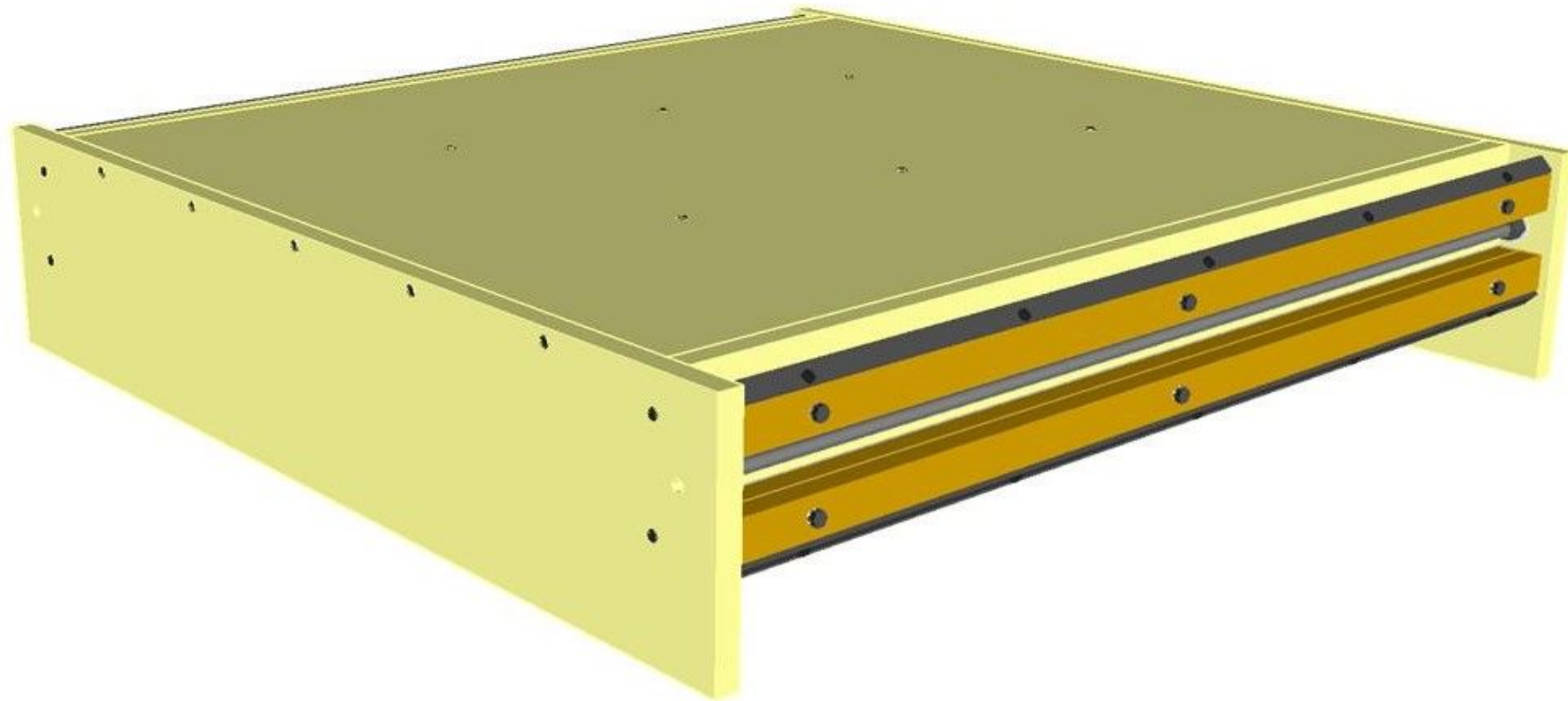
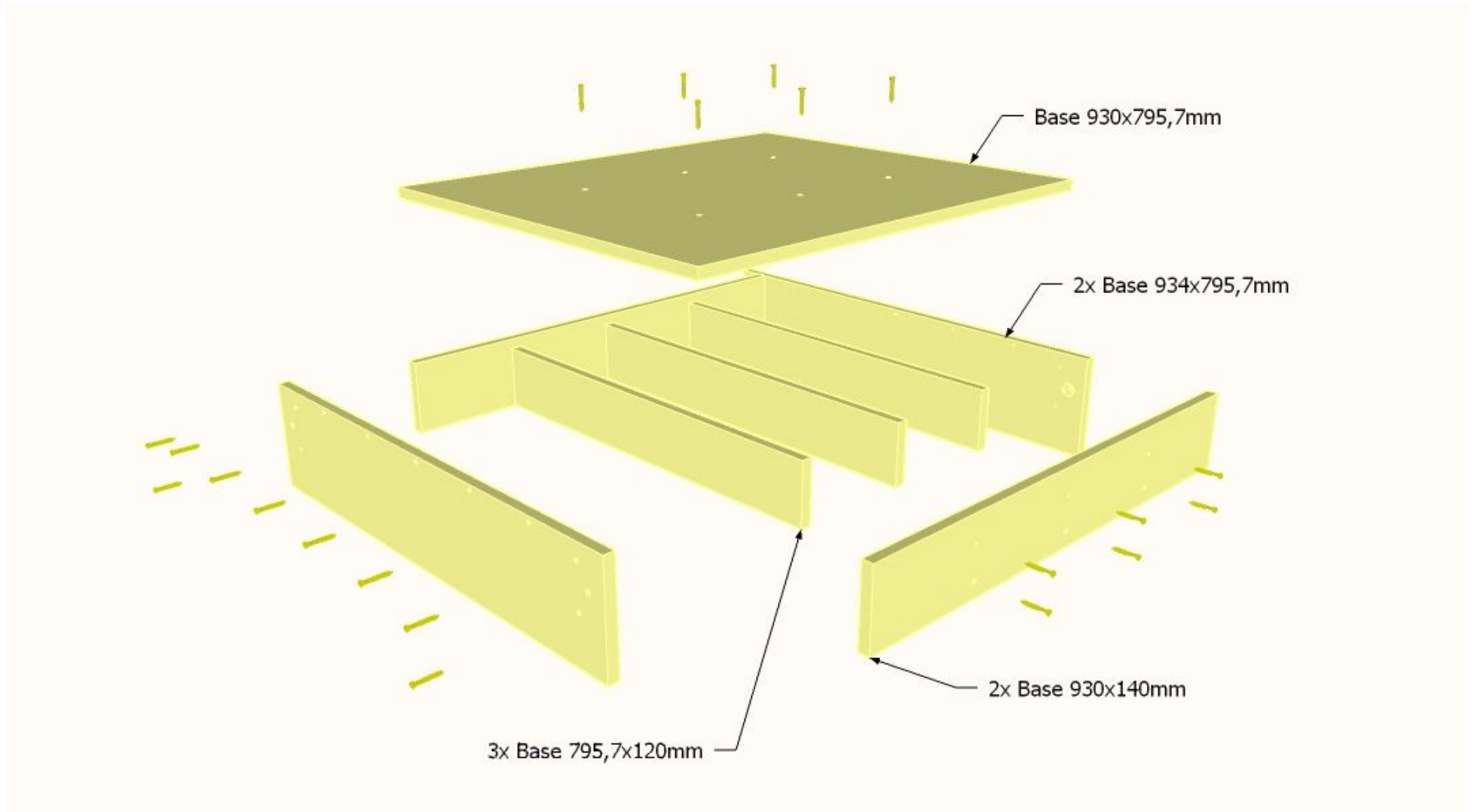


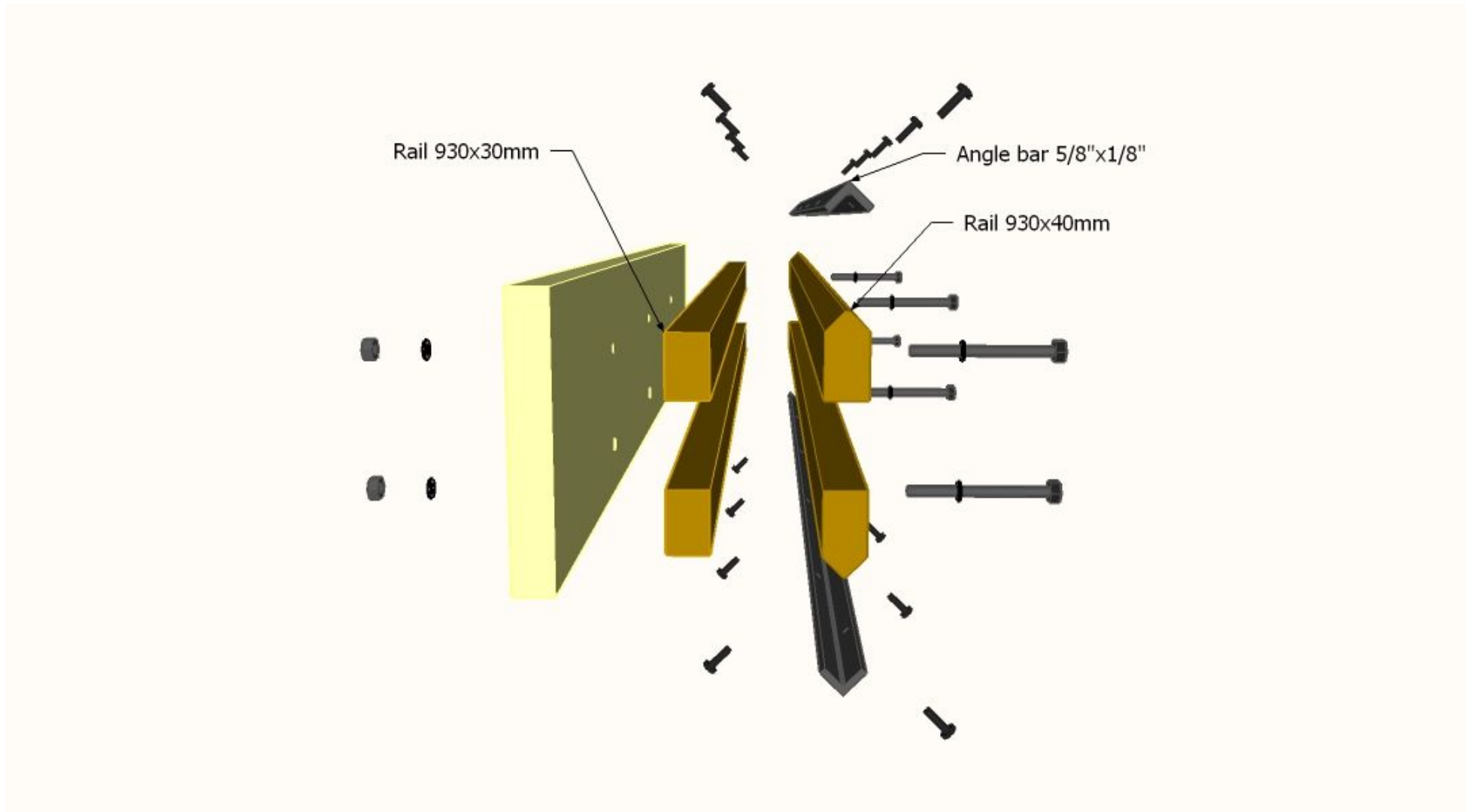
Base



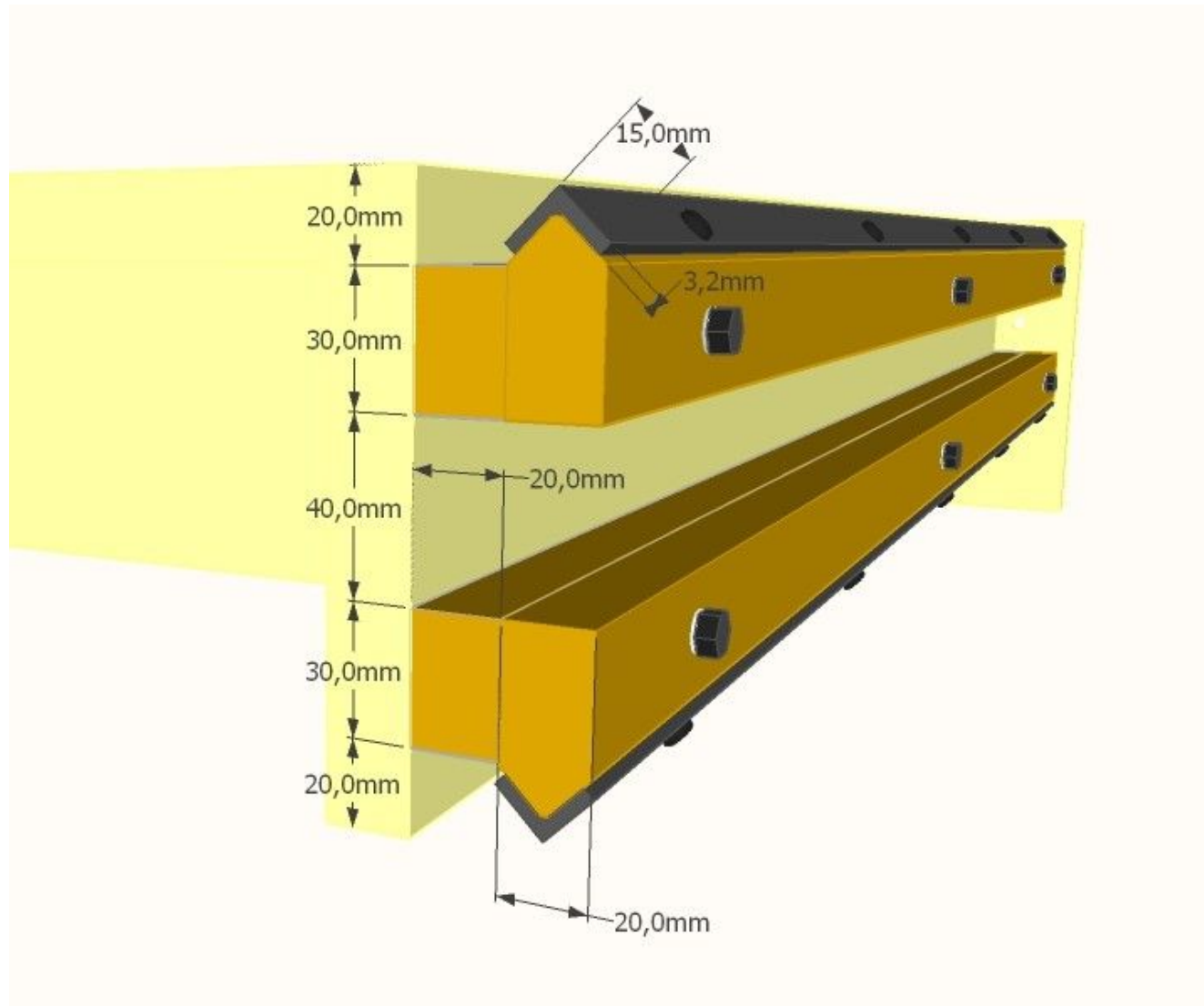
Base exploded view



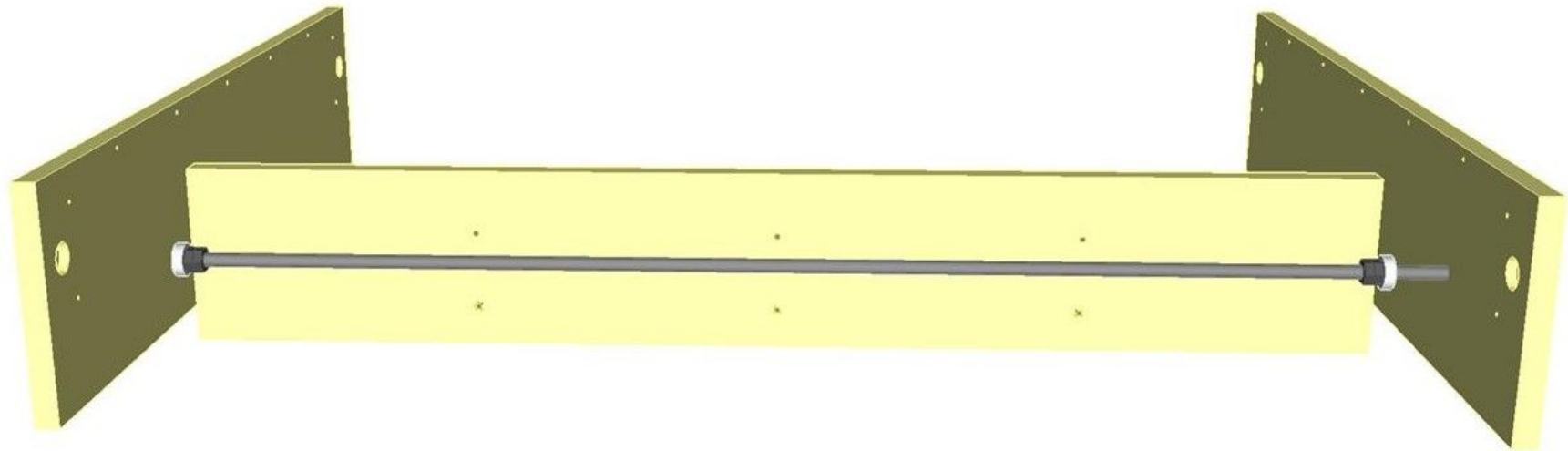
Rail exploded view



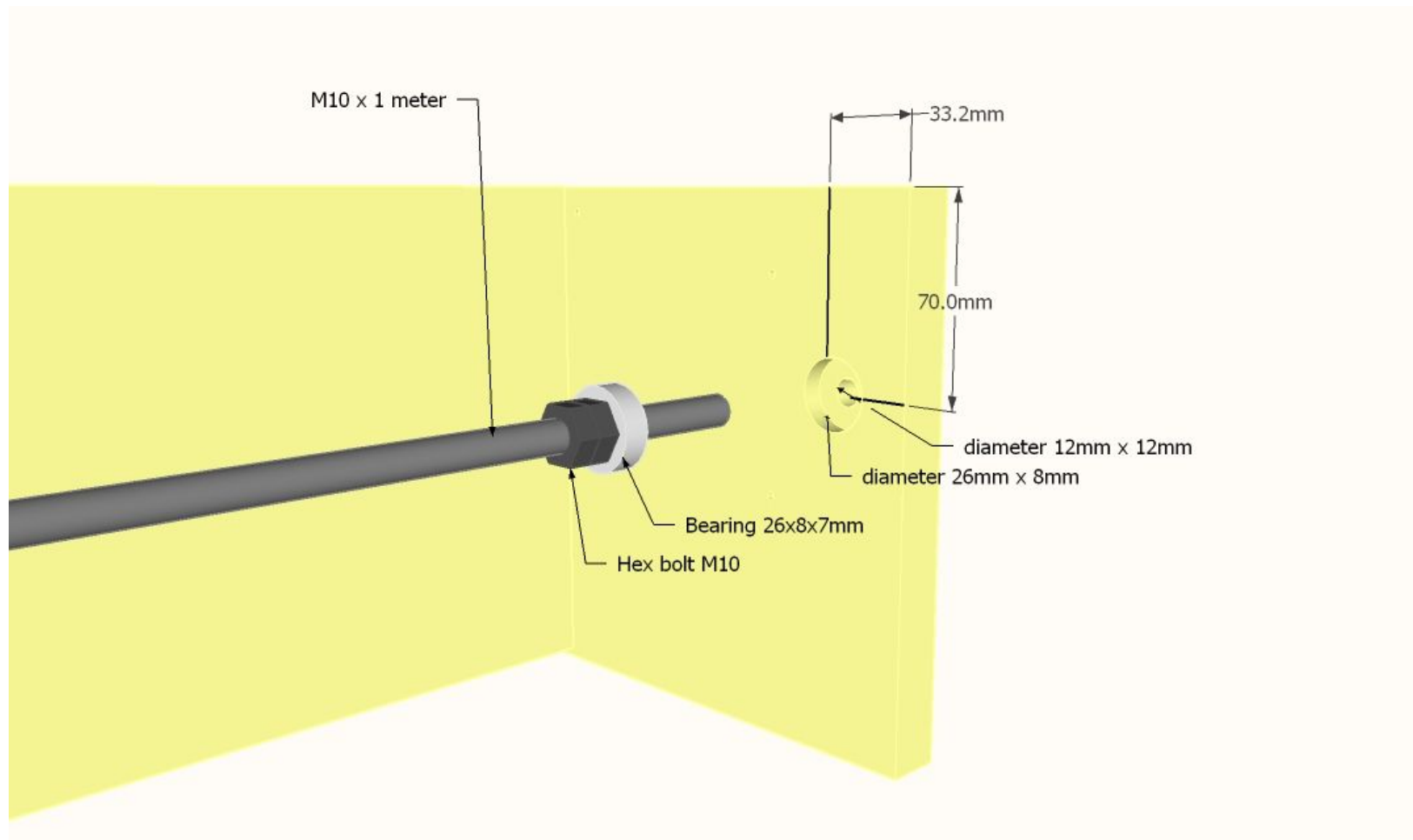
Rail dimensions view



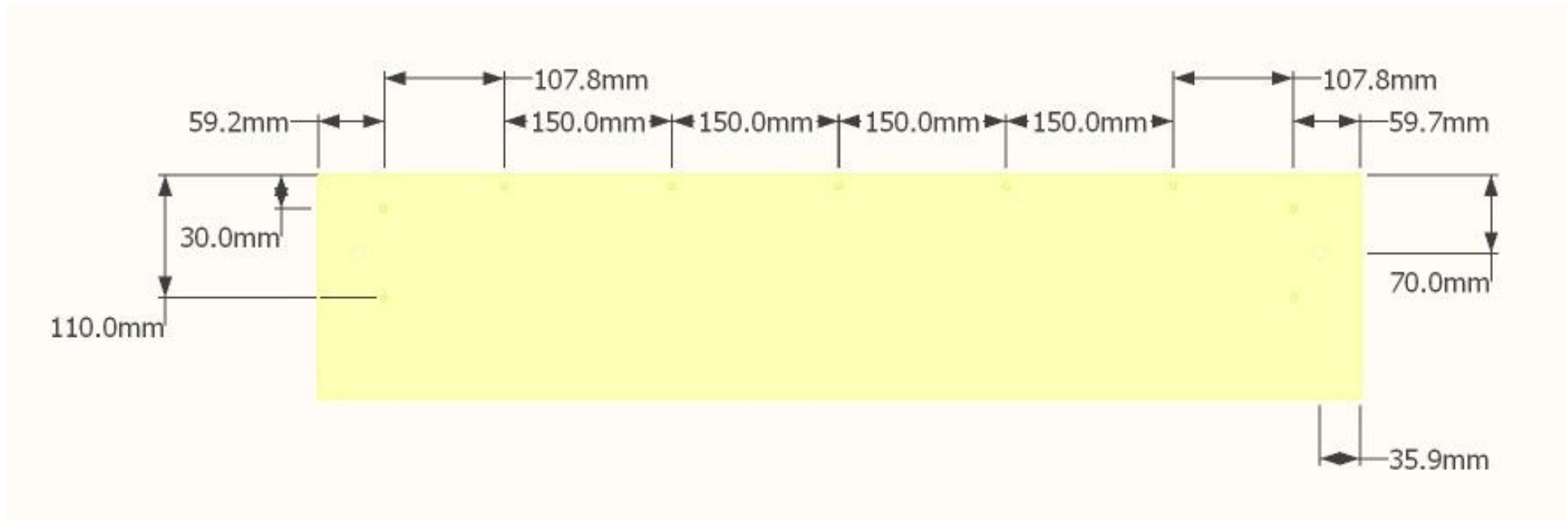
Y-Axis (Long screw)



Y-Axis

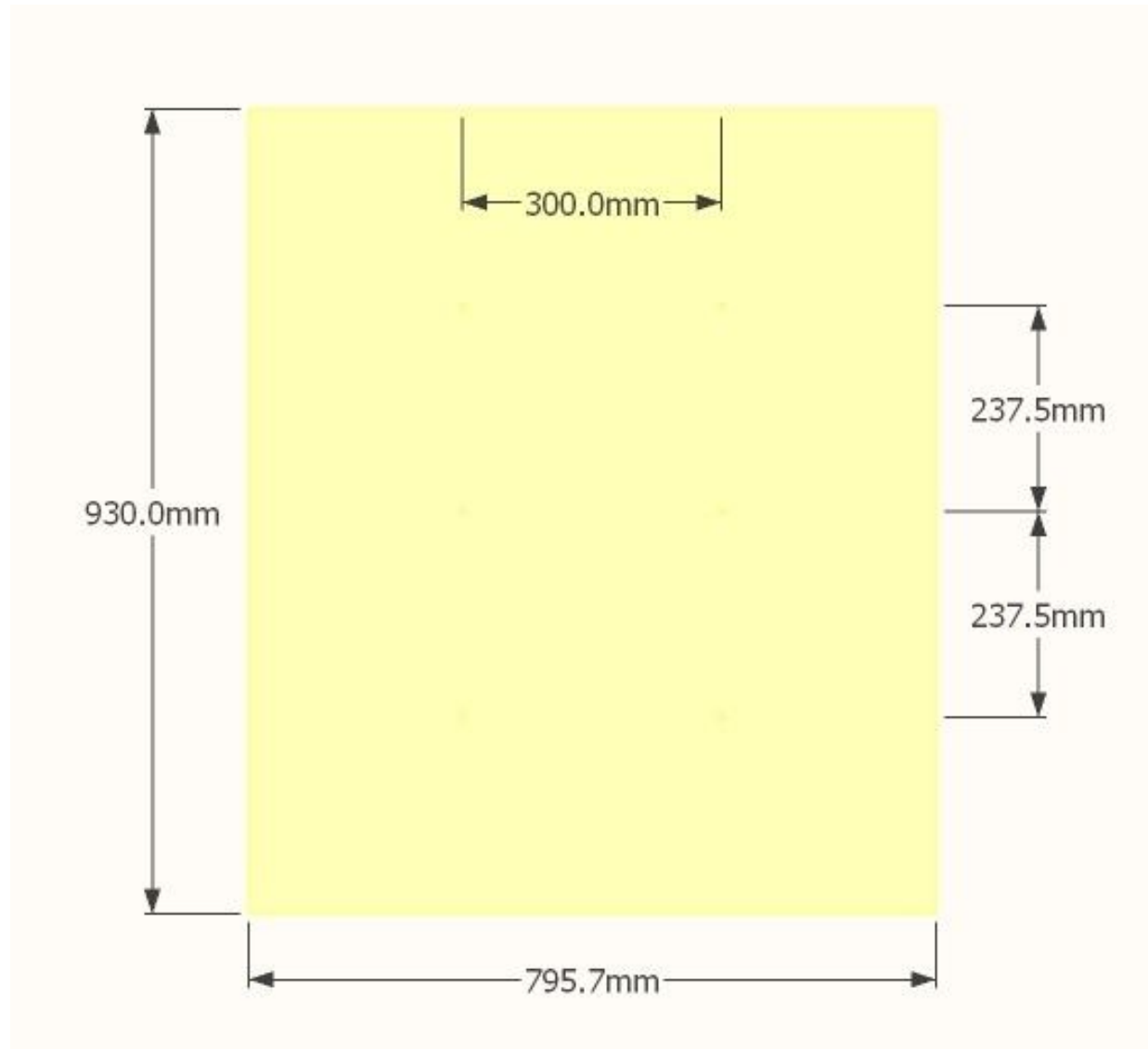


Base 934x200mm

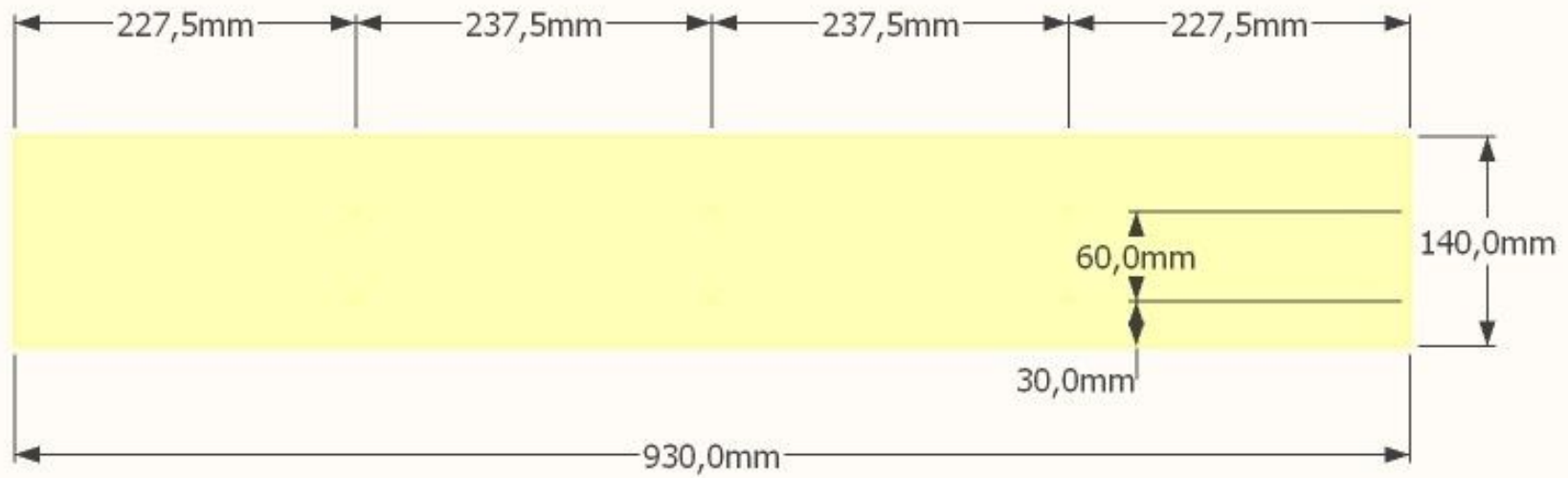


Base 930x795,7mm





Base 795,7x140mm



Base 795,7x120mm

