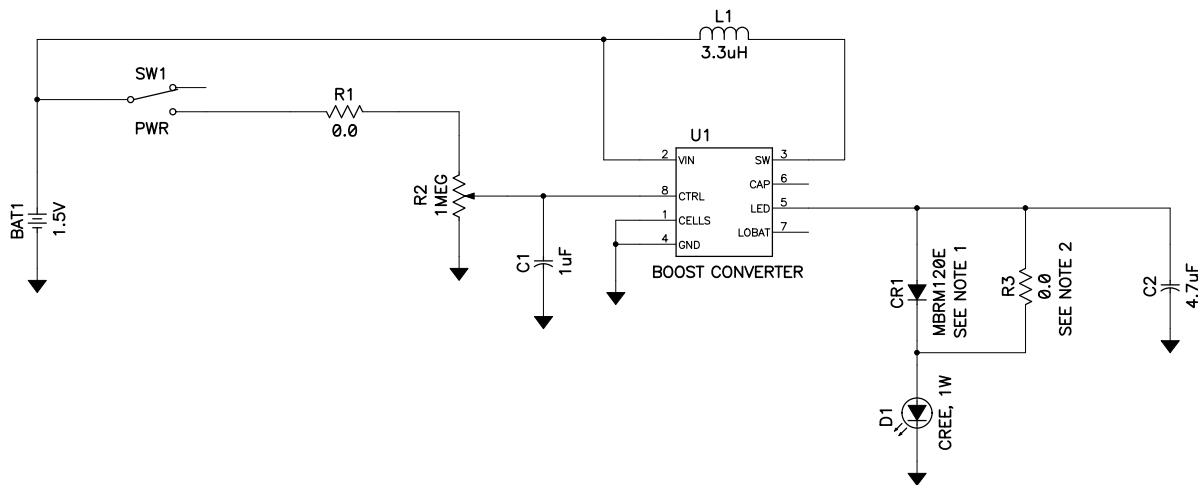


www.EasternVoltageResearch.com

REVISIONS

LTR	DESCRIPTION	ZONE	ENG	DWG	DATE	APPROVED
-	INITIAL RELEASE		DHM		05.22.12	



NOTES:

1. IF USING A WHITE LED, DO NOT INSTALL CR1 AND INSTALL A ZERO OHM RESISTOR AT R3 LOCATION.
2. IF USING A RED LED, INSTALL SCHOTTKY DIODE MBRM120E AT CR1 LOCATION AND REMOVE ZERO OHM RESISTOR FROM R3 LOCATION.

ELECTRONIC KITS LIMIT OF LIABILITY

OUR RANGE OF ELECTRONICS KITS ARE INTENDED FOR EDUCATIONAL AND DEMONSTRATION PURPOSES ONLY. THEY ARE NOT INTENDED FOR USE IN COMMERCIAL APPLICATIONS. IF THEY ARE USED IN SUCH APPLICATIONS, THE PURCHASER ASSUMES ALL RESPONSIBILITY FOR ENSURING COMPLIANCE WITH LOCAL LAWS. WHEN A PRODUCT IS SUPPLIED IN KIT FORM AND ASSEMBLY OR CONSTRUCTION HAS COMMENCED OR THE INNER COMPONENT PACKAGES HAVE BEEN OPENED, WE ARE UNABLE TO OFFER ANY FORM OF REFUND, REPLACEMENT, EXCHANGE, OR FREE REPAIR. THIS IS BECAUSE WE CANNOT GUARANTEE THE LABOR YOU PROVIDE AND COMPONENTS CAN BE DAMAGED DURING ASSEMBLY. COMPONENT PACKAGES SHOULD BE CHECKED AGAINST THE COMPONENTS LIST AND ANY SHORTAGES OR DAMAGED COMPONENTS MUST BE ADVISED TO US WITHIN 7 DAYS OF DELIVERY DATE TO ENSURE FREE COMPONENT PLACEMENT.

TITLE					
JOULE THIEF 3.0 KIT EASTERN VOLTAGE RESEARCH, LLC www.EasternVoltageResearch.com					
SIZE A	CAGE CODE IDENT NO.	DWG NO. SC2095	REV -		
SCALE NTS	ACT WT	CALC WT	SHEET 1 OF 1		