

MICRO ELECTRONICS

MSGBB557TA
HIGH BRIGHTNESS SEVEN COLOR BLINKING LED LAMP

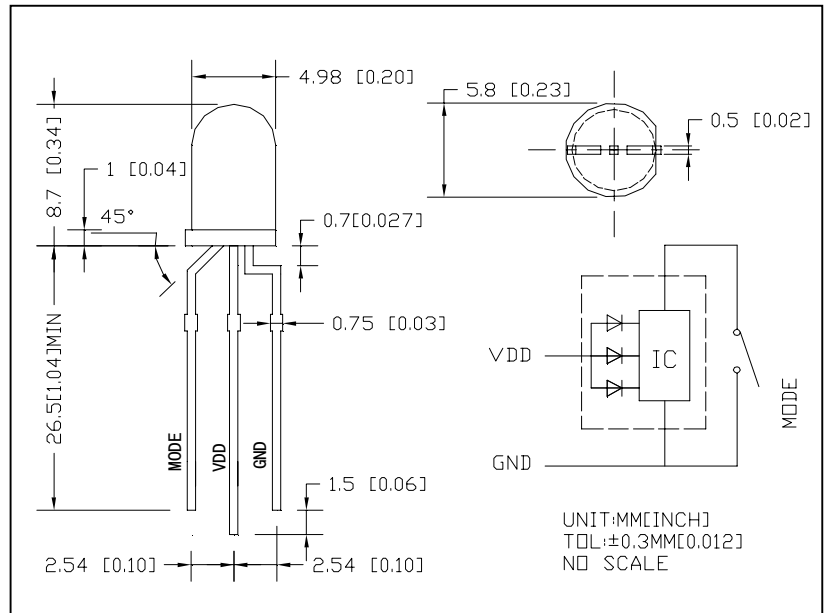
DESCRIPTION

The MSGBB557TA is a 5mm LED with transparent lens having features of single, mix color lighting and blinking.

* One-shot-slow light up and fade then blink

* On/off key -Color change control: R,G,B,RG,GB,RB,RGB.

* Auto start one-shot function when power on.



ABSOLUTE MAXIMUM RATINGS

Operating Temperature Range

-20 to +80°C

Storage Temperature Range

-30 to +100°C

Lead Soldering Temperature (1/16" from body)

260°C for 5 sec.

ELECTRO-OPTICAL CHARACTERISTICS (Ta=25°C)

PARAMETER	SYMBOL	MIN	TYP	MAX	UNIT	CONDITIONS
Operating Voltage	Vopr	2.5	3.2	3.5	V	
Luminous Intensity	IV	200	250		mcd	Vopr=3.2V DC
	RED					
	GREEN	420	580		mcd	Vopr=3.2V DC
	BLUE	200	280		mcd	Vopr=3.2V DC
Dominant Wavelength	λ_d		660		nm	Vopr=3.2V DC
	RED					
	GREEN	520	525		nm	Vopr=3.2V DC
	BLUE	465	470		nm	Vopr=3.2V DC
Static Current	I _{SB}		1	5	μA	Vopr=3.2V DC
Peak Current(1/24 duty cycle)	ICM	10	35		mA	Vopr=3.2V DC
Flashing Rate		0.6	1.0	1.8	Hz	Vopr=3.2V DC
Viewing Angle	2θ 1/2		20		degree	Vopr=3.2V DC

CAUTION

REV:A

*Reverse voltage will damages the LED .

*Static eletricity and surge damages the LED ,It is recommended to use a wrist band or anti-eleetrostatic glove when handling the LED . All devices,equipment and machinery must be properly grounded.



MICRO ELECTRONICS LTD.

美科有限公司

7/F, Enterprise Square Three, 39 Wang Chiu Road, Kowloon Bay, Kowloon, Hong Kong.

TEL: (852) 23430181 FAX: (852) 23410321

HOME PAGE: <http://www.microelectr.com.hk>

10/1/2005