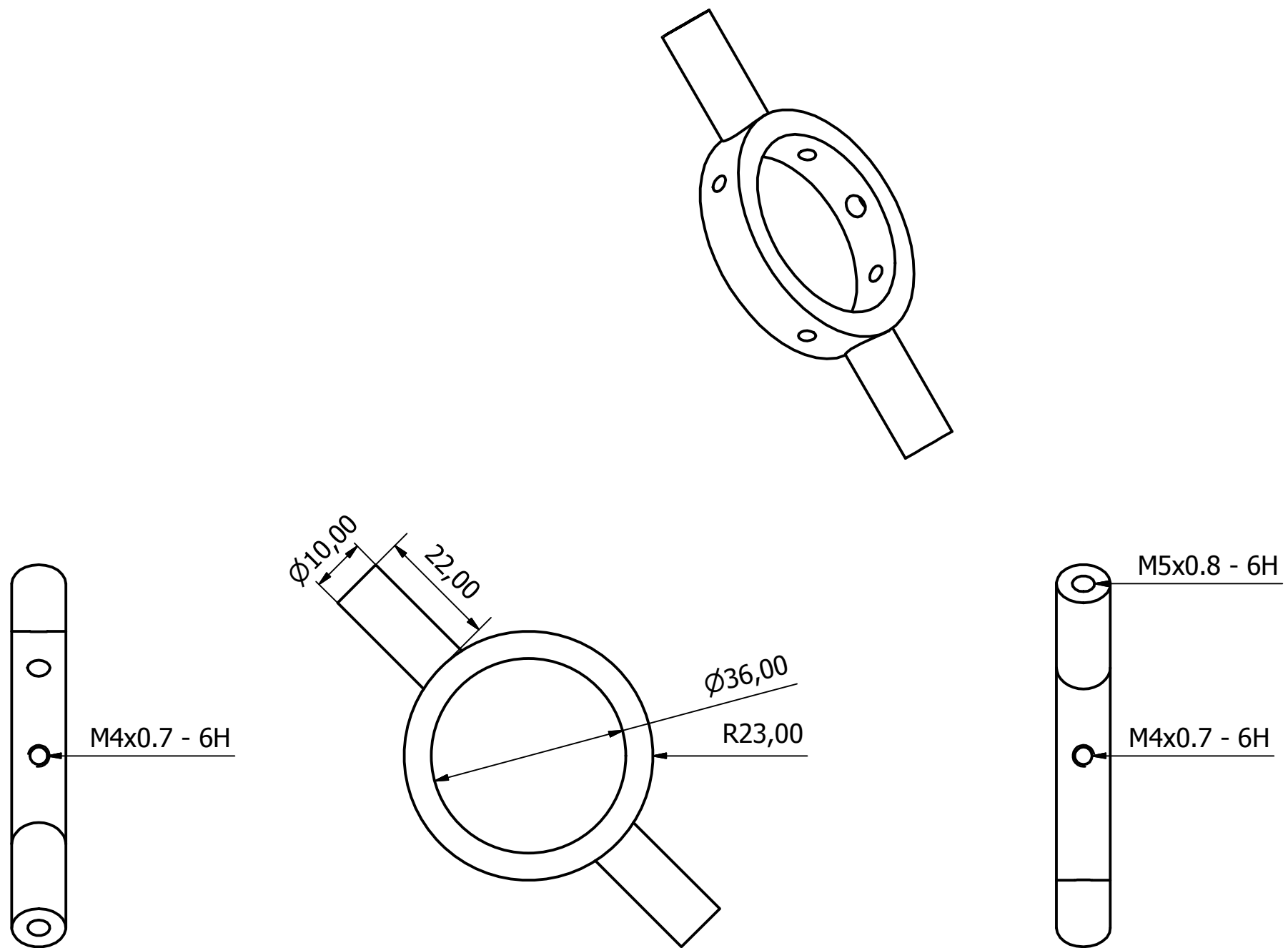


PRODUCED BY AN AUTODESK EDUCATIONAL PRODUCT

PRODUCED BY AN AUTODESK EDUCATIONAL PRODUCT




REVISION HISTORY			
REV	DESCRIPTION	DATE	APPROV
A	INITIAL DESIGN	08/10/2012	JBB

THIS DOCUMENT IN ITS ENTIRETY IS COPYRIGHT BAGNALL DESIGN CORPORATION AND ITS CONTENTS ARE THE INTELLECTUAL PROPERTY OF THE COMPANY. THIS DRAWING REMAINS THE PROPERTY OF BAGNALL DESIGN CORPORATION. NO PART OF THE DOCUMENT MAY BE REPRODUCED FOR, OR CONTENTS REVEALED TO, ANY PERSONS OTHER THAN THE EMPLOYEES OF THE CONCERN RECEIVING THIS DRAWING AND IT IS TO BE RETURNED UPON REQUEST.

Material	Generic	Scale	1 : 1	Drawn	JamieB
Finish	CLEAN DEBURRED	Date	08/10/2012	Checked	

Title	Inner Gimbal		
Drg No.	inner gimbal 2.1	REV	A
		SHEET	1 OF 1
			A3

**BAGNALL DESIGN CORPORATION**  
 E-mail: bagnalldesigncorp@gmail.com  
  
 Bagnall Design Corporation  
 Designing our future

