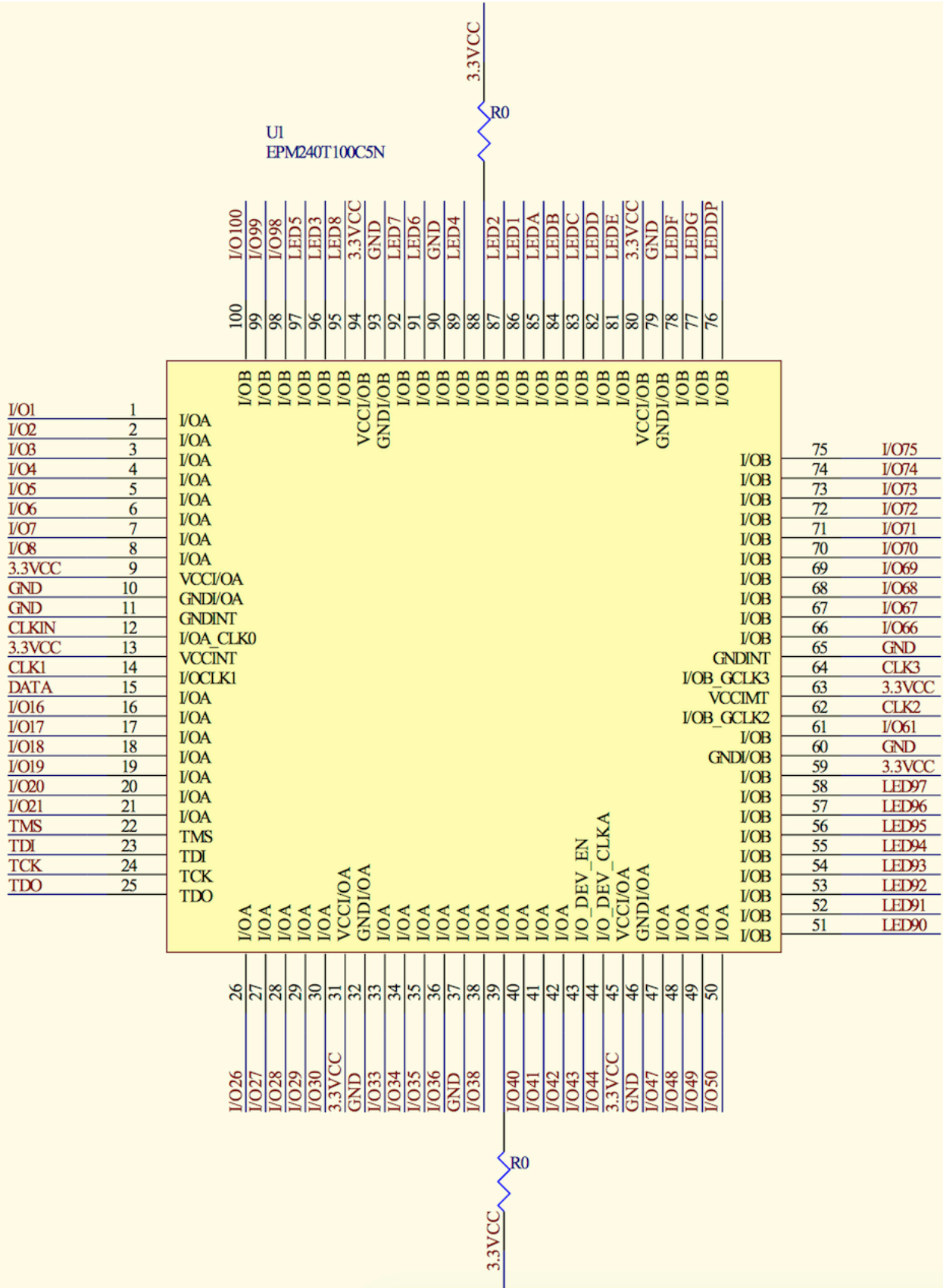
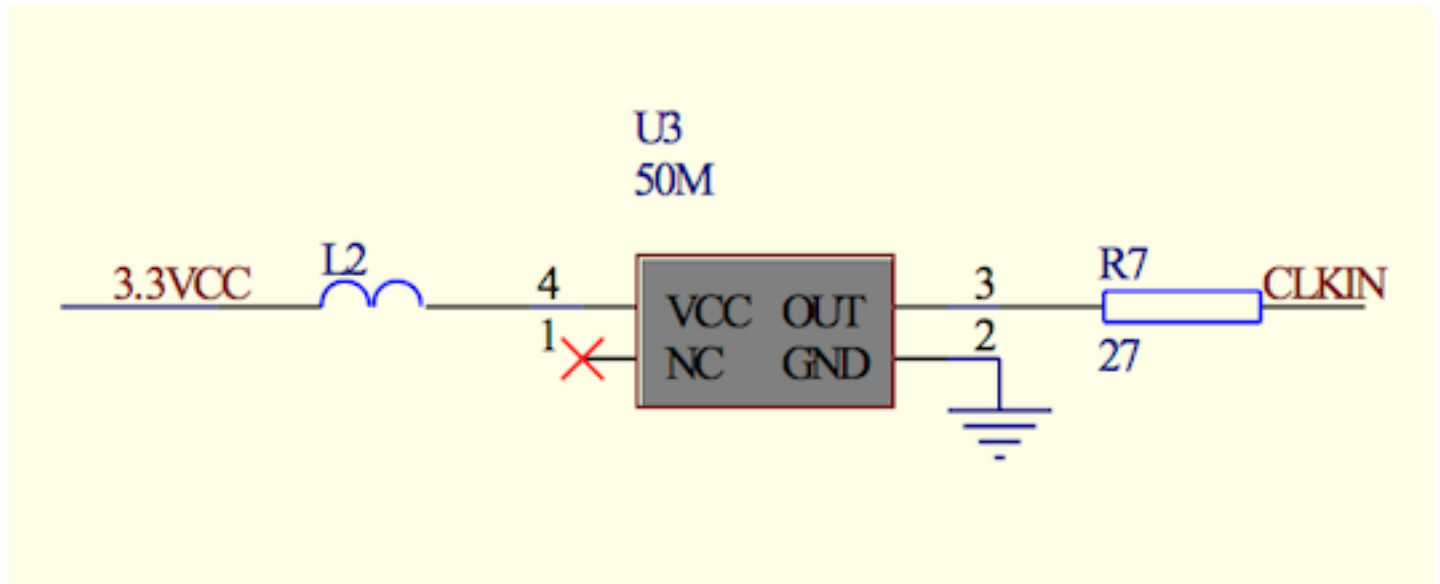


ALTERA MAX II C-M240 Development Board

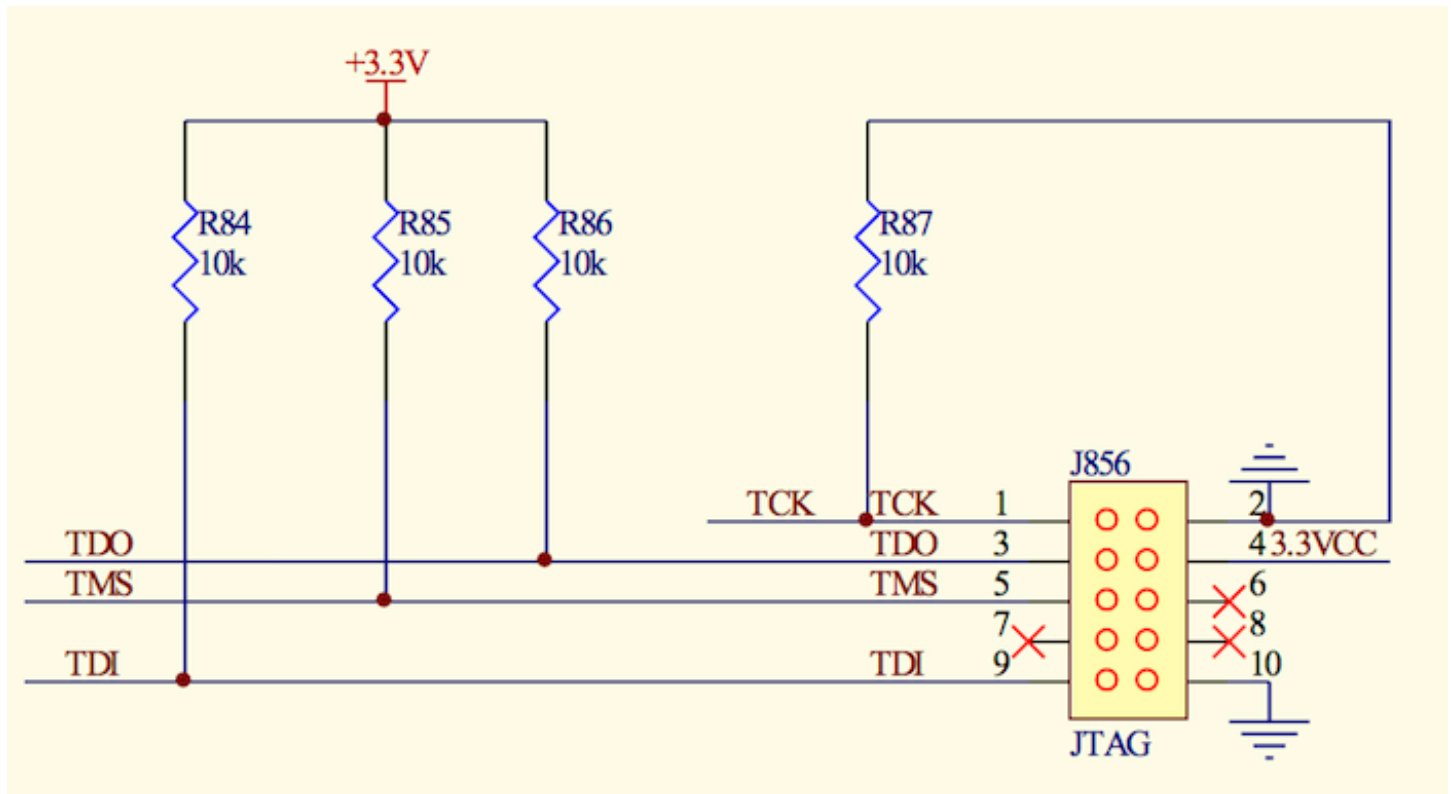


ALTERA MAX II C-M240 Development Board

CRYSTAL OSCILLATOR

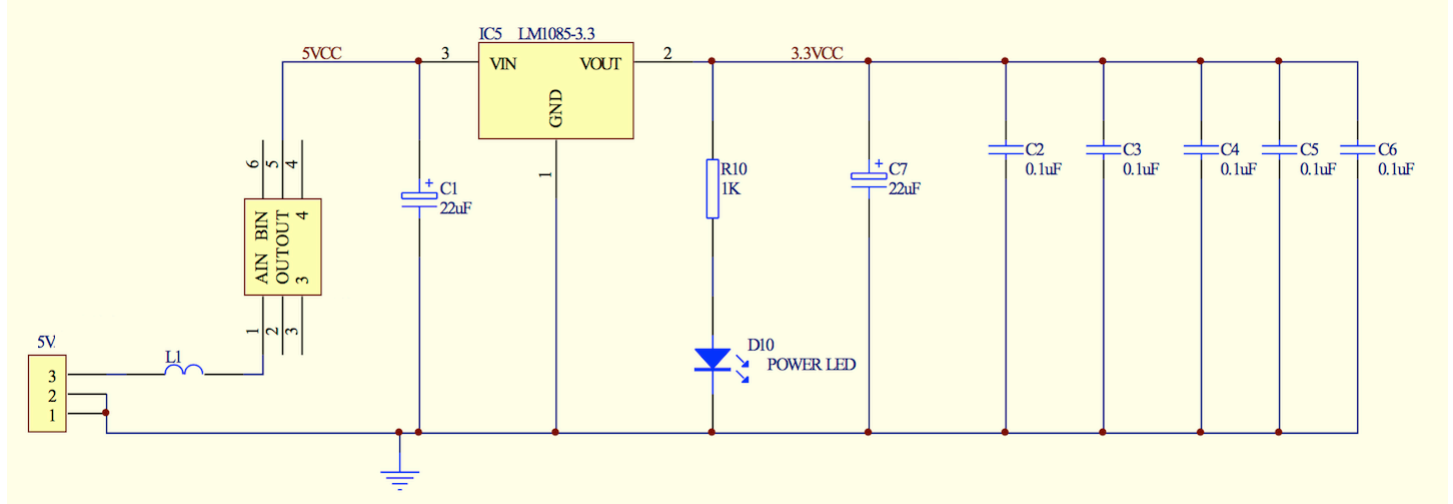


JTAG BLASTER INTERFACE



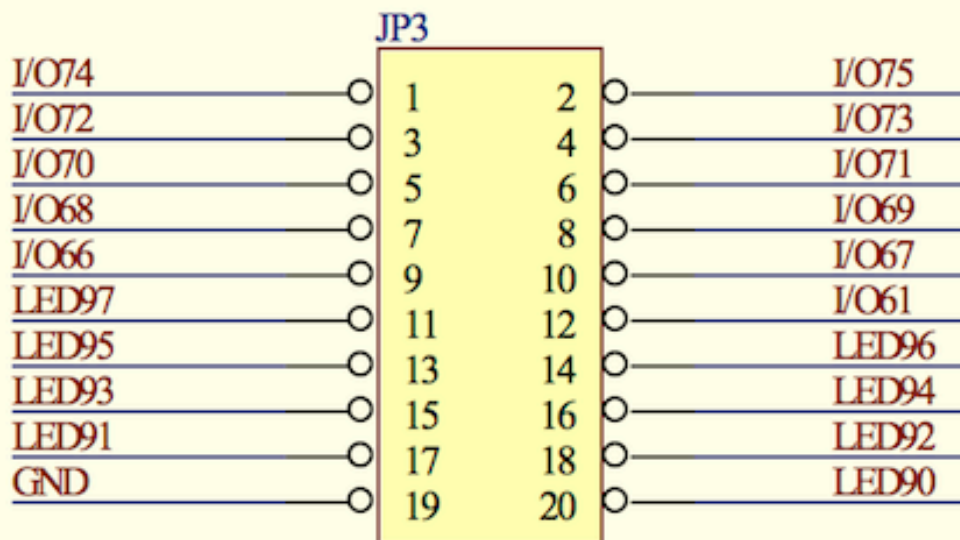
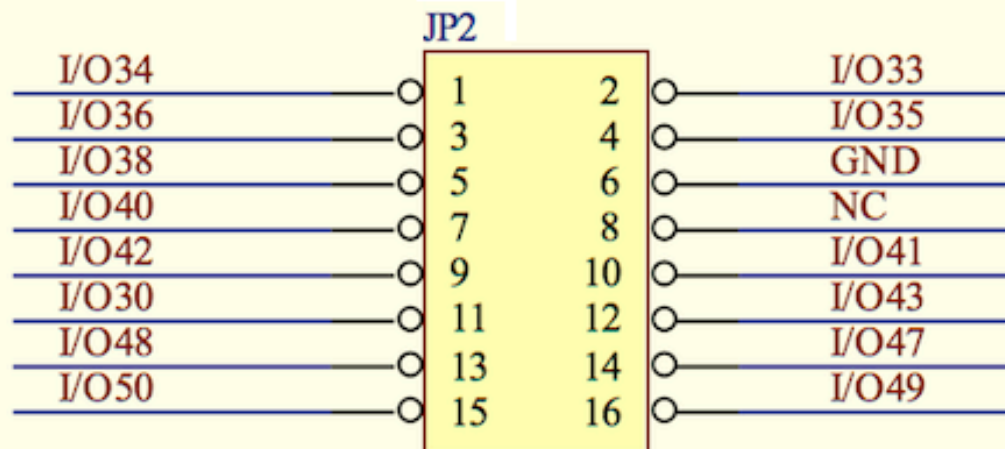
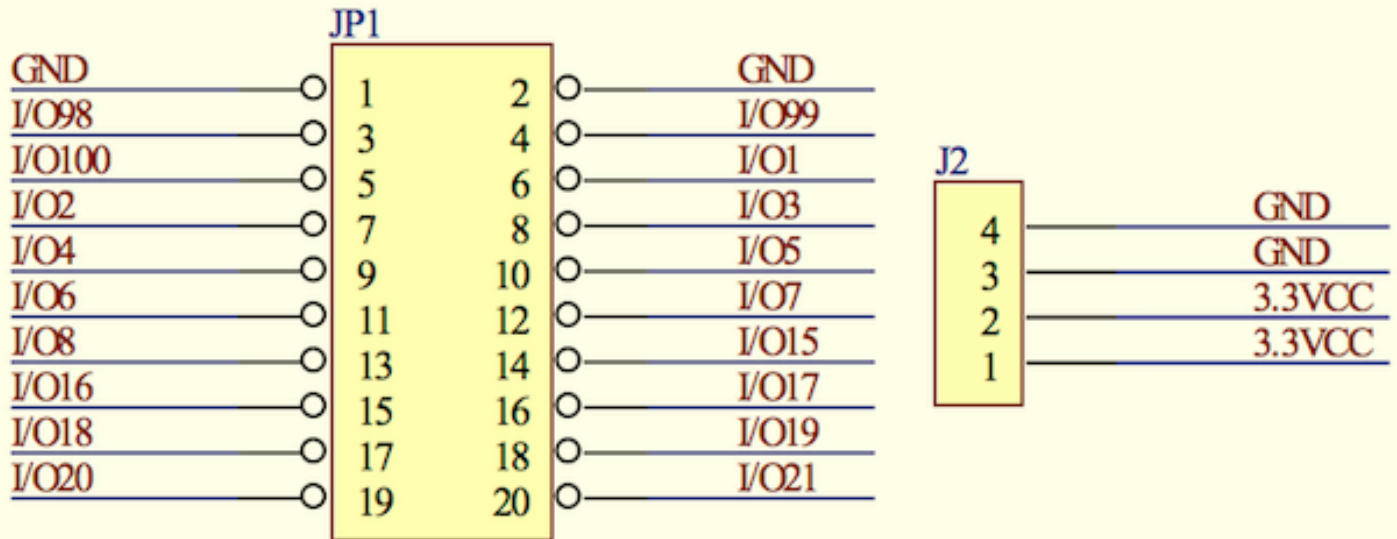
ALTERA MAX II C-M240 Development Board

POWER SUPPLY



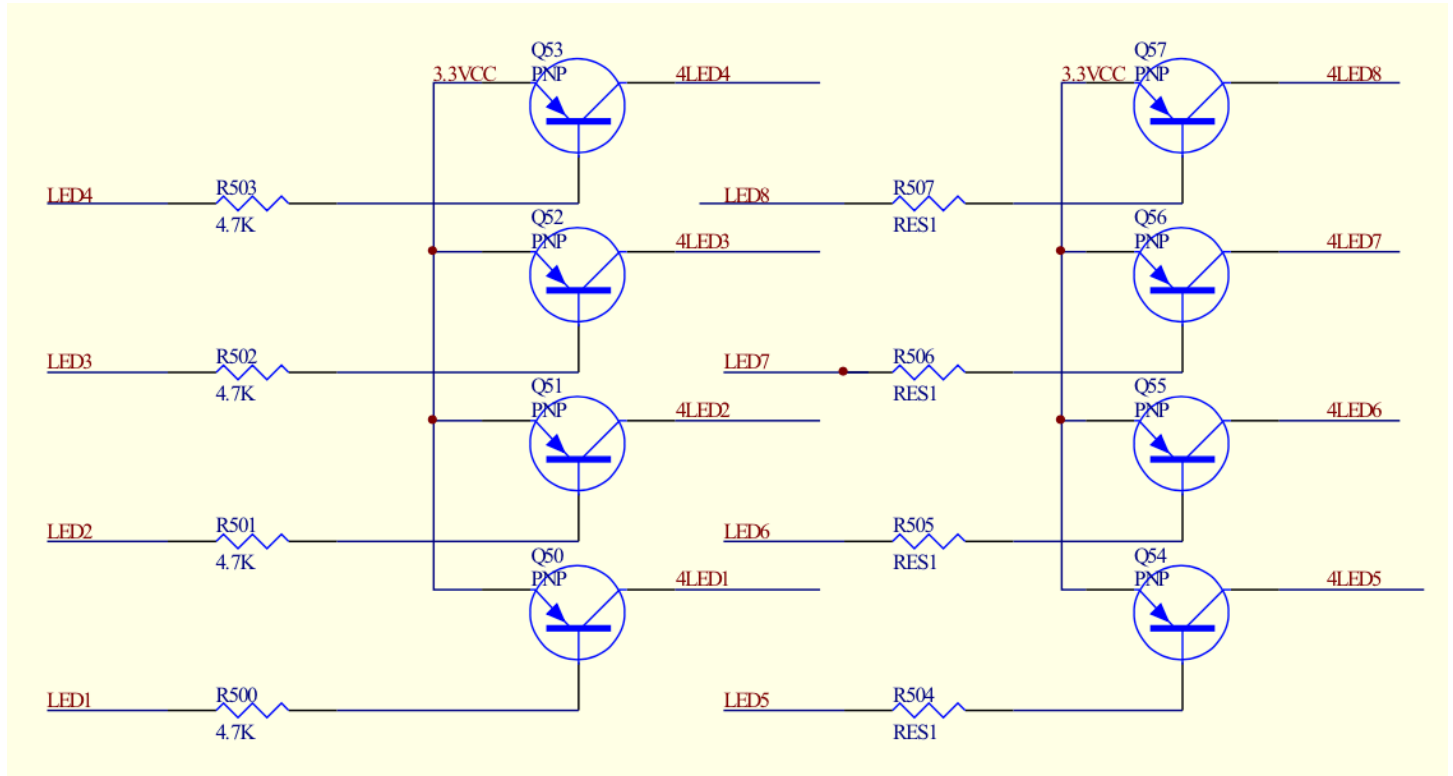
ALTERA MAX II C-M240 Development Board

PIN HEADERS



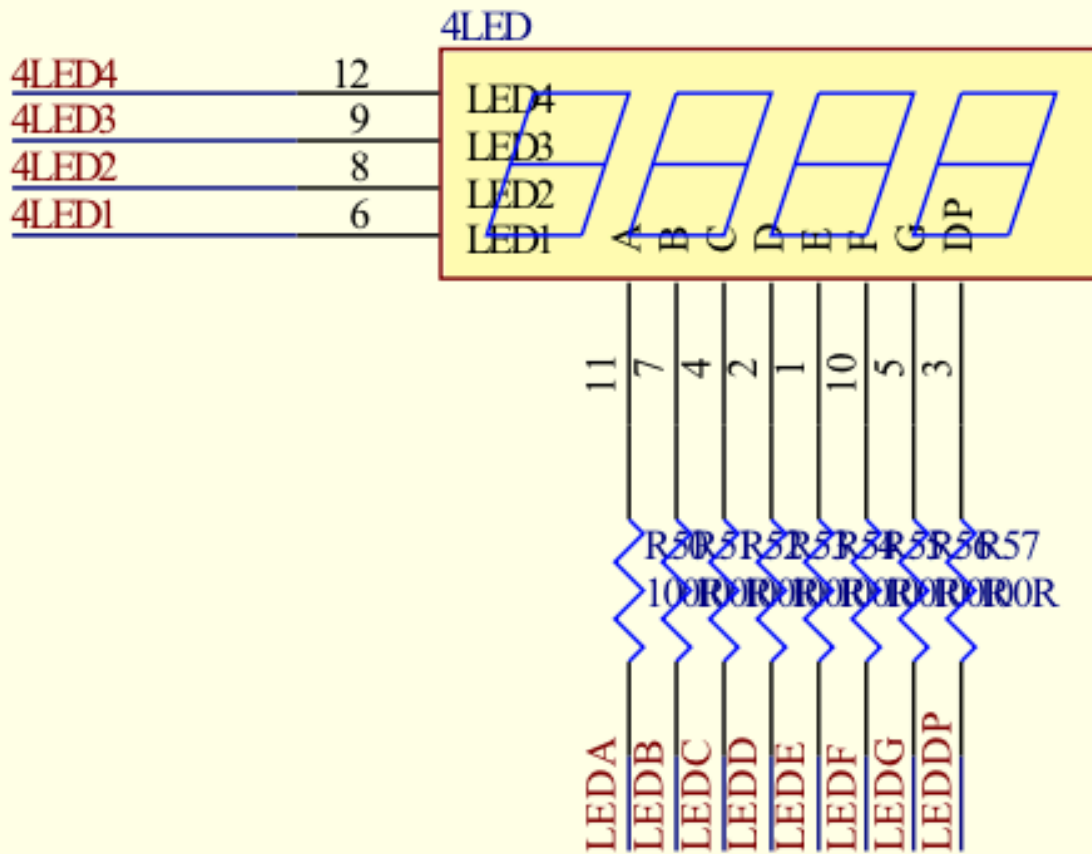
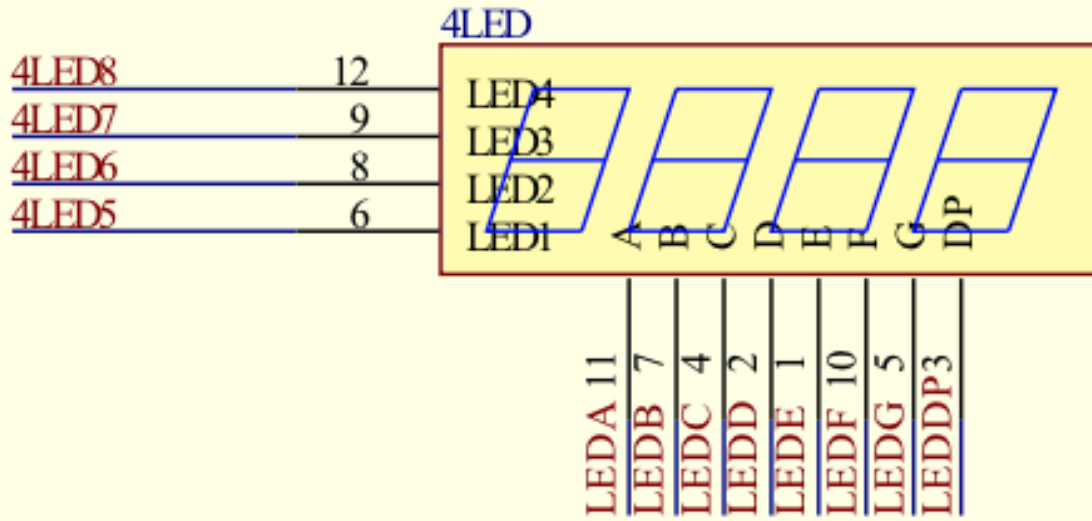
ALTERA MAX II C-M240 Development Board

DRIVER TRANSISTORS for SEVEN-SEGMENT LEDs



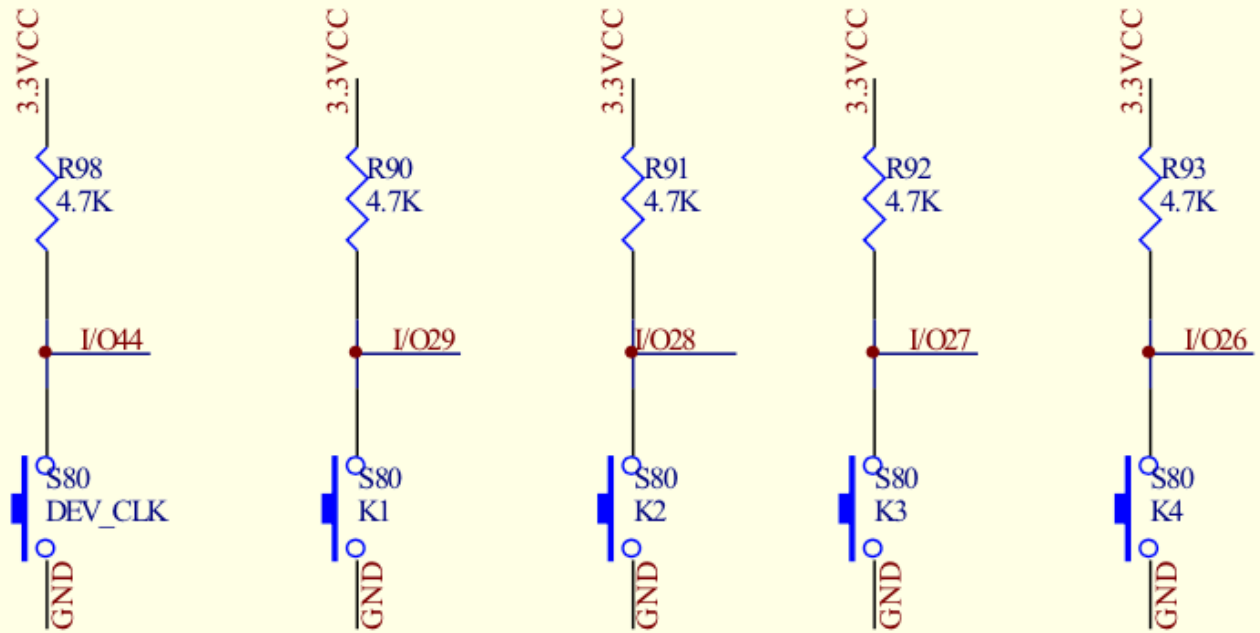
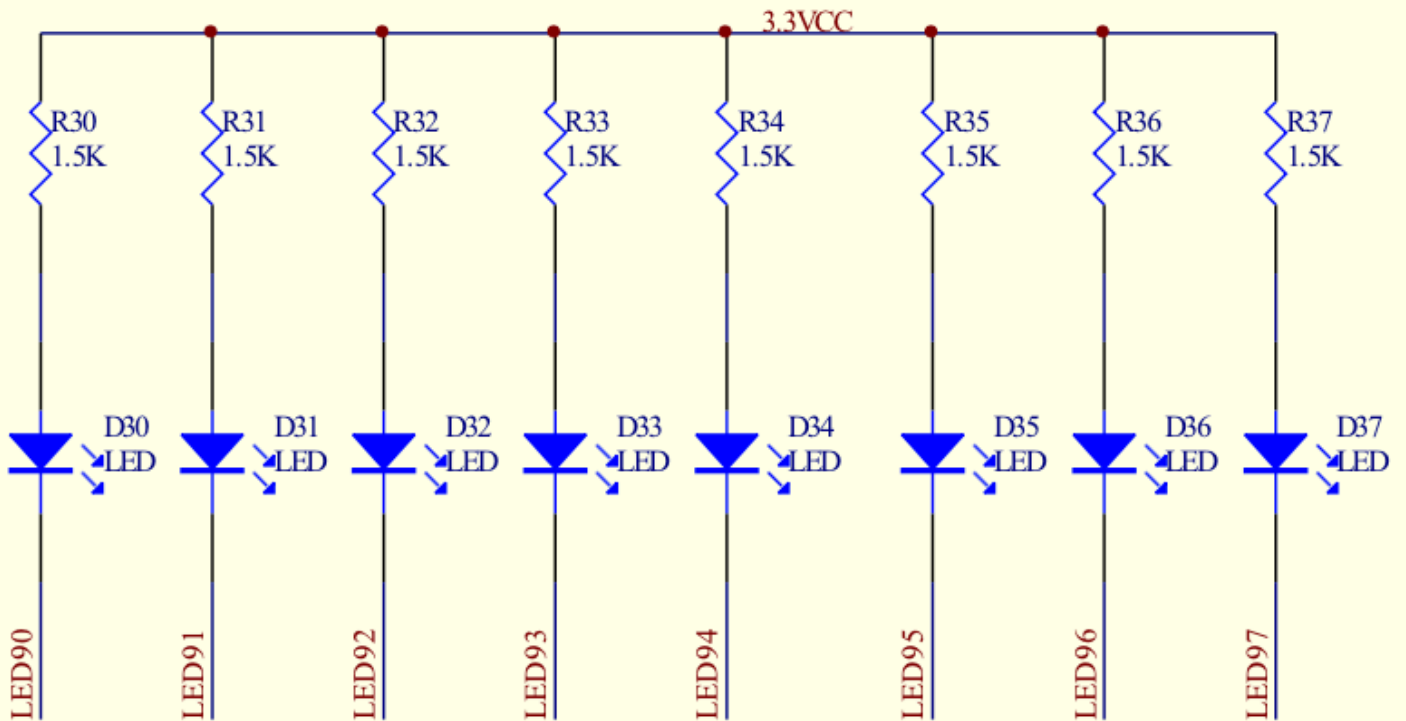
ALTERA MAX II C-M240 Development Board

SEVEN-SEGMENT LEDs



ALTERA MAX II C-M240 Development Board

LEDs and BUTTONS



ALTERA MAX II C-M240 Development Board

BUZZER

