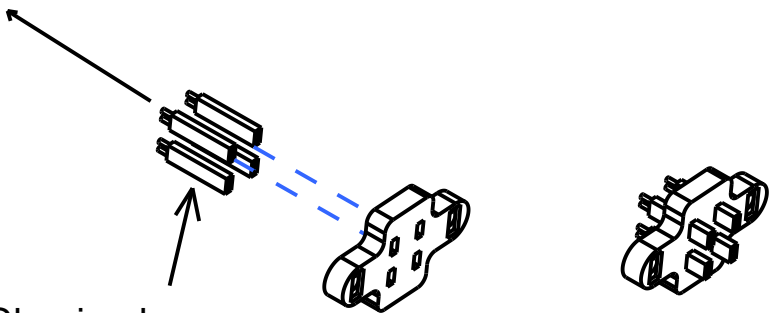
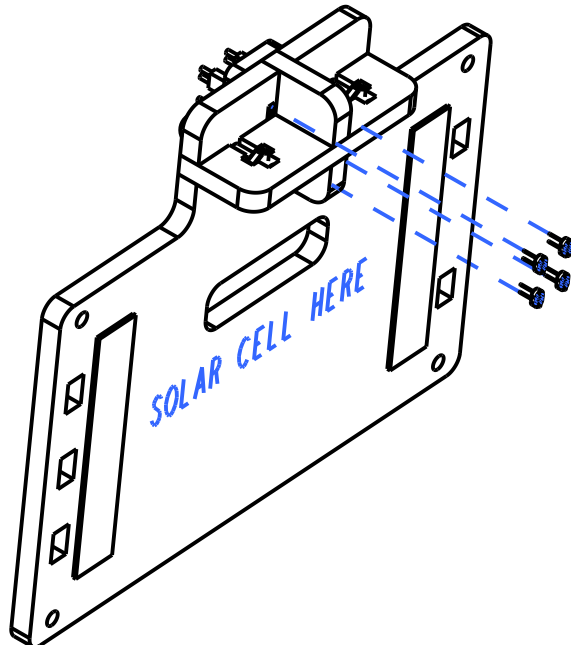
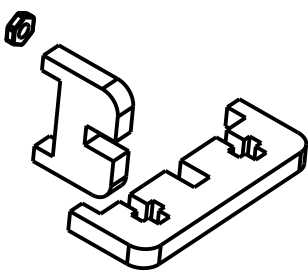
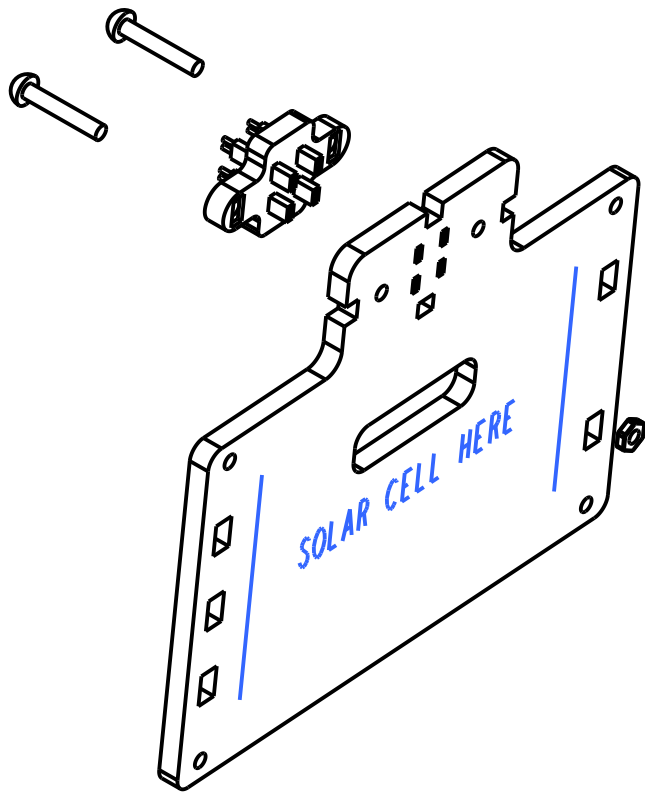
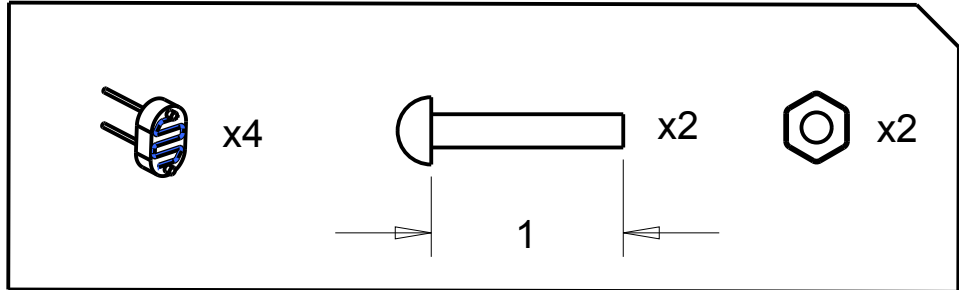
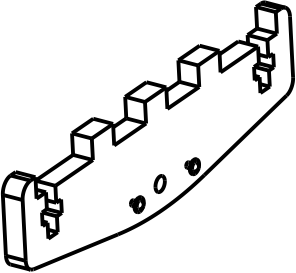
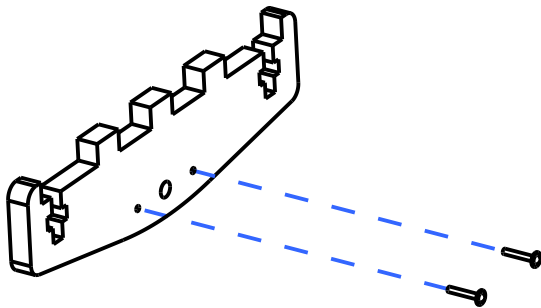
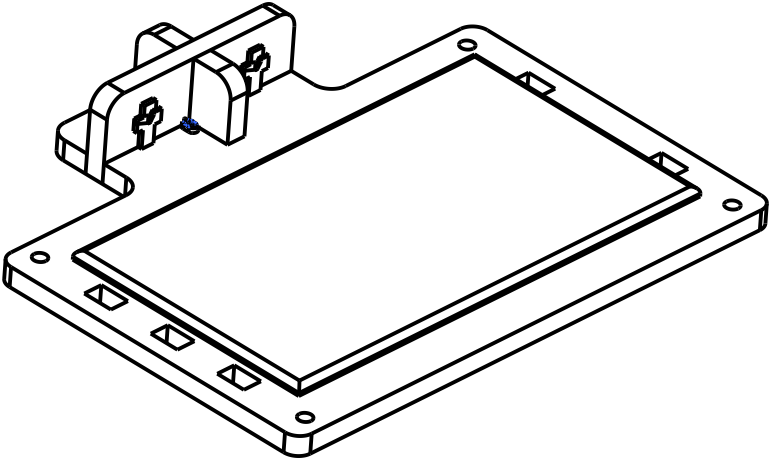
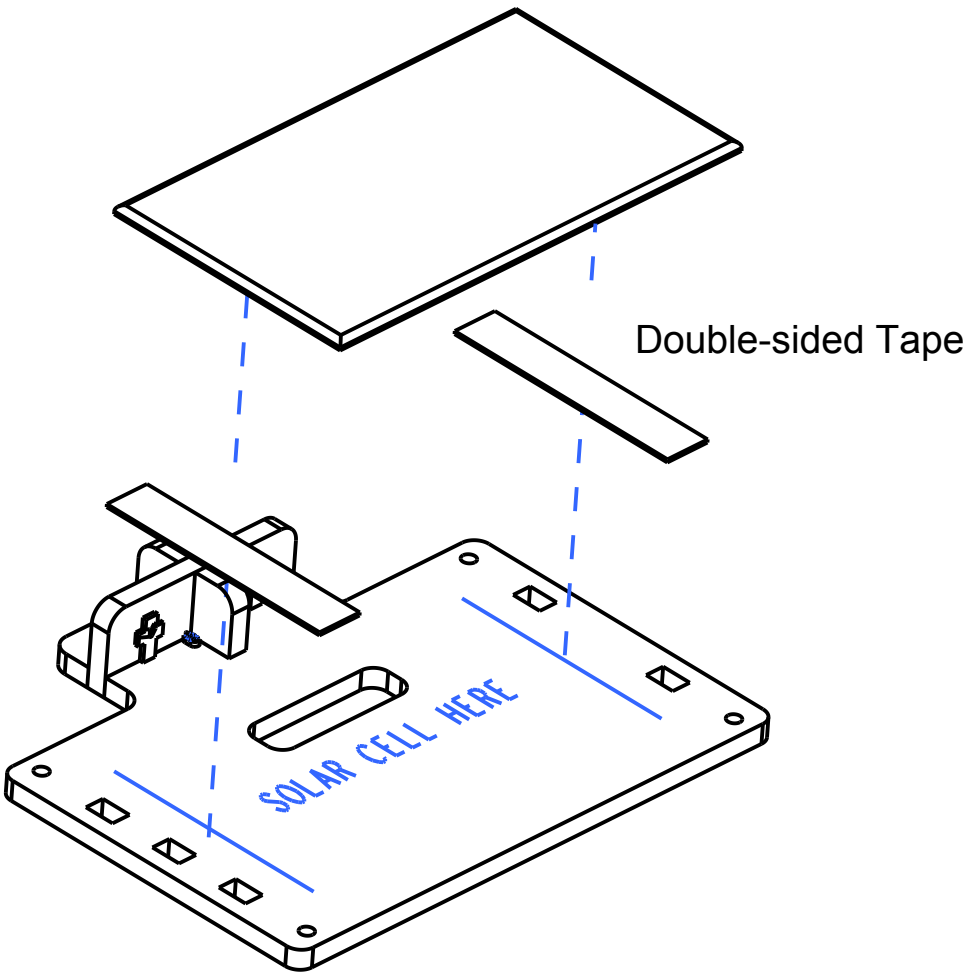
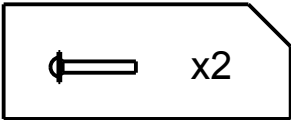


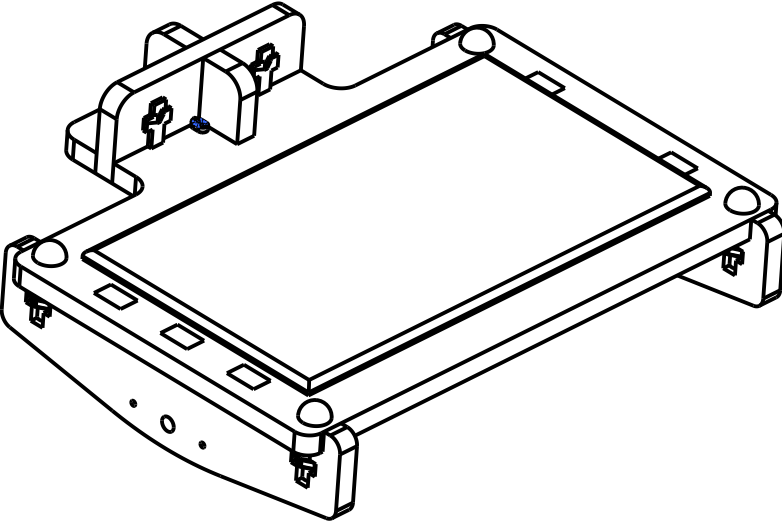
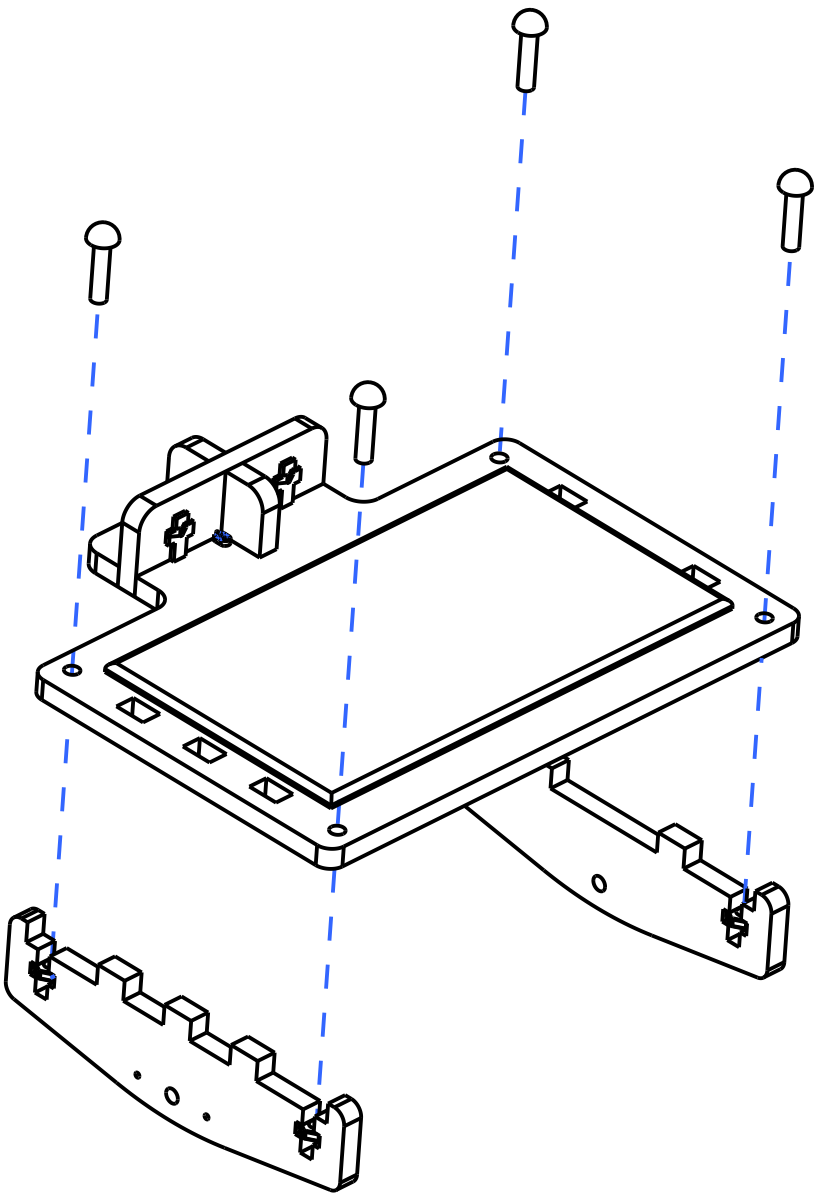
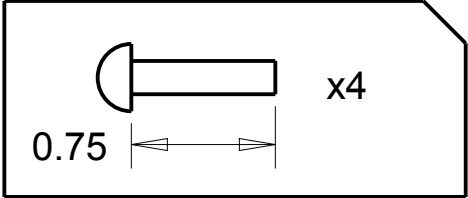
Wires go to Arduino

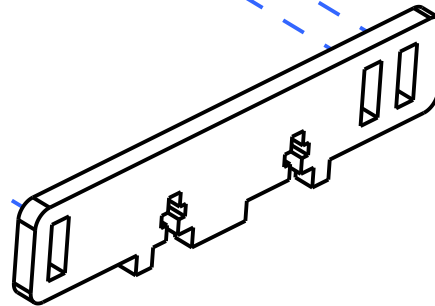
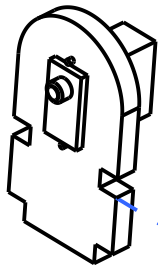
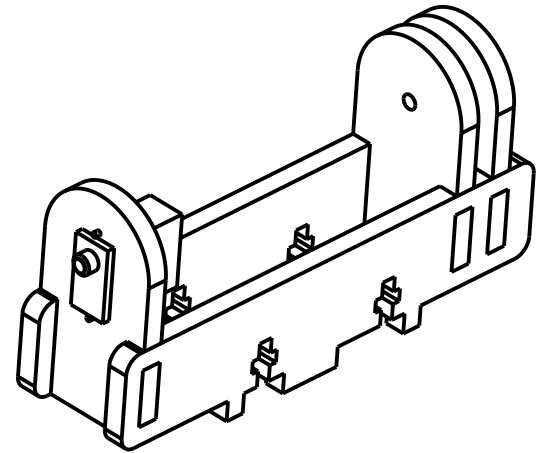
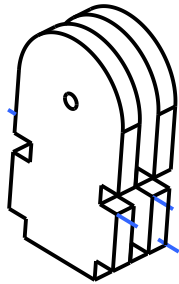
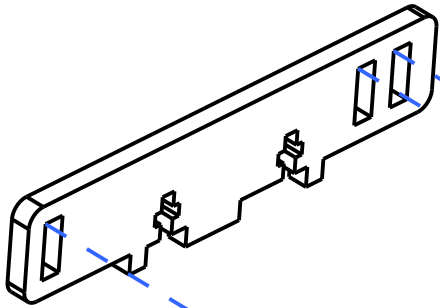
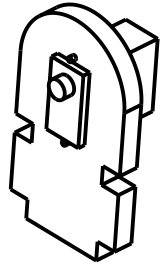
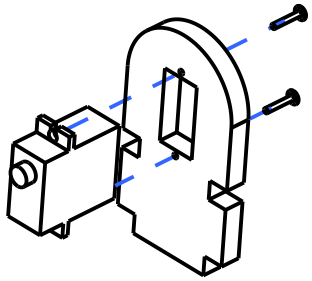
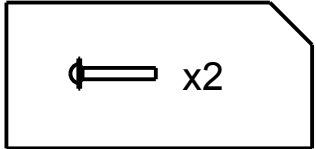


Glue in place

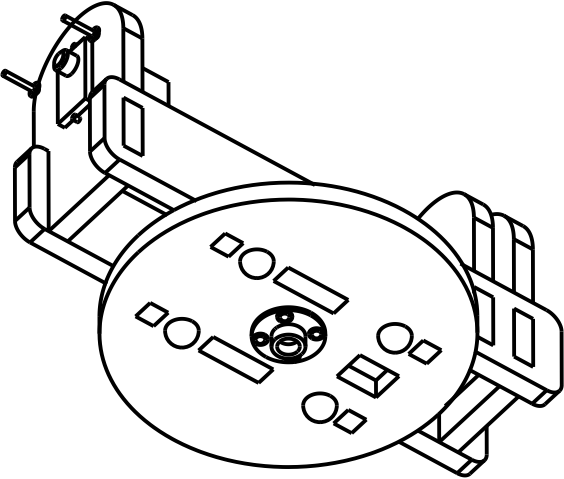
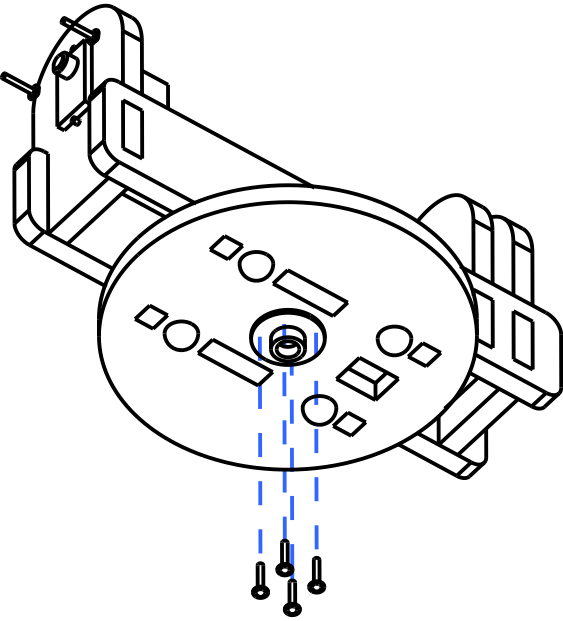
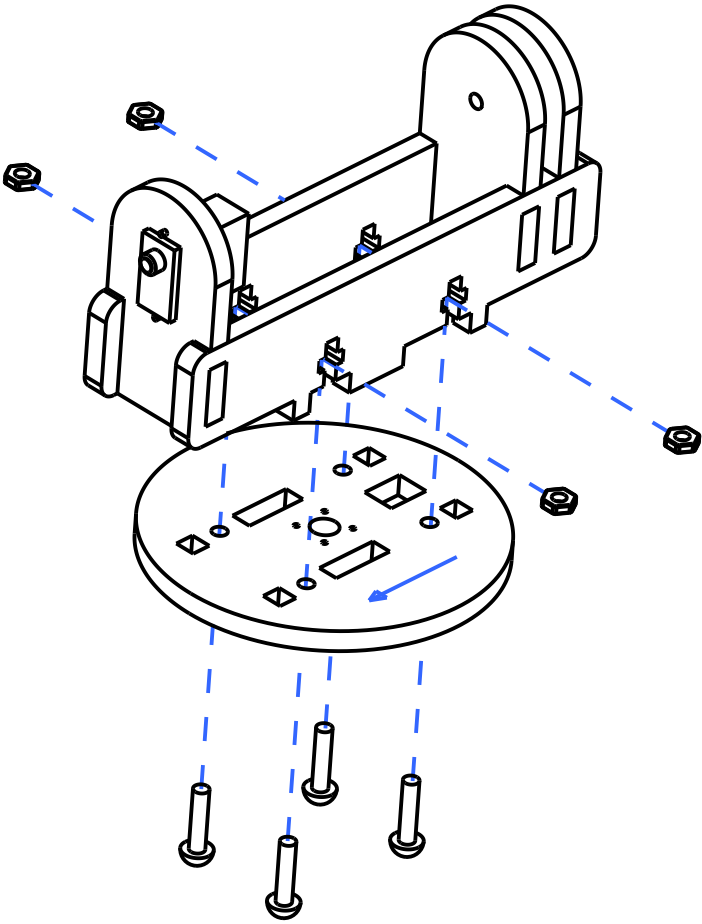
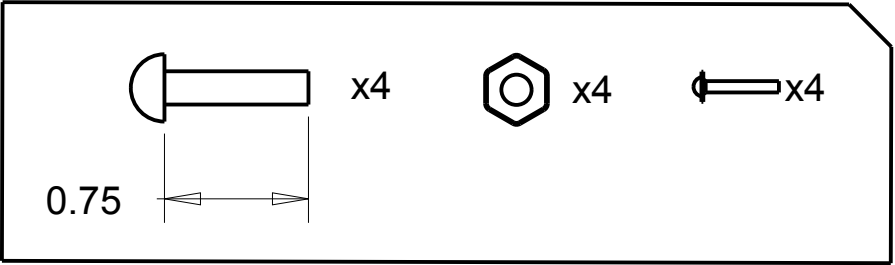


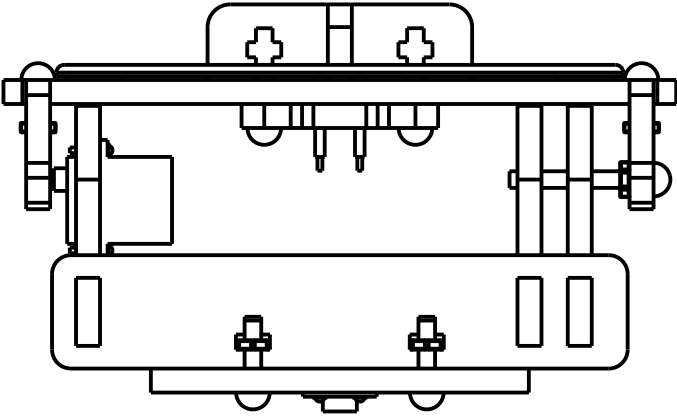
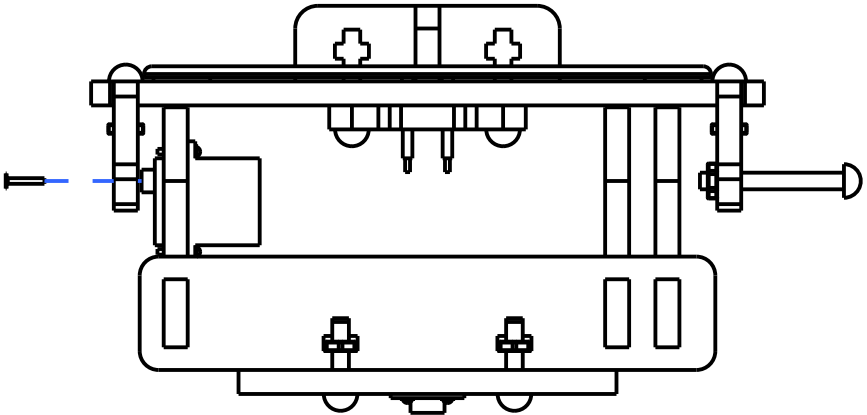
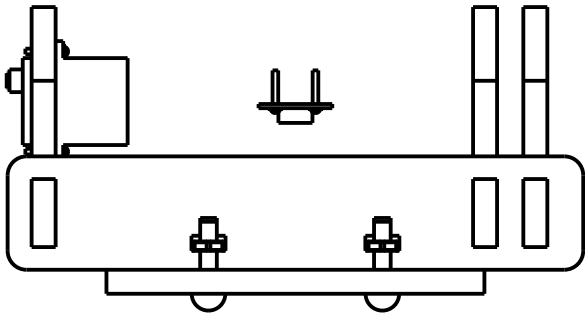
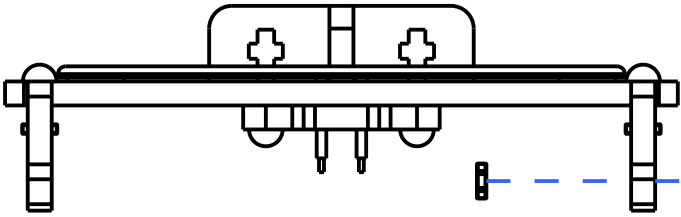
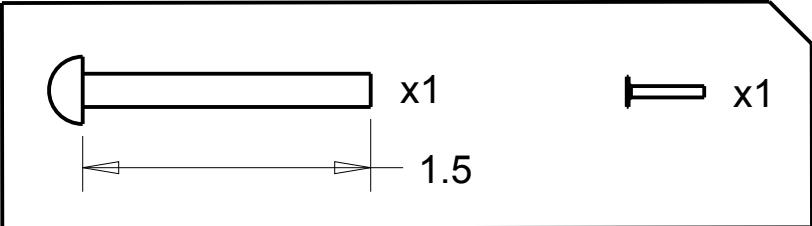






0.75 x4 x4 x4

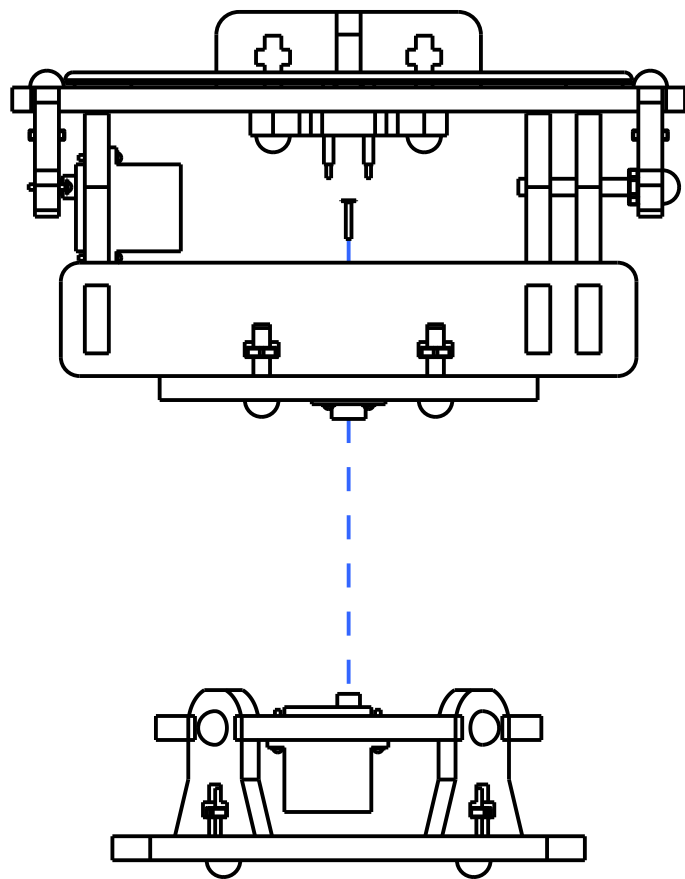
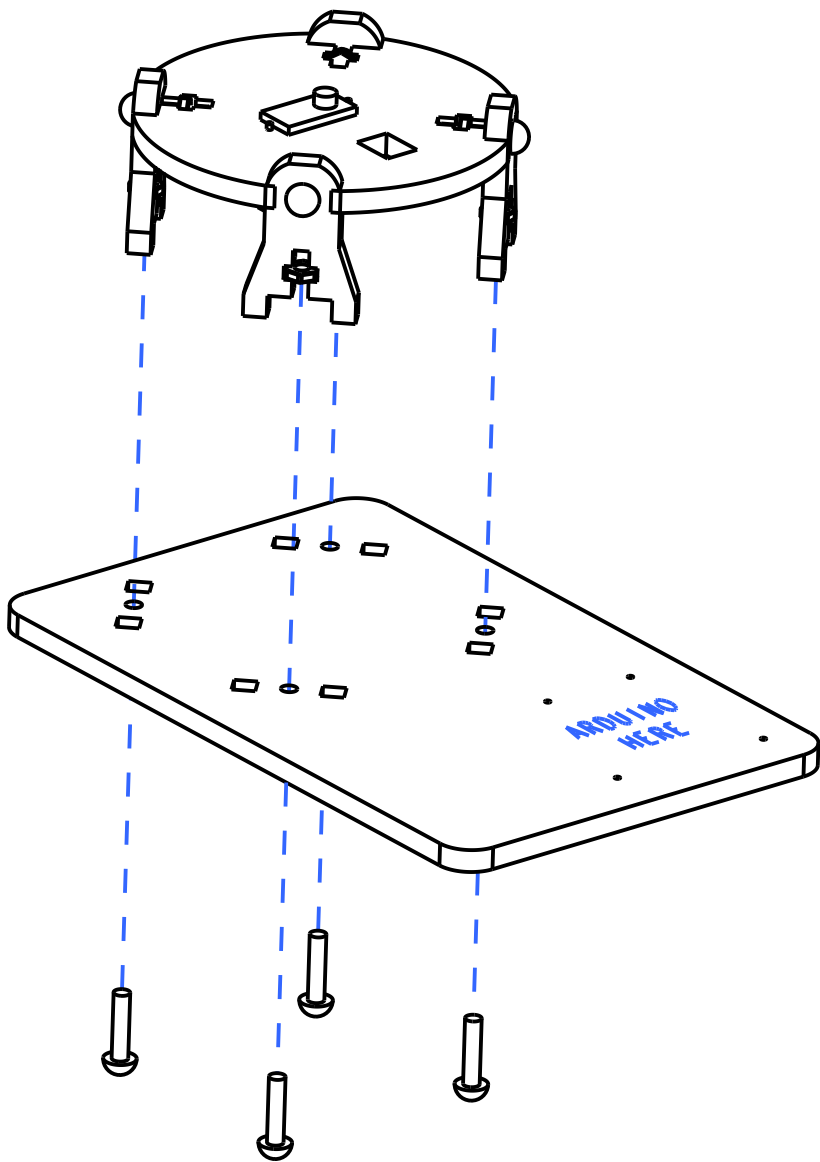


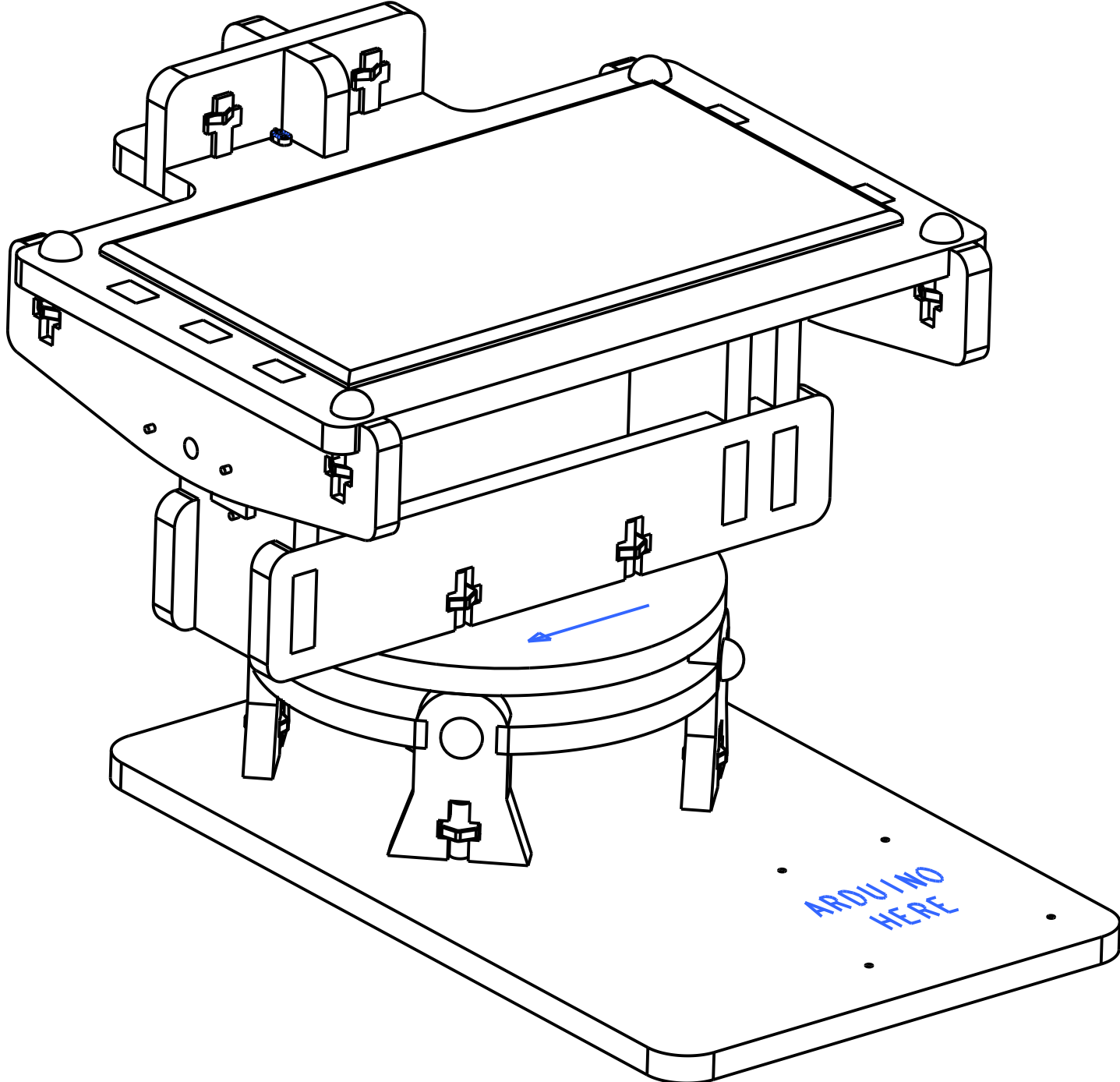


0.75

x4 x4 x1

This diagram shows the hardware components for the assembly. It includes four screws, four hex nuts, and one pin. A dimension line indicates a length of 0.75 units for the screws.





ARDUINO
HERE