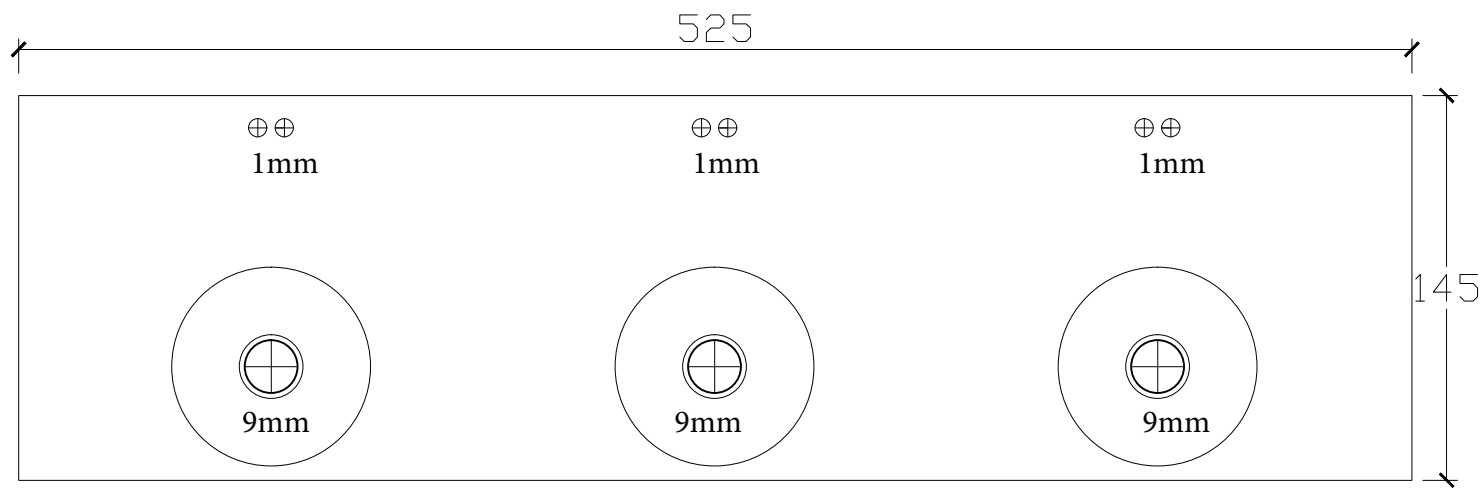


Drilling template top panel floorbox:



M 1:10