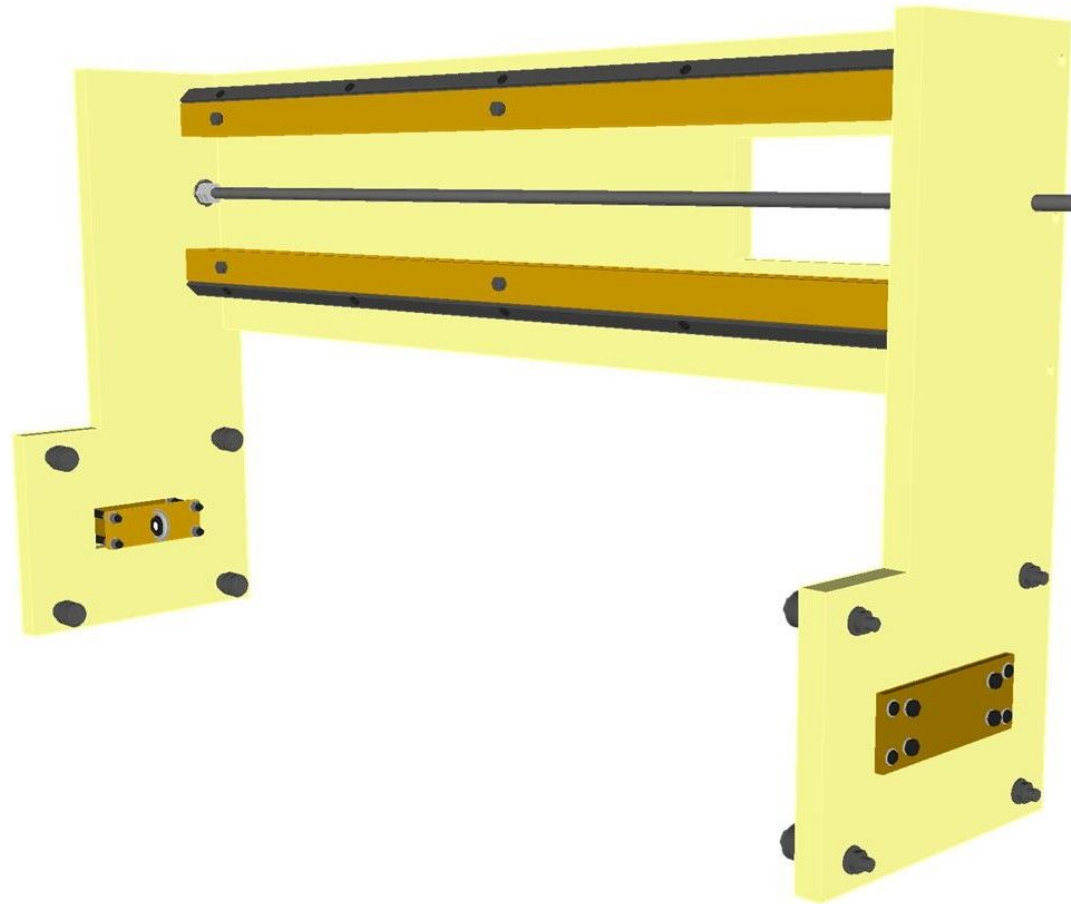
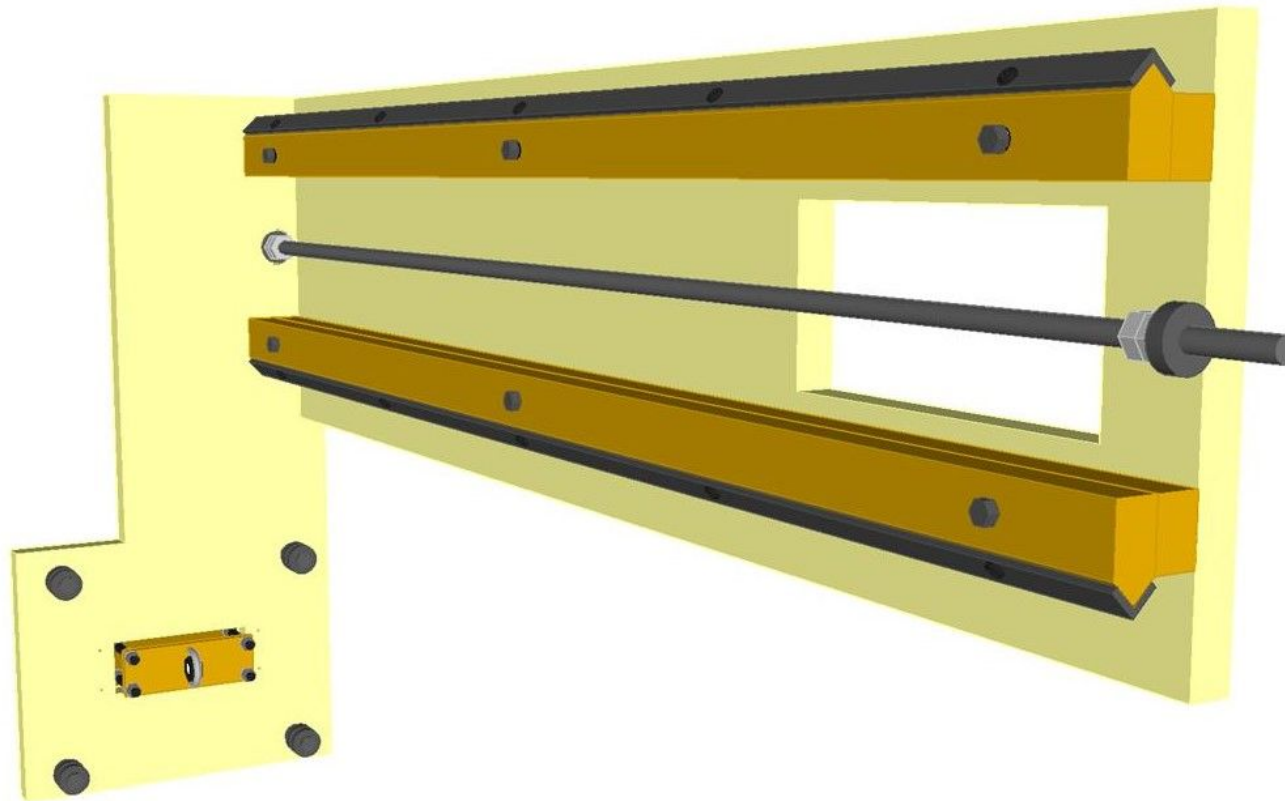


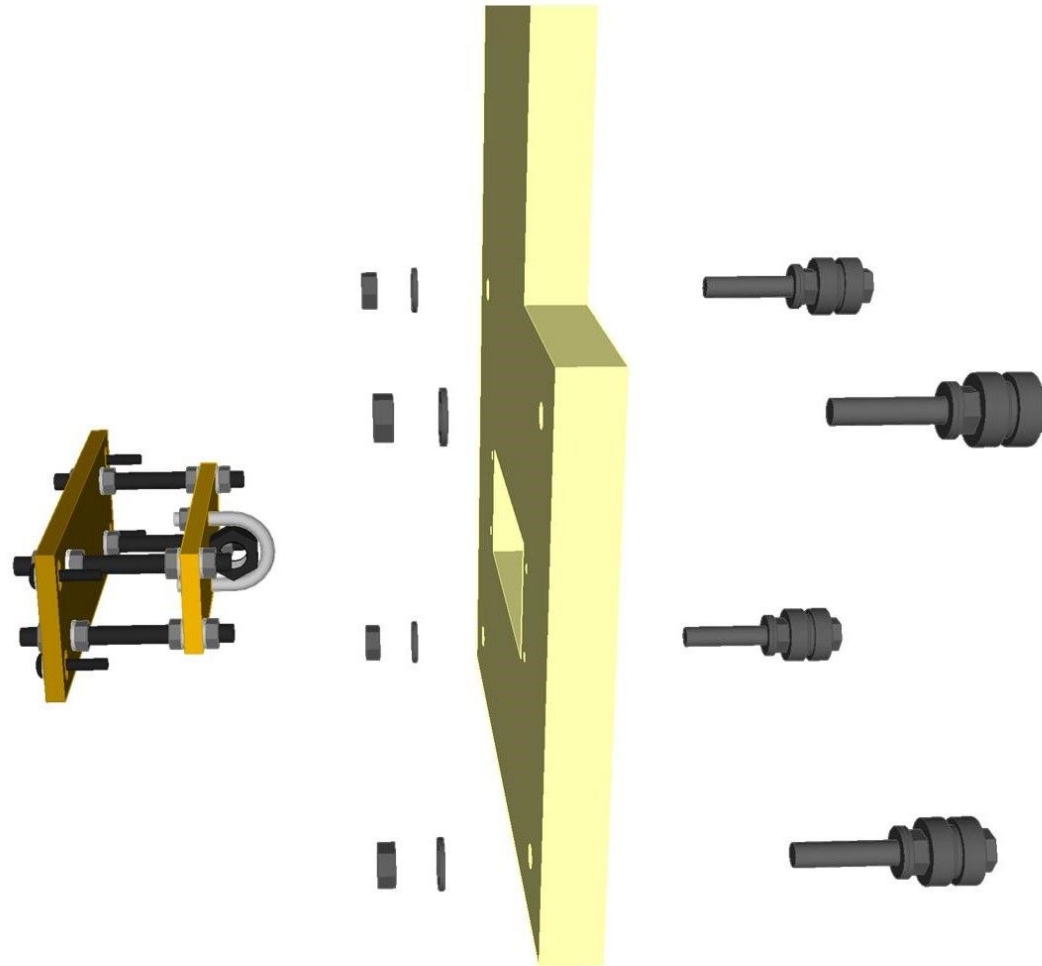
X-Axis



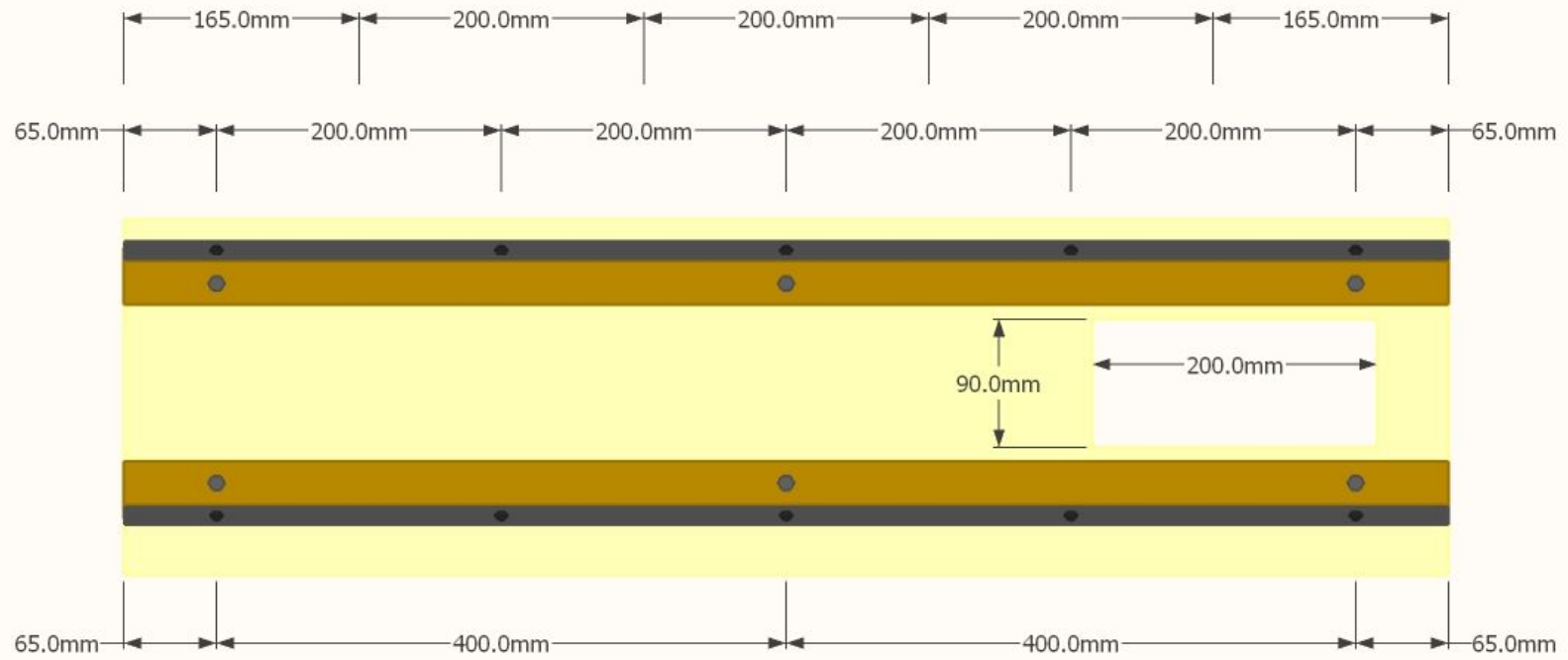
X-Axis rail view



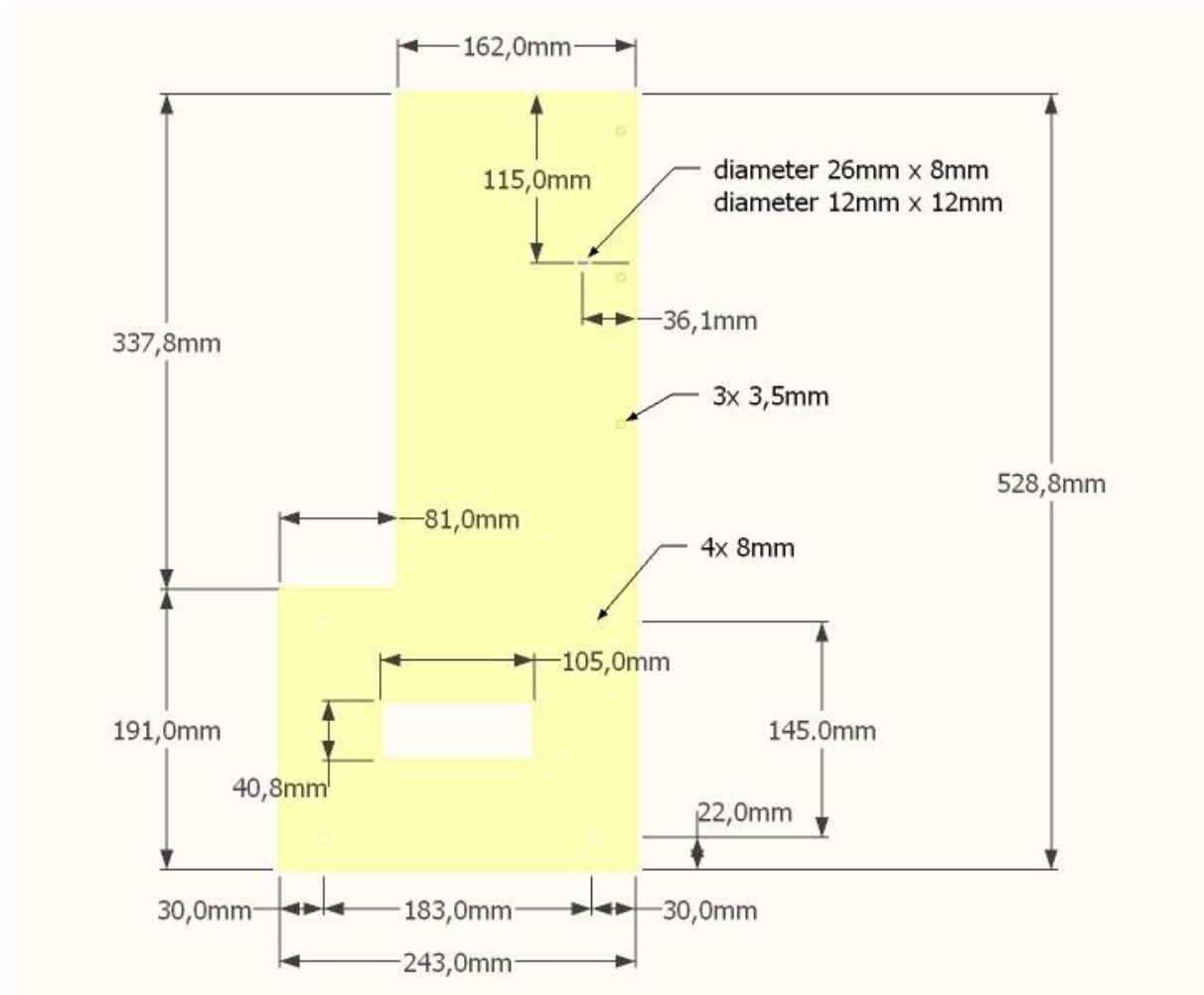
X-Axis bearing and M10 Nut component



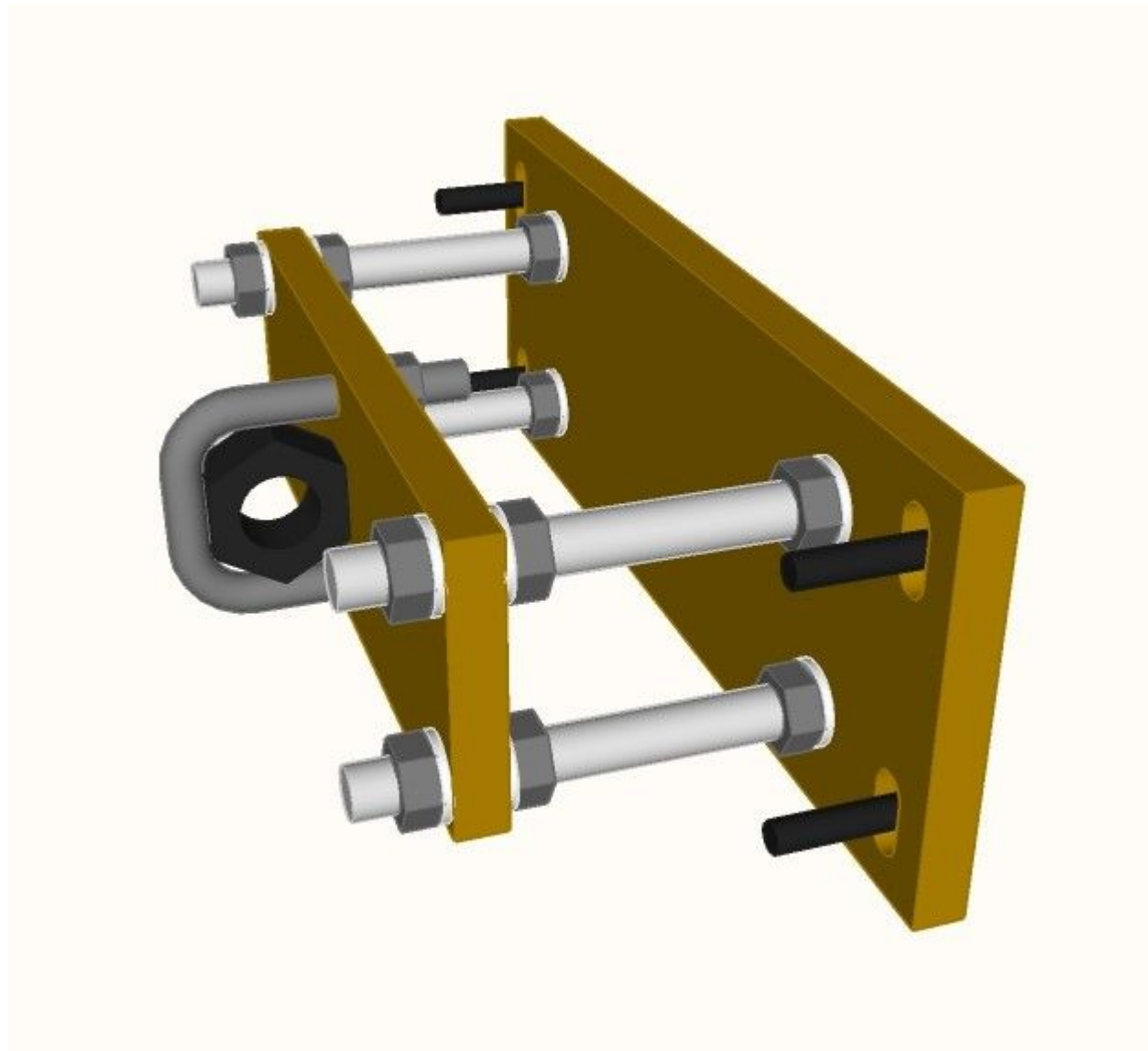
X-Axis holes position

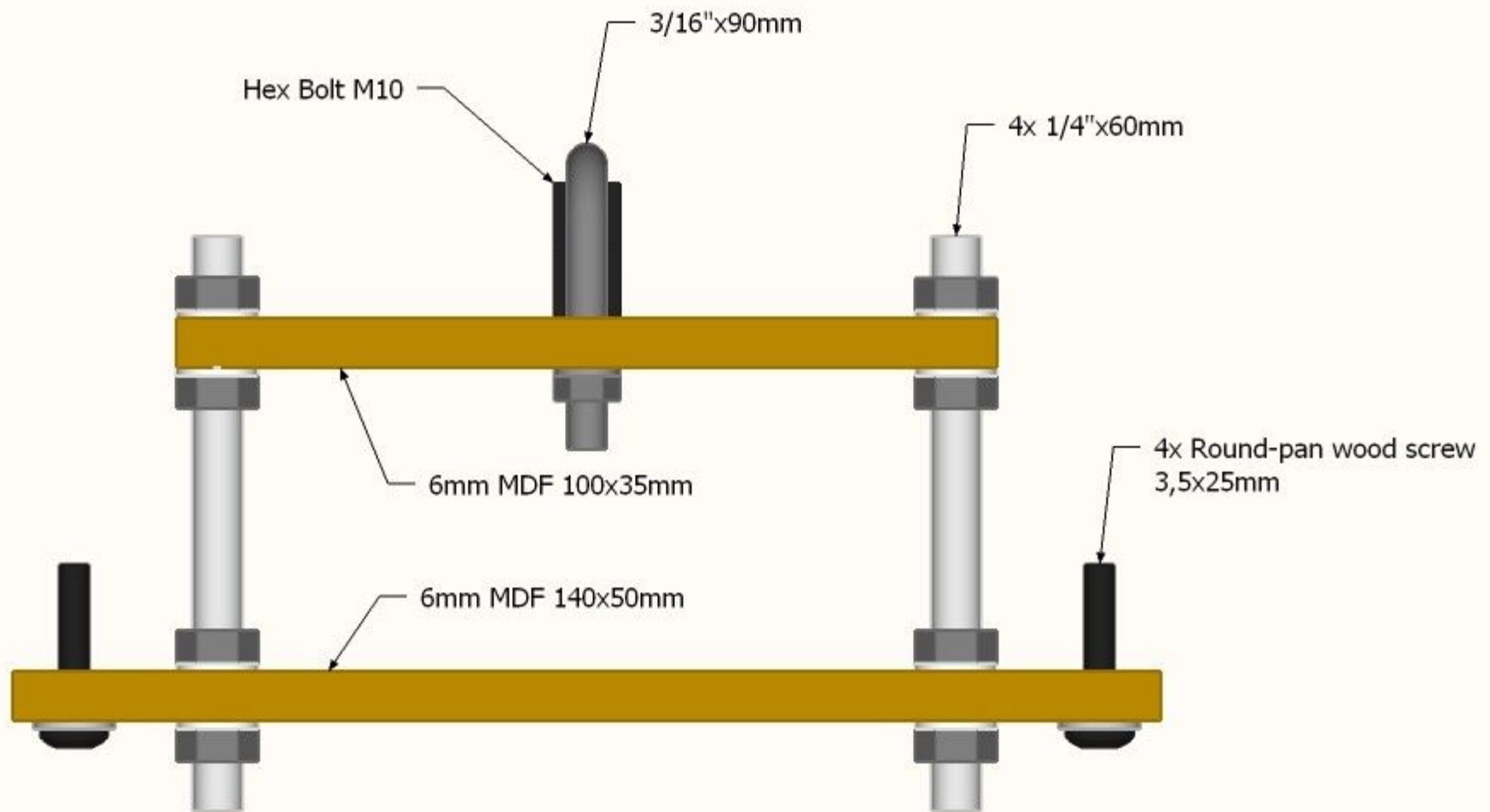


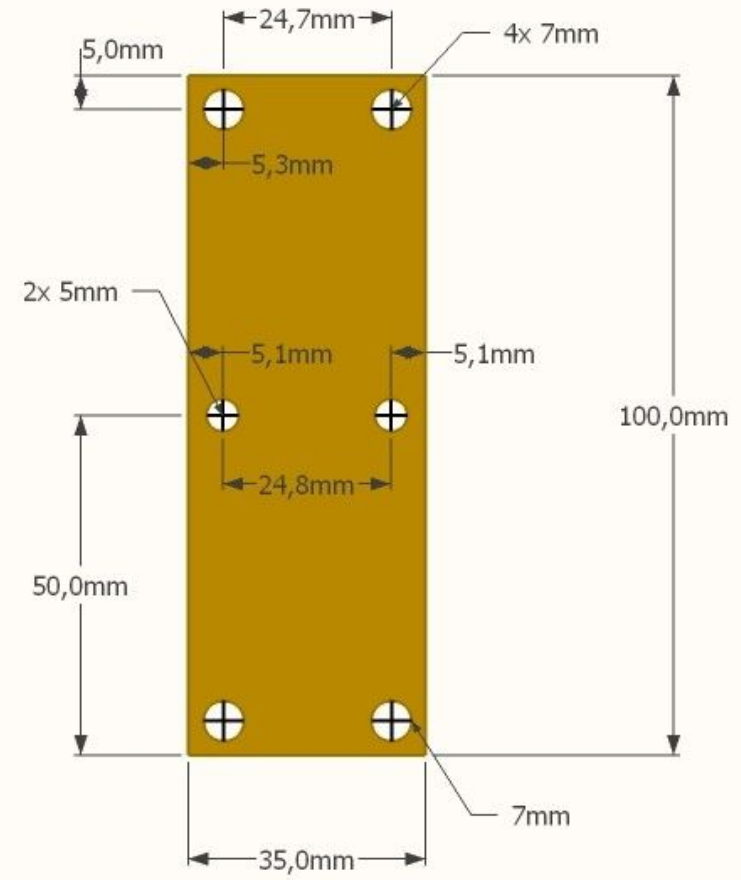
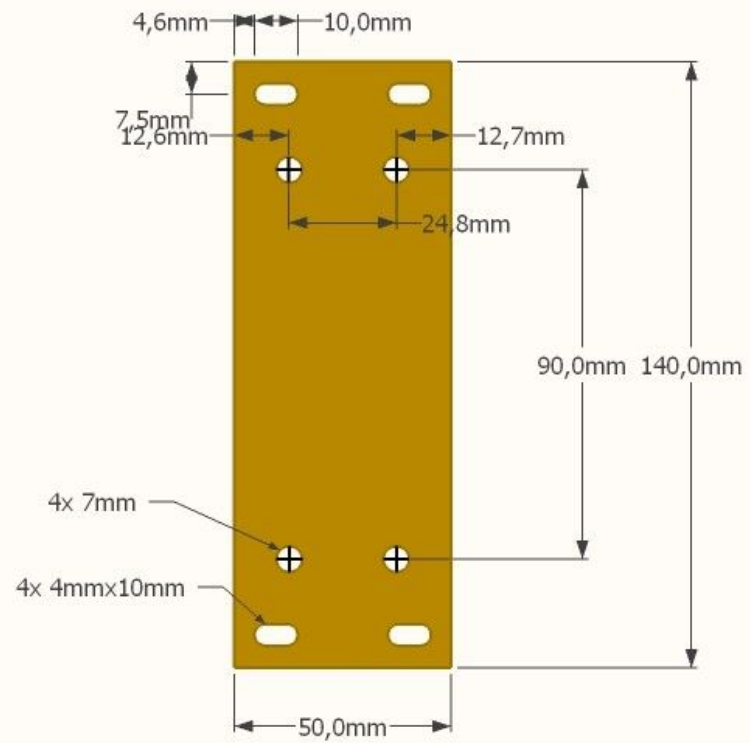
X-Axis Side, dimensions e holes positions



M10 Precision Nut components







X-Axis bearing set

