

Instructions

Paper Christmas Templates

Software requirements

You will need to use the latest Adobe Reader software to read/print Assembli's PDF files. You can download Adobe Reader safe and free at adobe.com. Other PDF programs such as Apple's Preview or Adobe Pro will not work.

Using your printer at home

Any working desktop printer should be able to print our PDF files just fine as long as the ink supply level is sufficient. Make sure that 'no scaling' is active. Otherwise the print might be scaled to fit the page.



Supplies

several sheets of paper:	medium/heavyweight paper in any color you like (160/200 gr/m ²)
1 or 2 cutting tools:	scissors, X-acto knife
1 scoring tool:	scoring pen / bonefolder / empty ballpoint pen / thick paperclip / blunt backside of a butter knife
1 adhesive:	paperglue / all purpose glue / hobby glue
misc:	ruler, cutting mat, toothpick

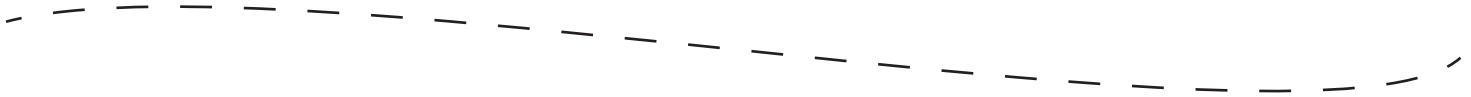


visit me on:
www.assembli.nl

contact me on:
info@assembli.nl

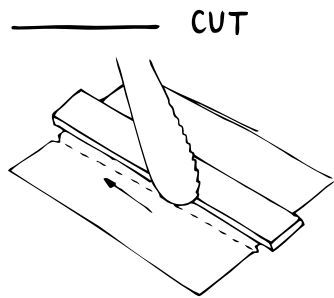
follow me on:
[Facebook.com/pages/Assembli/484188734942762](https://www.facebook.com/pages/Assembli/484188734942762)

order me on:
[Etsy.com/nl/shop/AssembliShop](https://www.etsy.com/nl/shop/AssembliShop)



Cutting

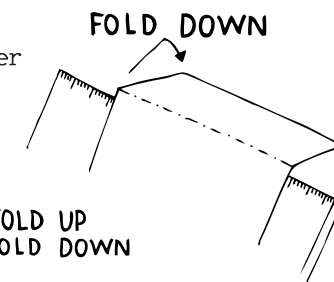
Cut out all the continuous outlines to create all the parts for assembling. Use your scissors or a X-acto knife.



Scoring

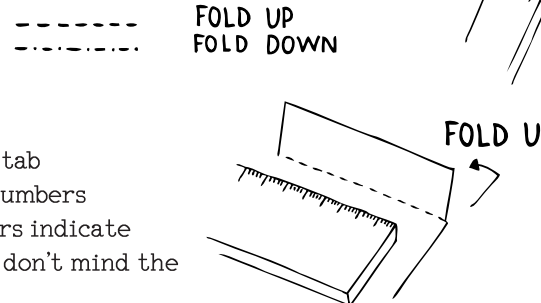
Scoring is very important when you are going to fold paper. All scoring lines are marked by straight dashed and dash dotted lines on our printables. Scoring is achieved by using a scoring tool and a straight edge, such as a ruler, to add a 'depressed' line in your paper. Place your ruler right next to the marked line that needs to be scored and slide your tool firmly along the side of the ruler.

If you don't score before you fold heavyweight paper, you can get unexpected results like tearing, cracking or wrinkles in your paper. The objective of scoring is to make your paper folding easy and effortless. Scoring tools include; scoring pen, bone folder, empty ballpoint pen, thick paperclip and the blunt backside of a butter knife.



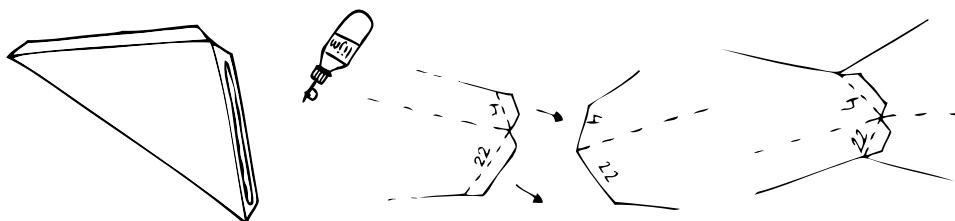
Folding

All folding lines are dashed or dash dotted. Dashed lines need to be folded upwards and the dash dotted lines downwards.



Assembling

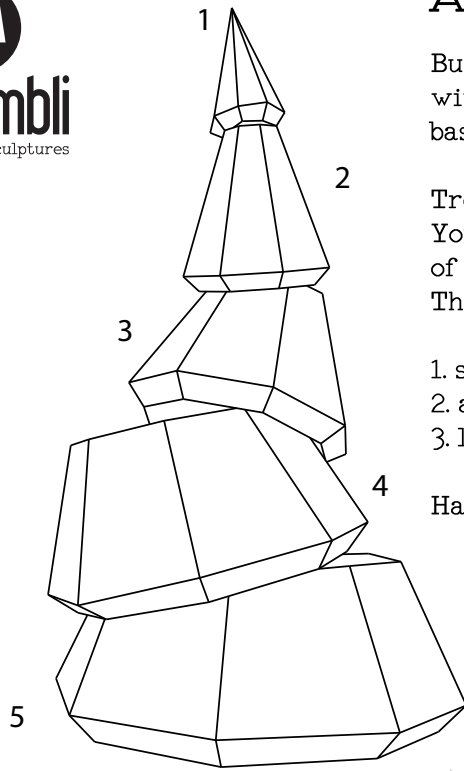
add a small strip of glue on a tab and let it dry for a few seconds. Place the tab on the corresponding paper part, push and hold it for a moment. There are numbers added on complex templates to show you where the tabs connect. All numbers indicate the place for corresponding tabs. They are not numbered chronologically so don't mind the ranking.



Enjoy your papercraft skills and good luck! Please share your creation and mail a nice photo to info@assembli.nl. We regularly share some beautiful work from our customers on the facebook page. We are looking forward to post your photo! :)

Assembling tip:

Build the 5 numbered elements separately. Connect element 1 with 2. Followed by element 3, 4 & 5. The last step is connecting the base plate to element nr 5. Your sculpture is finished!

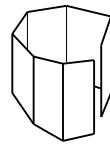


Tree trunk:

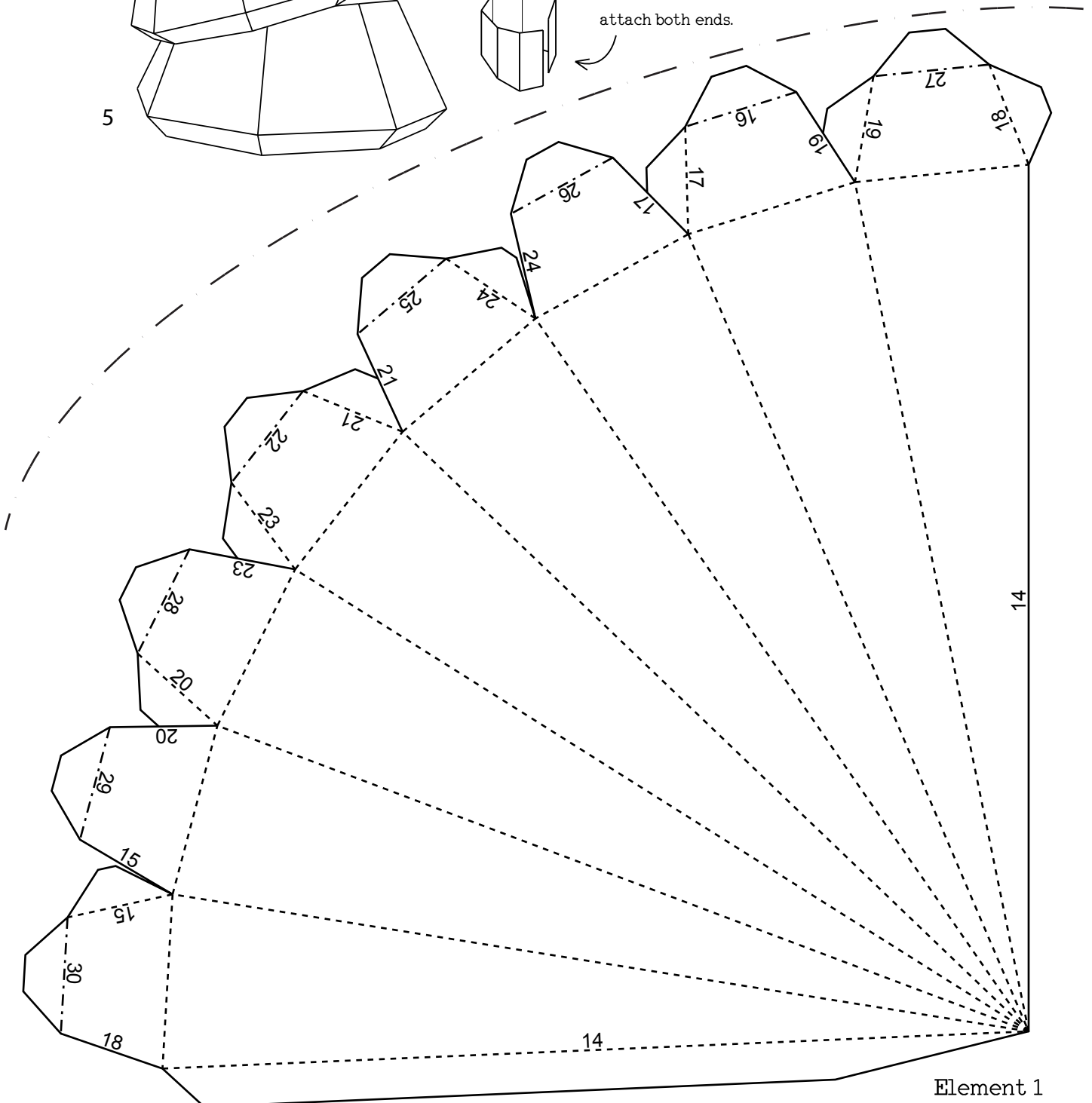
You could use many things to create a trunk. At first, use a piece of old cardboard to close the hole in the bottom of the tree. Then you could use:

1. strip of cardboard folded several times to create a geometric trunk.
2. a natural piece of wood
3. leftover pvc pipe or another tube and wrap it in craft paper.

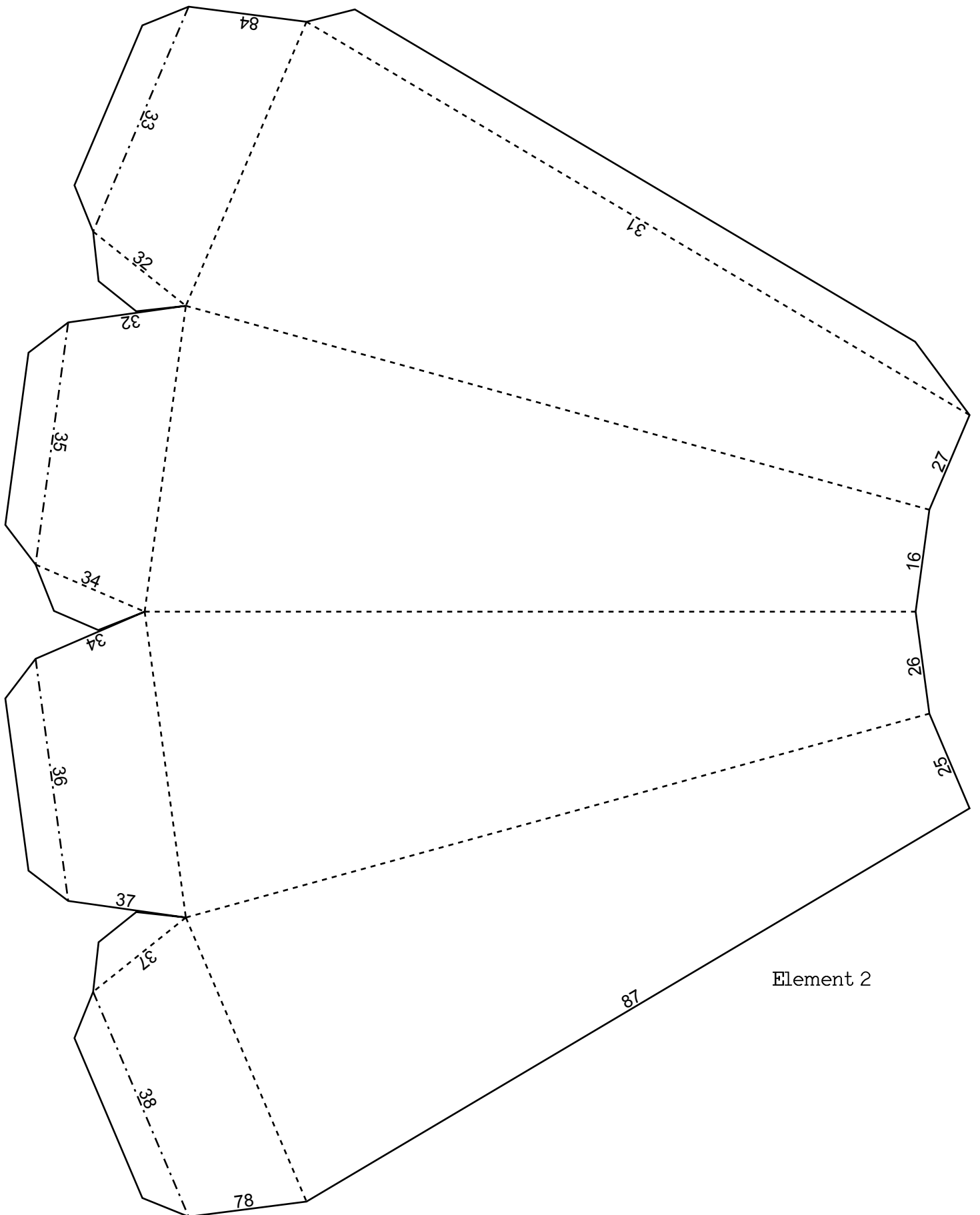
Have fun!



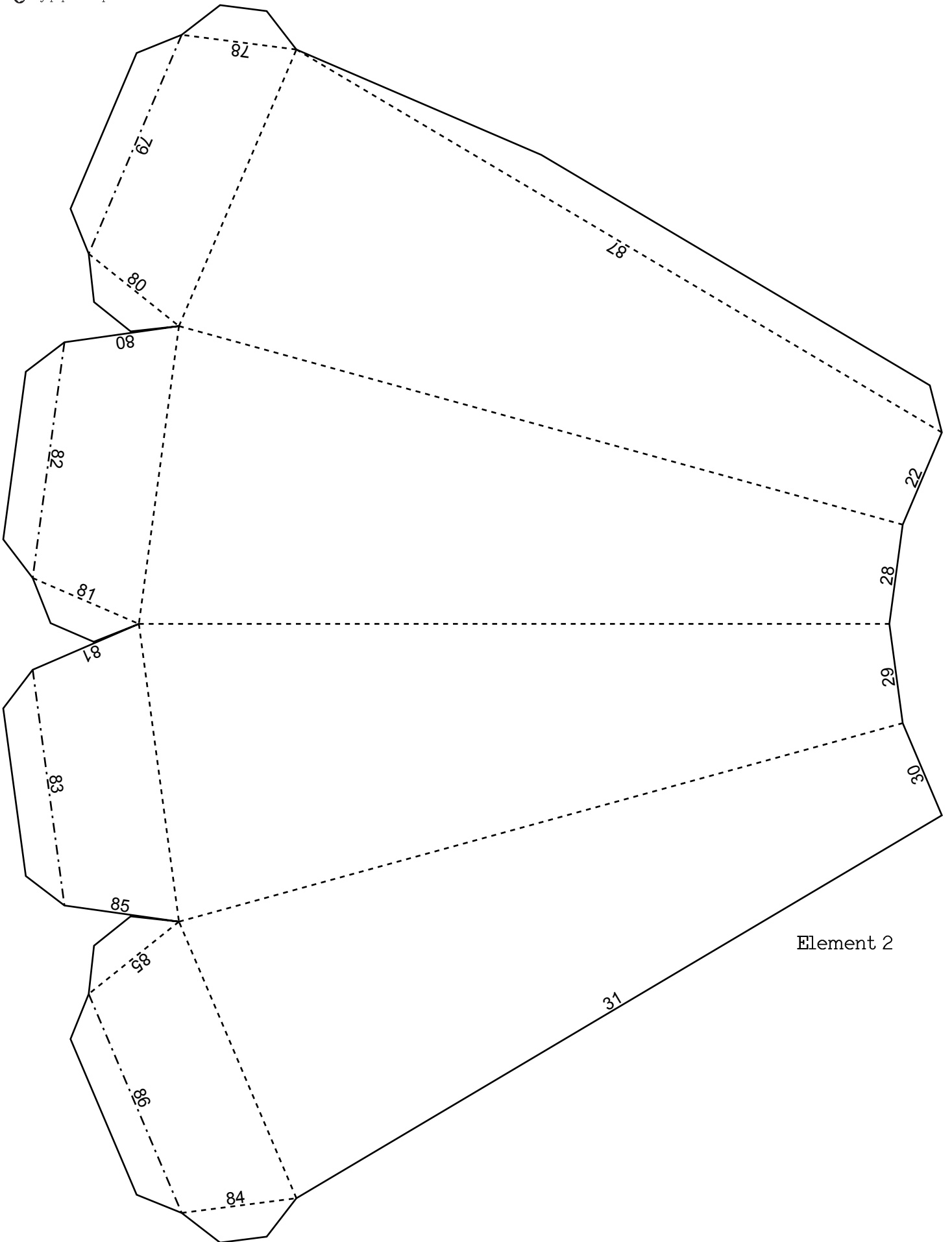
attach both ends.



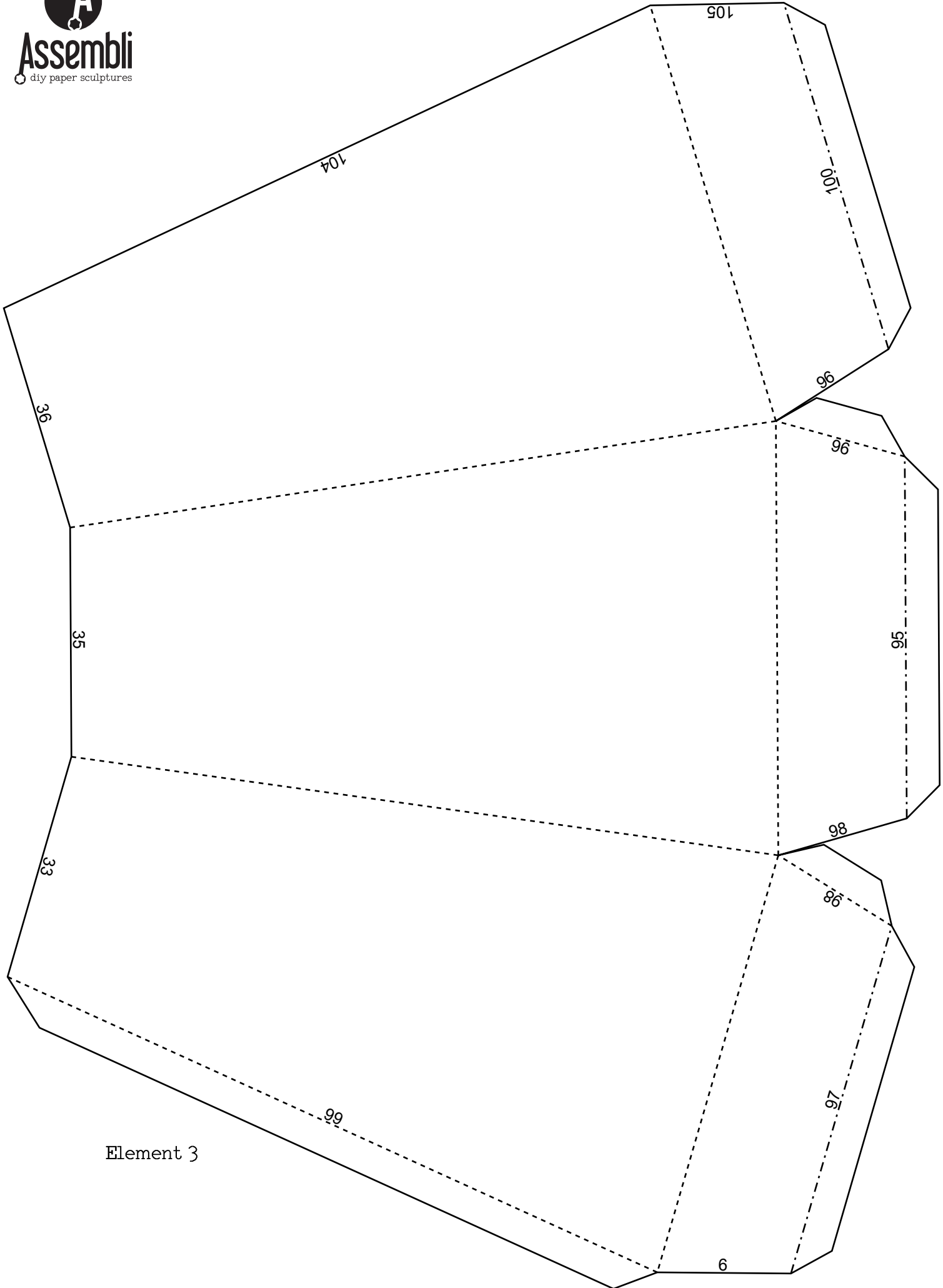
Element 1



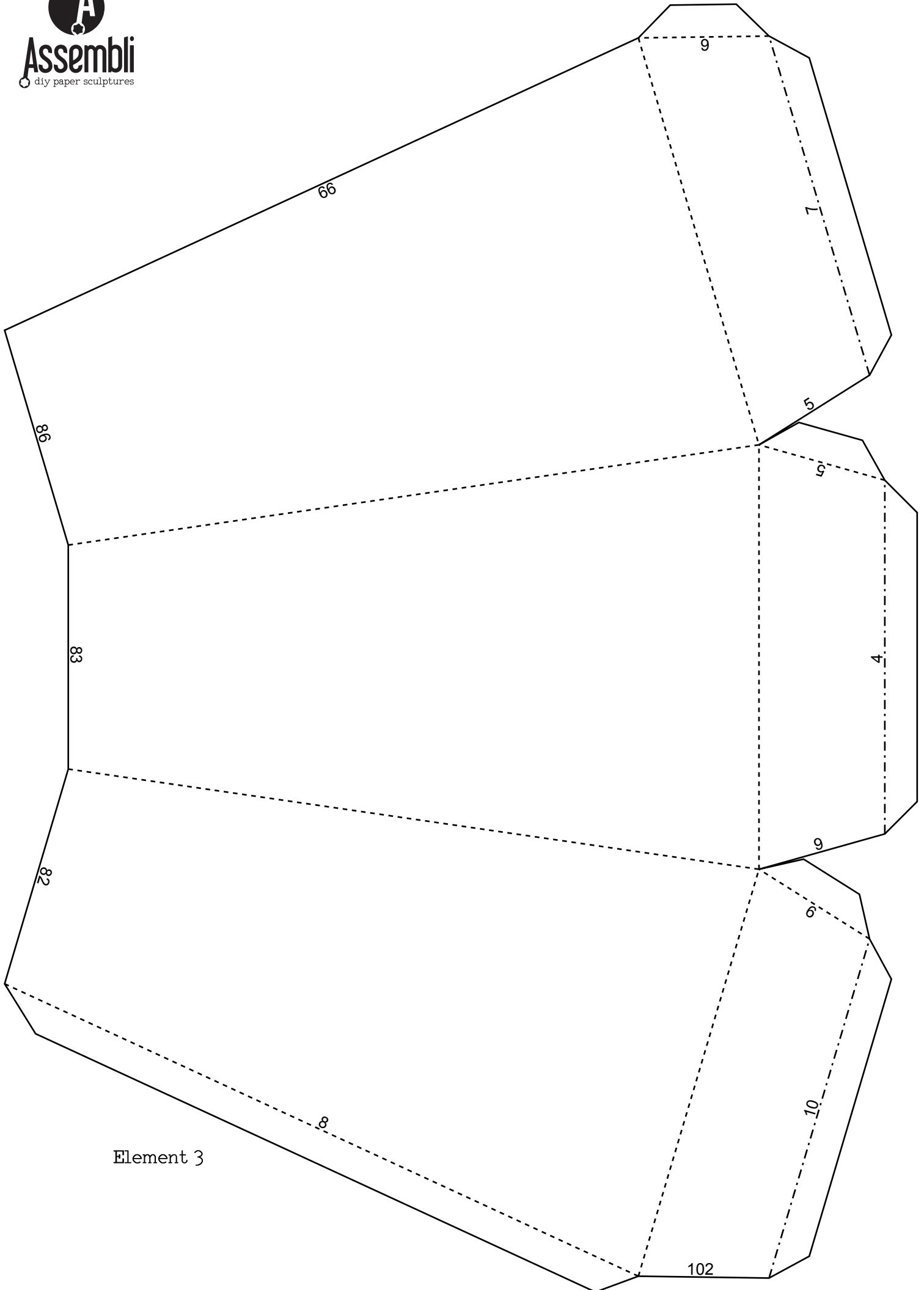
Element 2



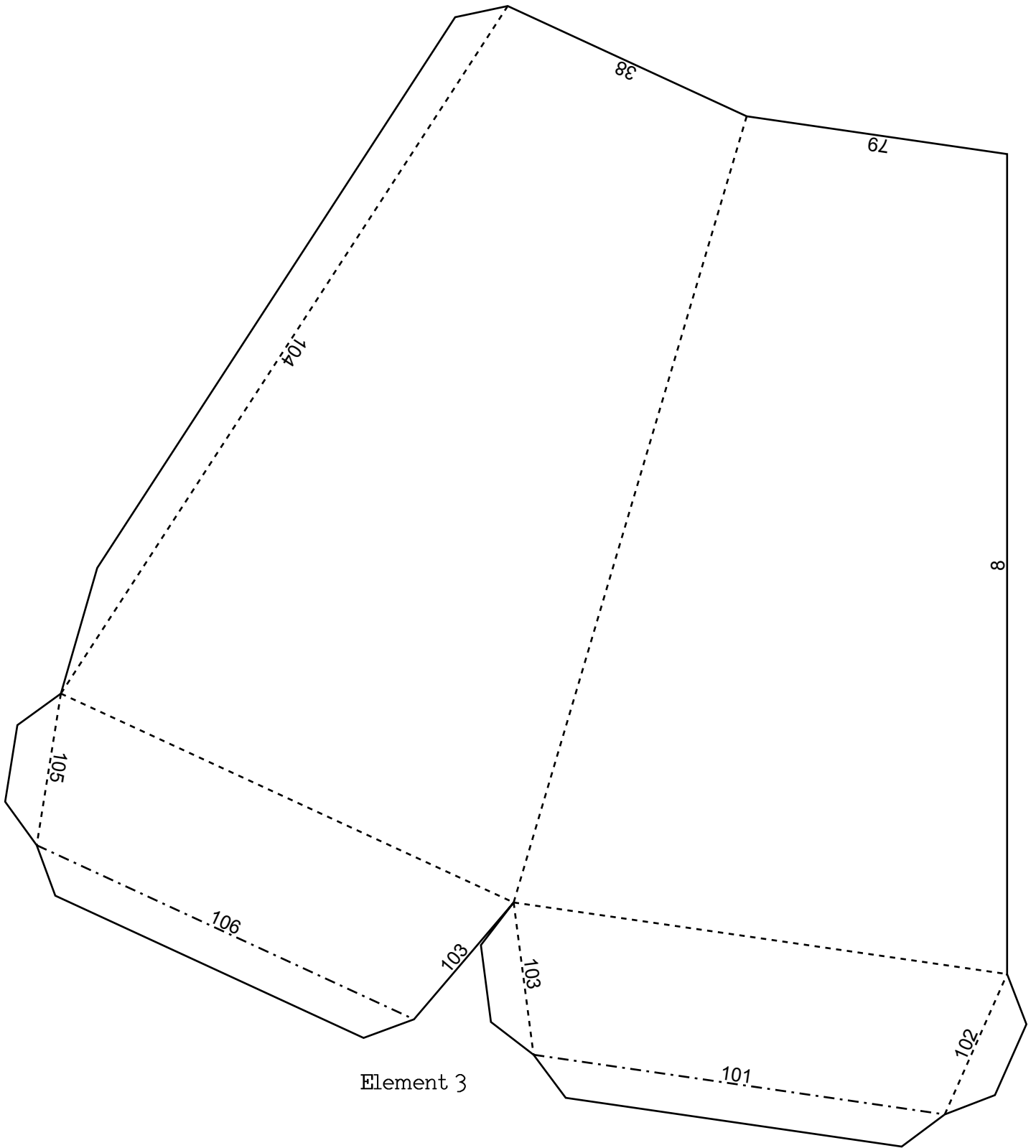
Element 2



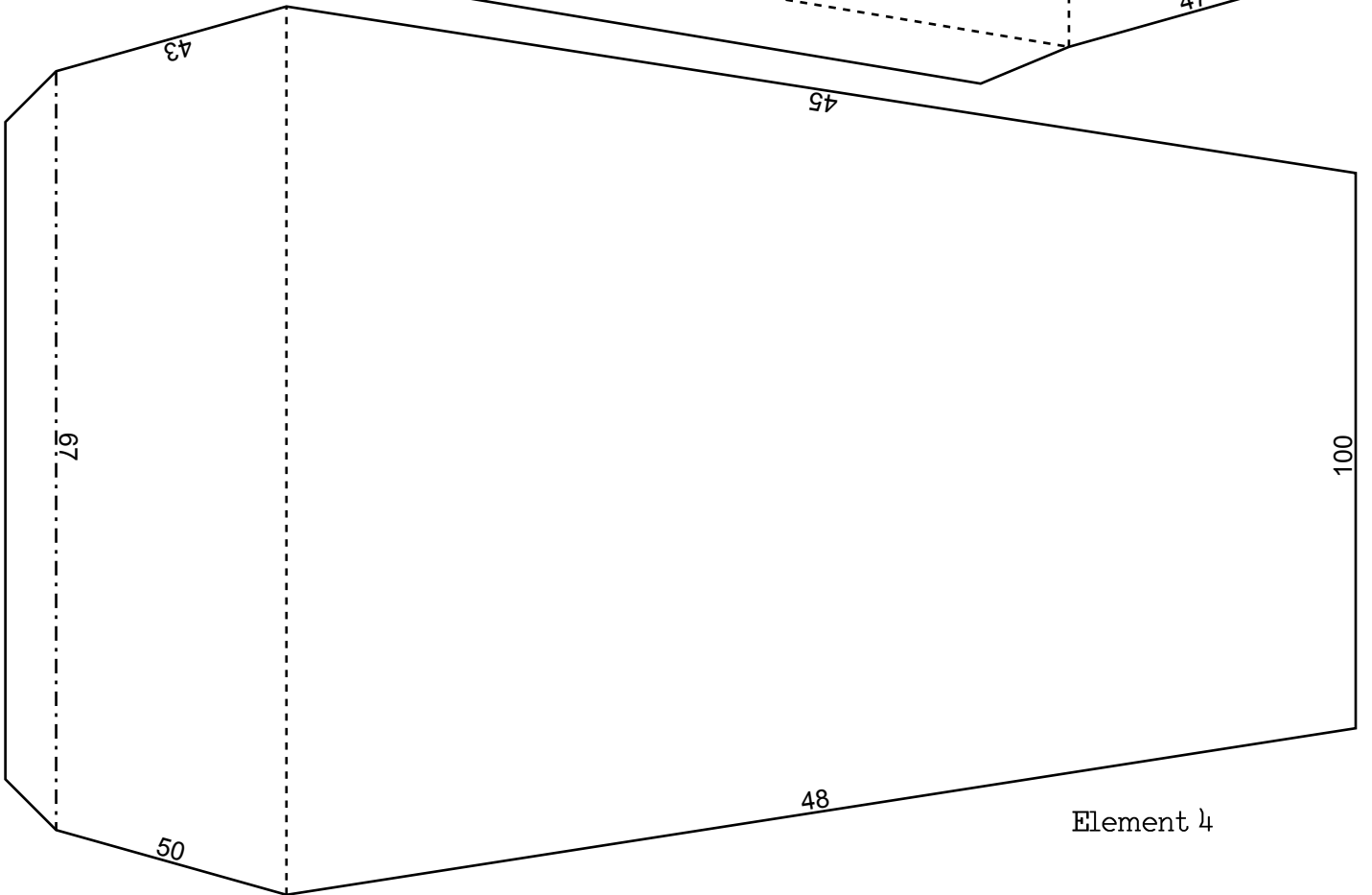
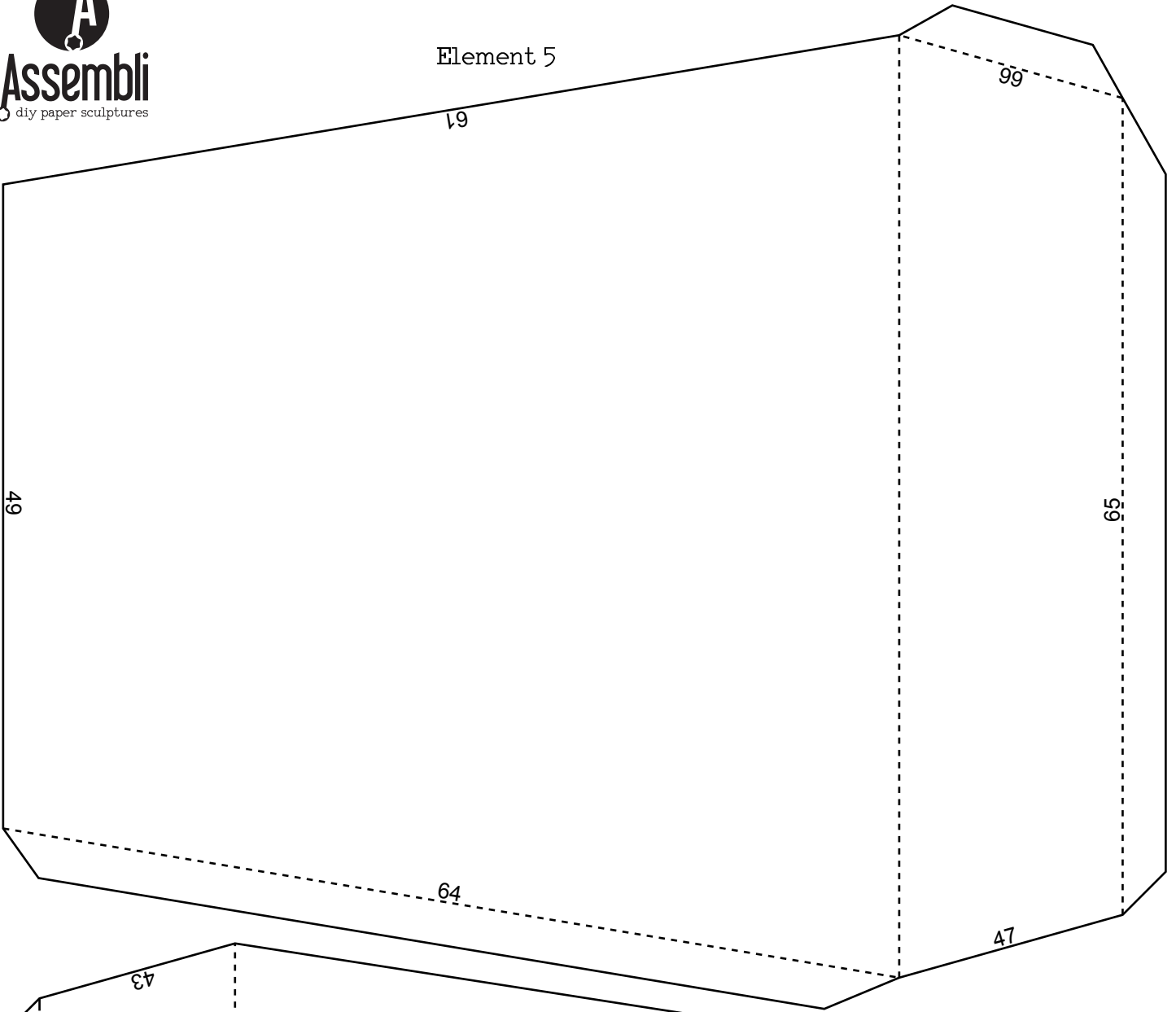
Element 3



Element 3

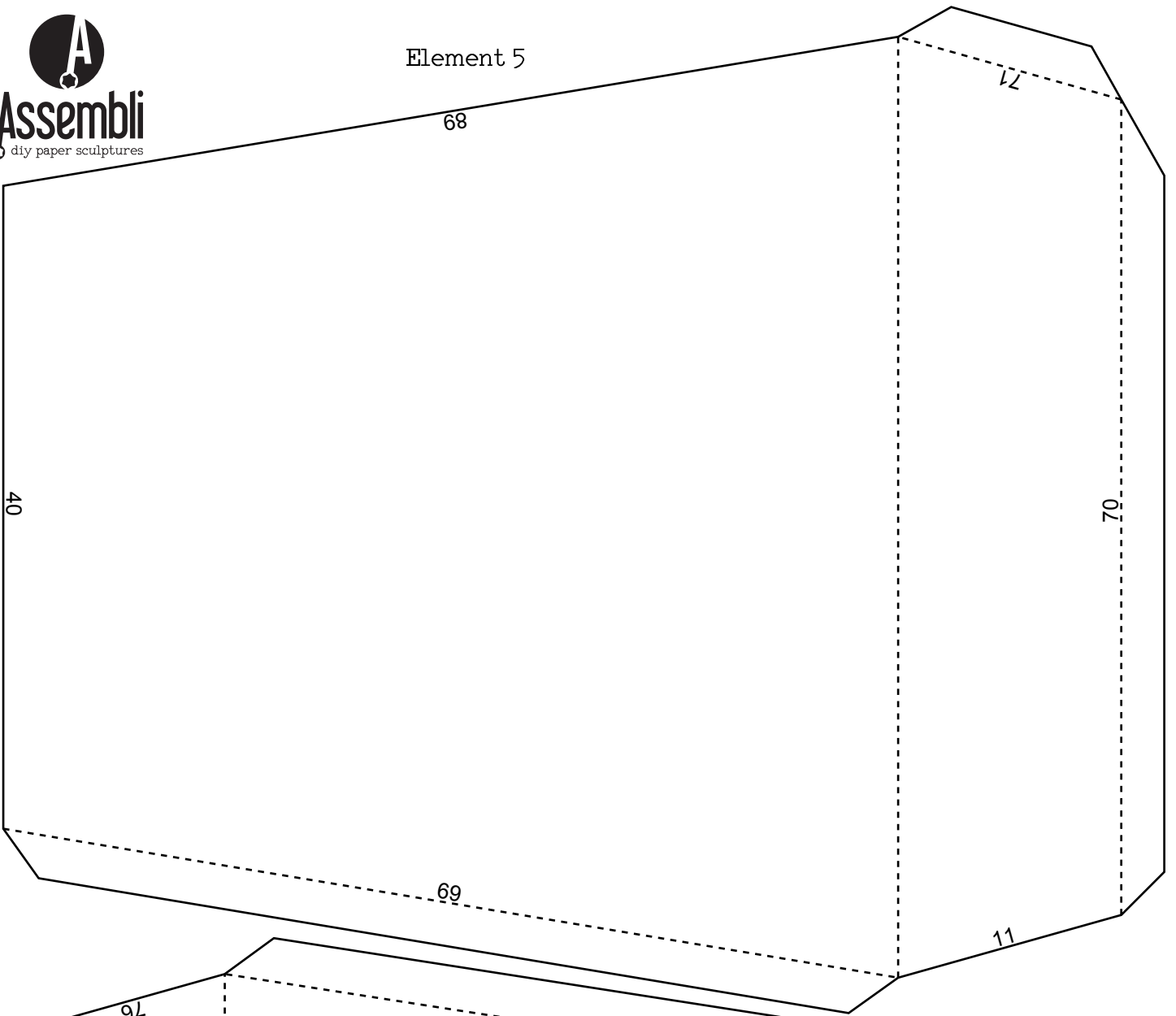


Element 5

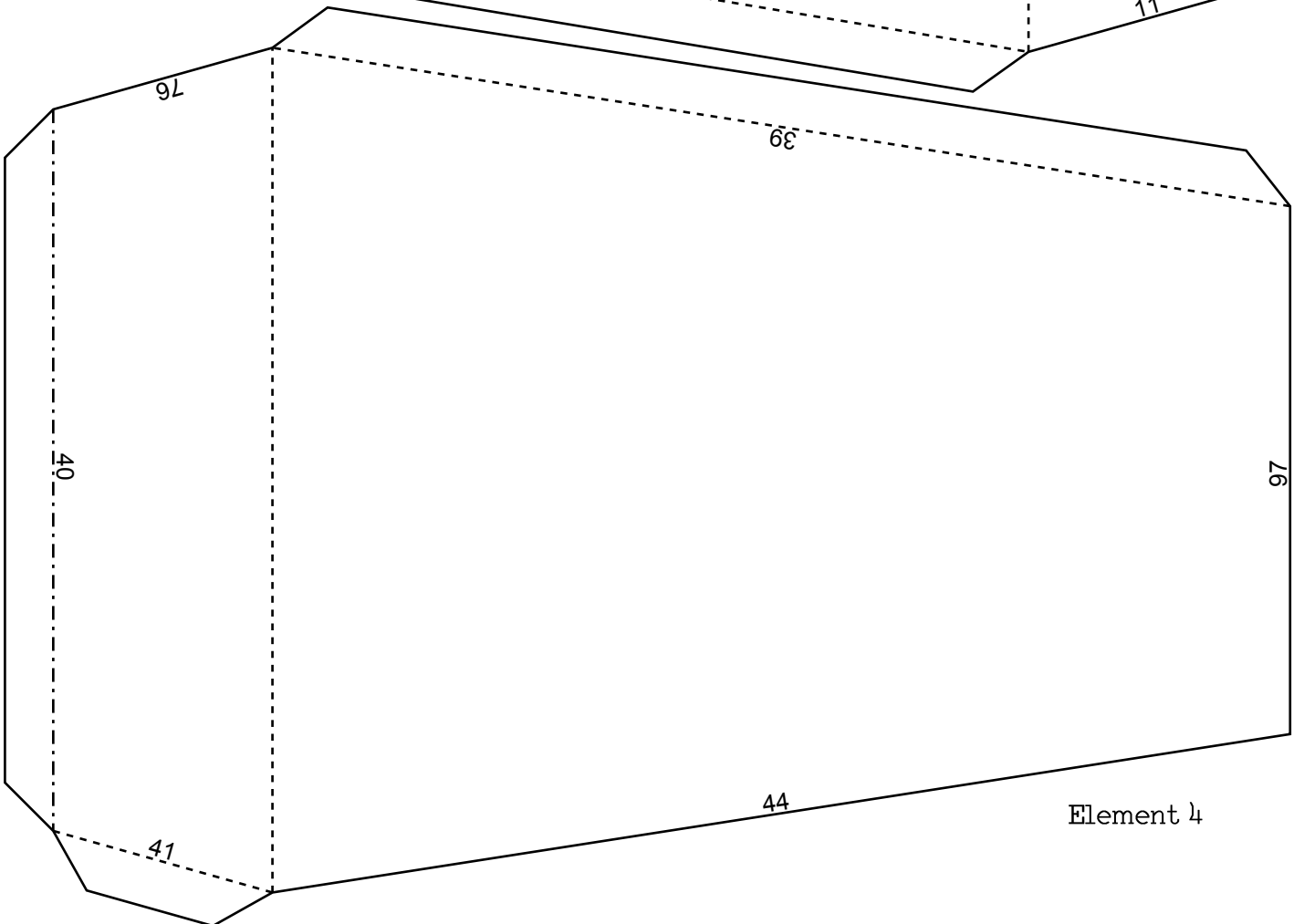


Element 4

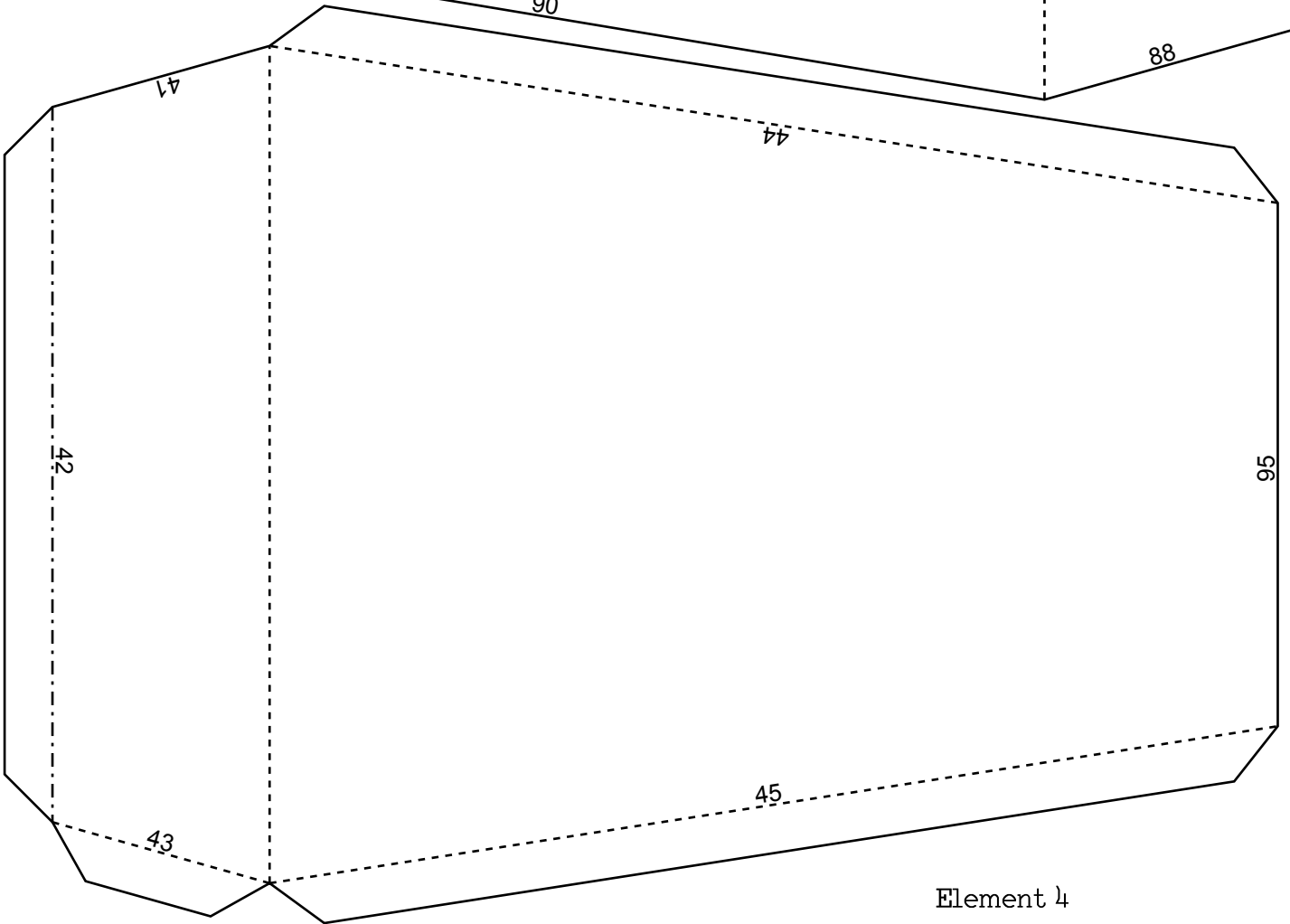
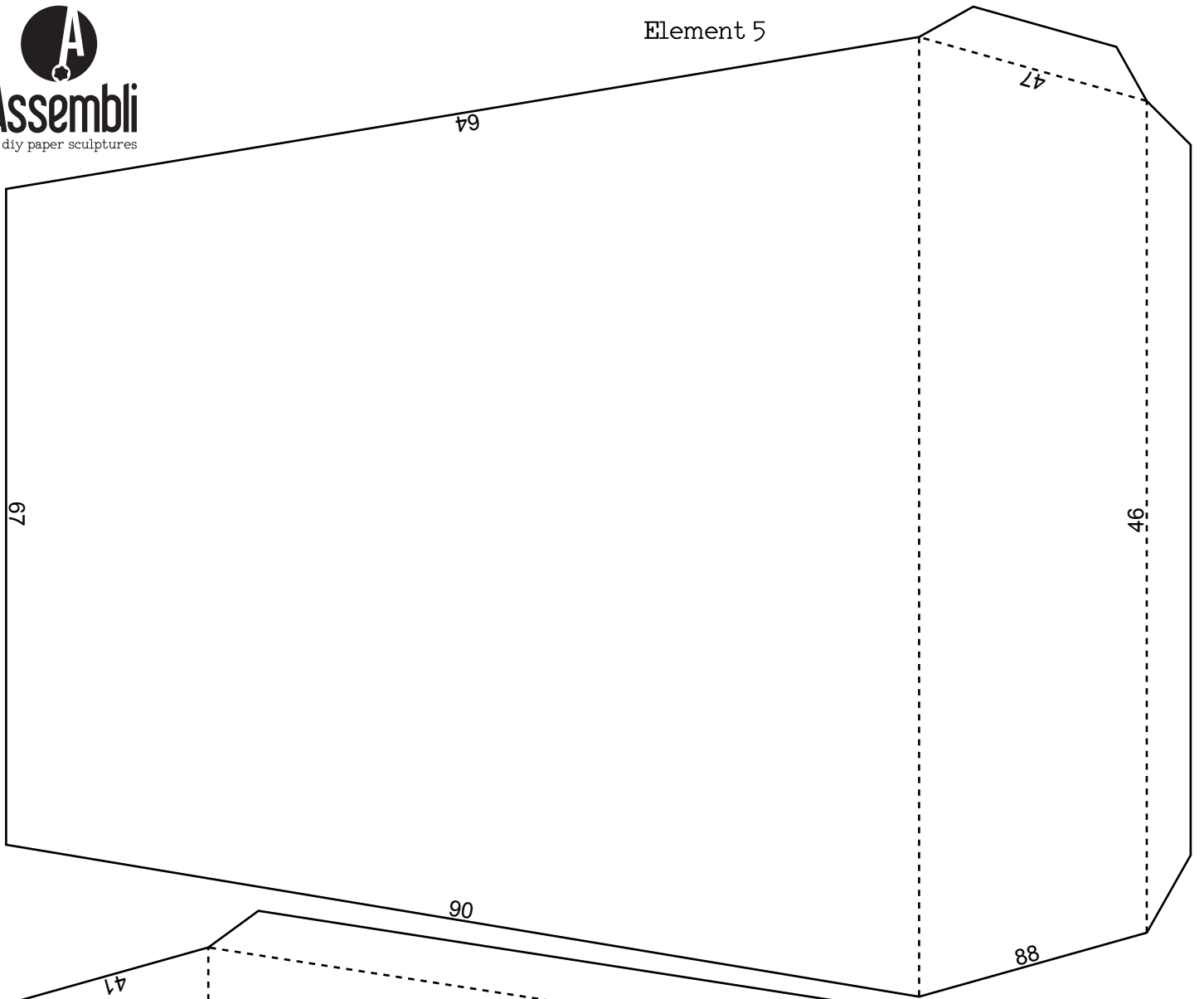
Element 5



Element 4

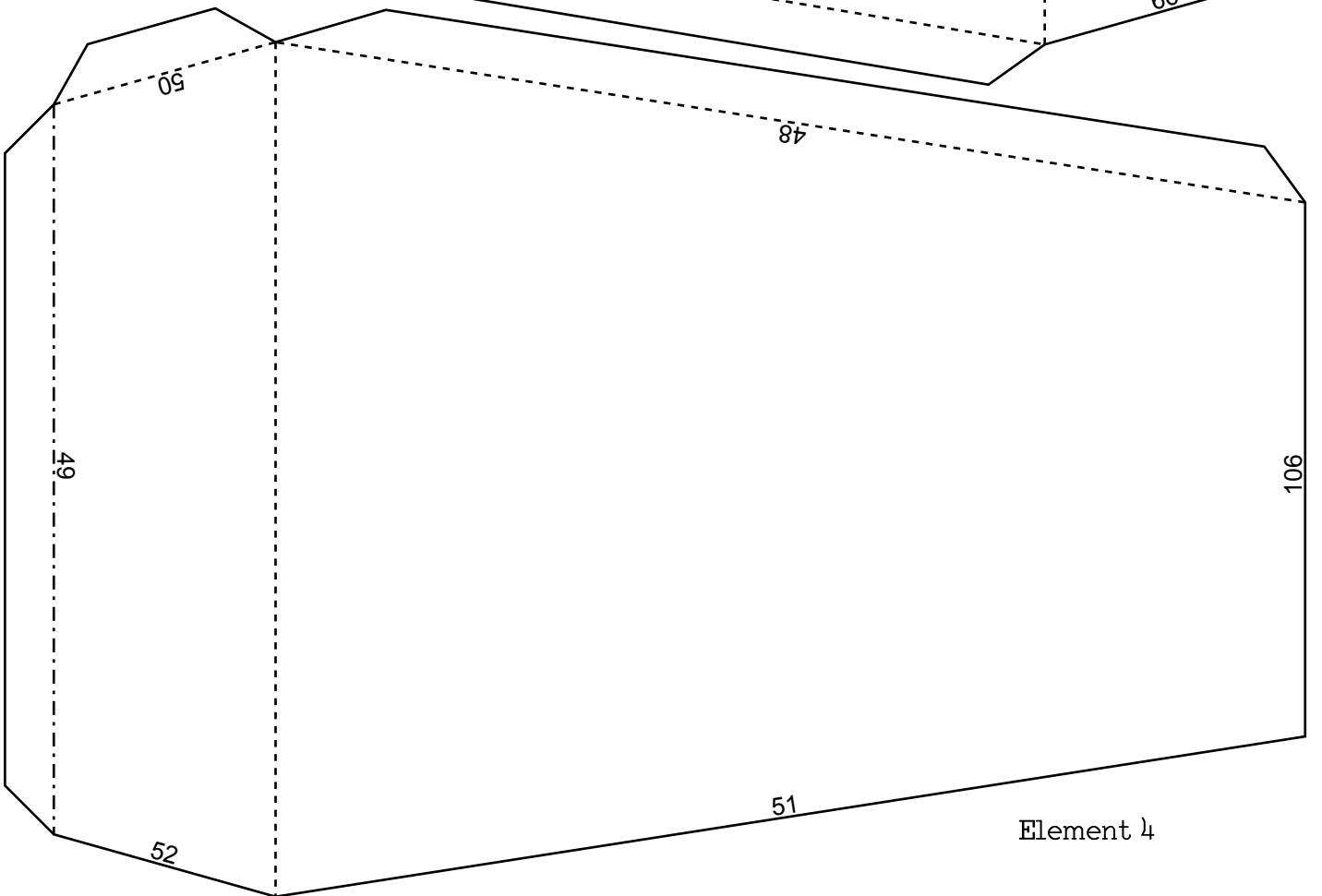
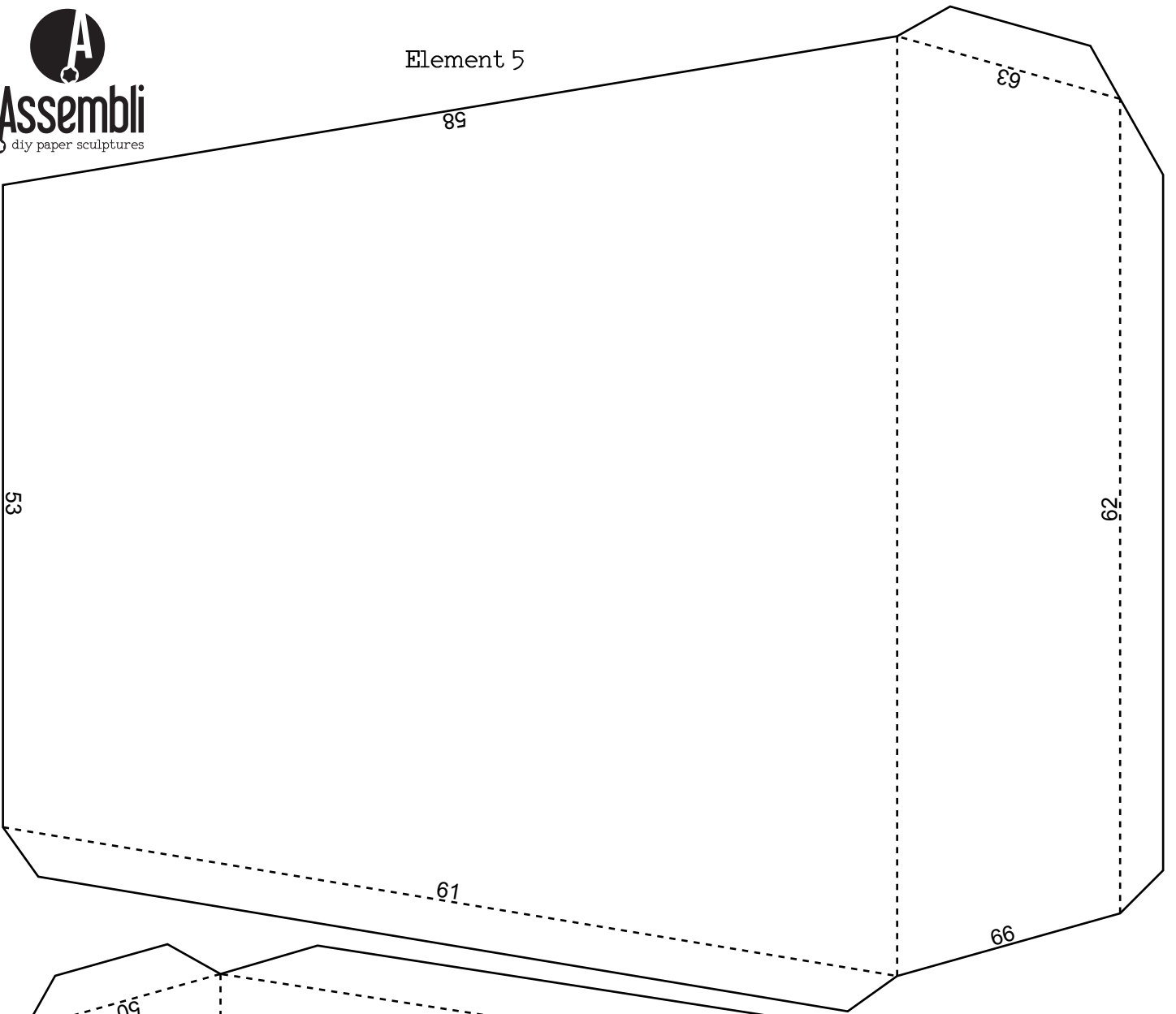


Element 5



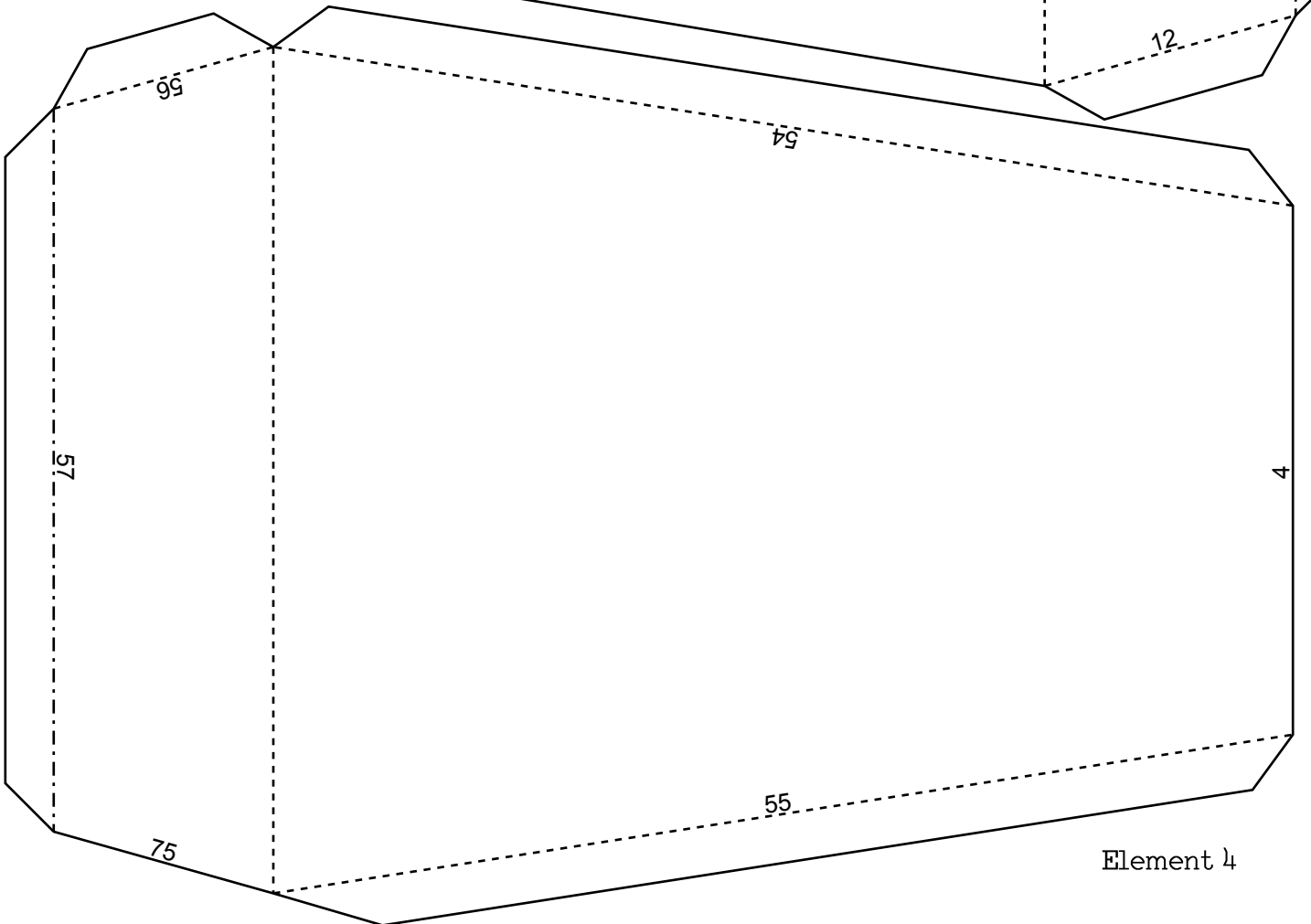
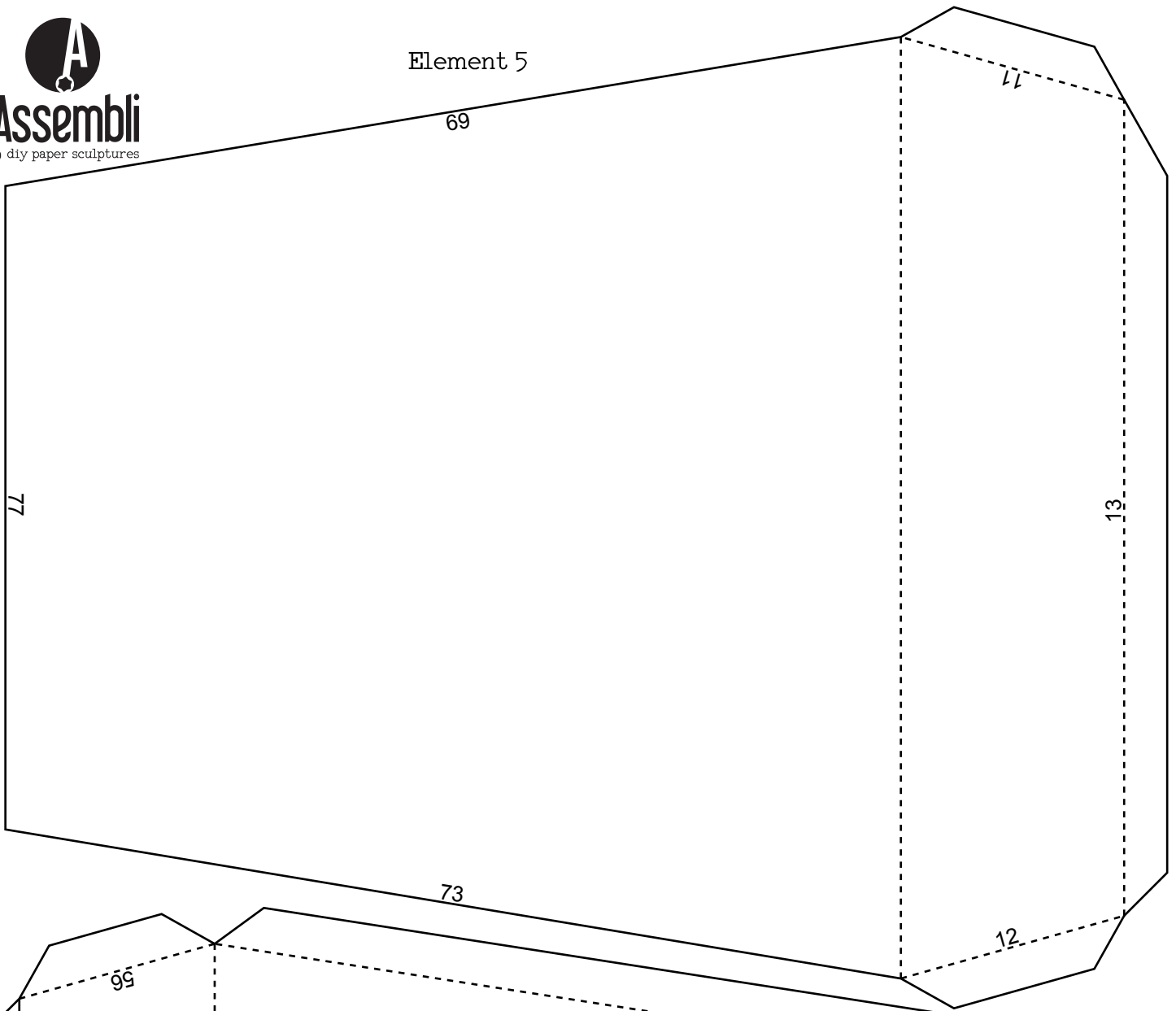
Element 4

Element 5



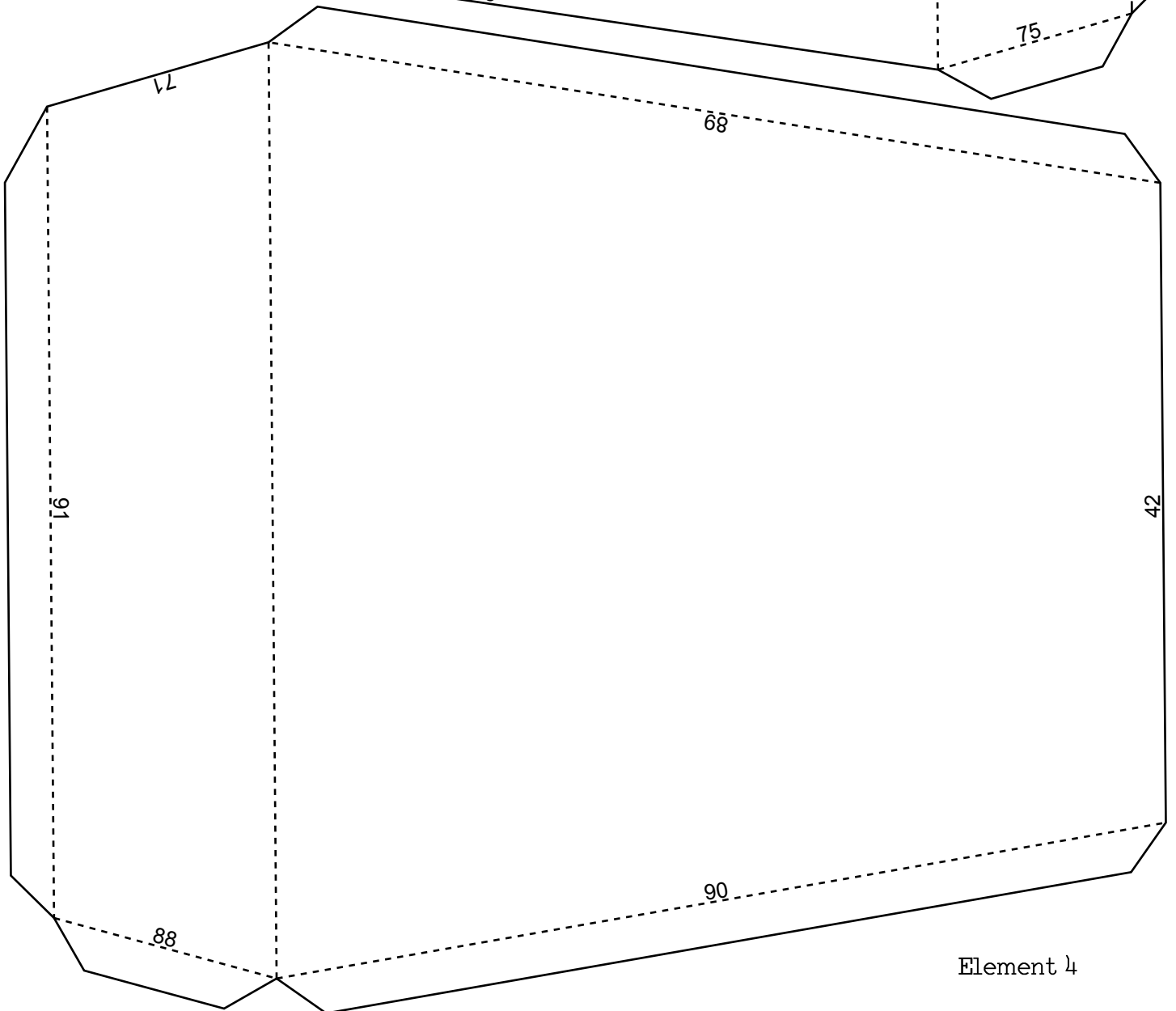
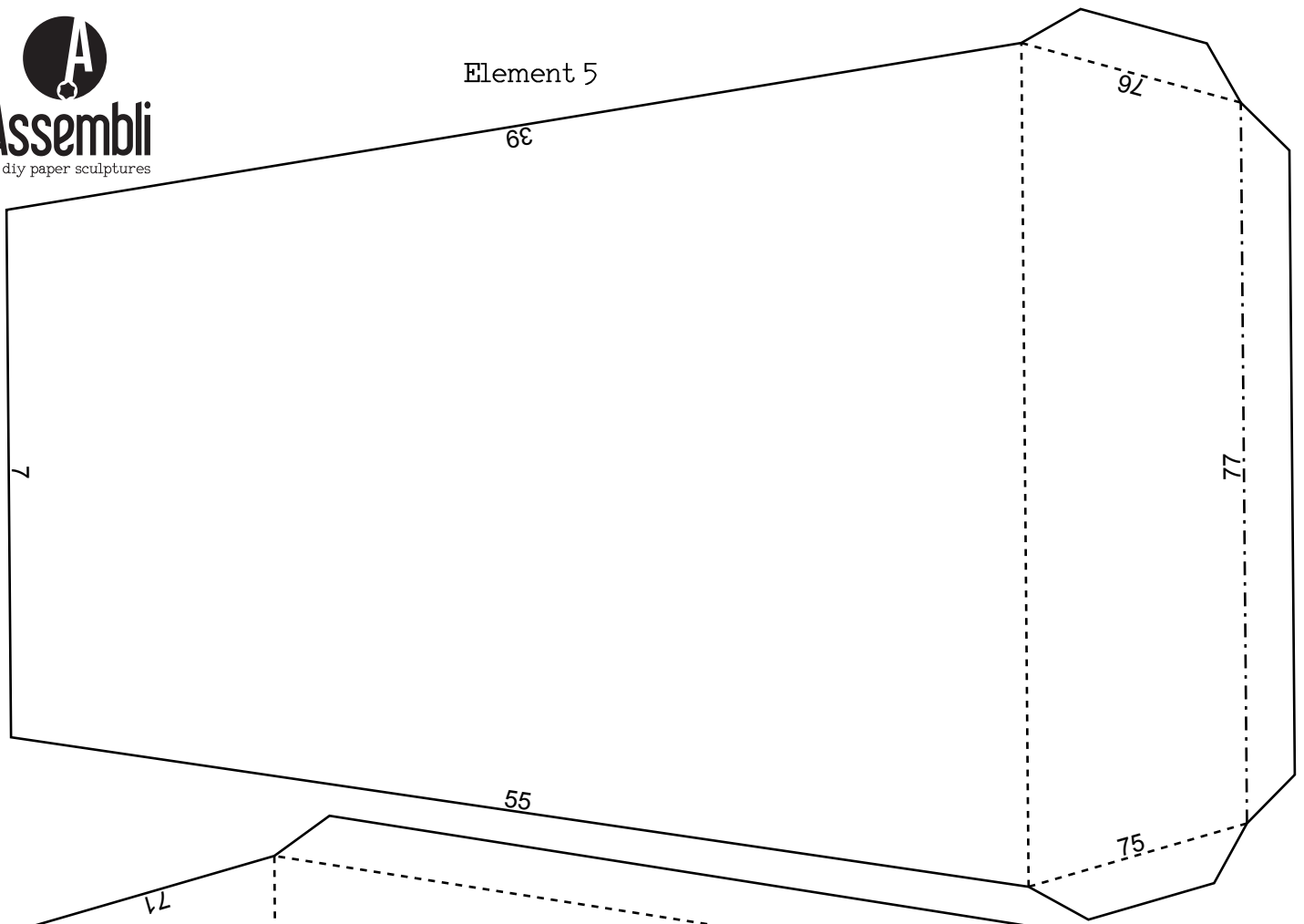
Element 4

Element 5



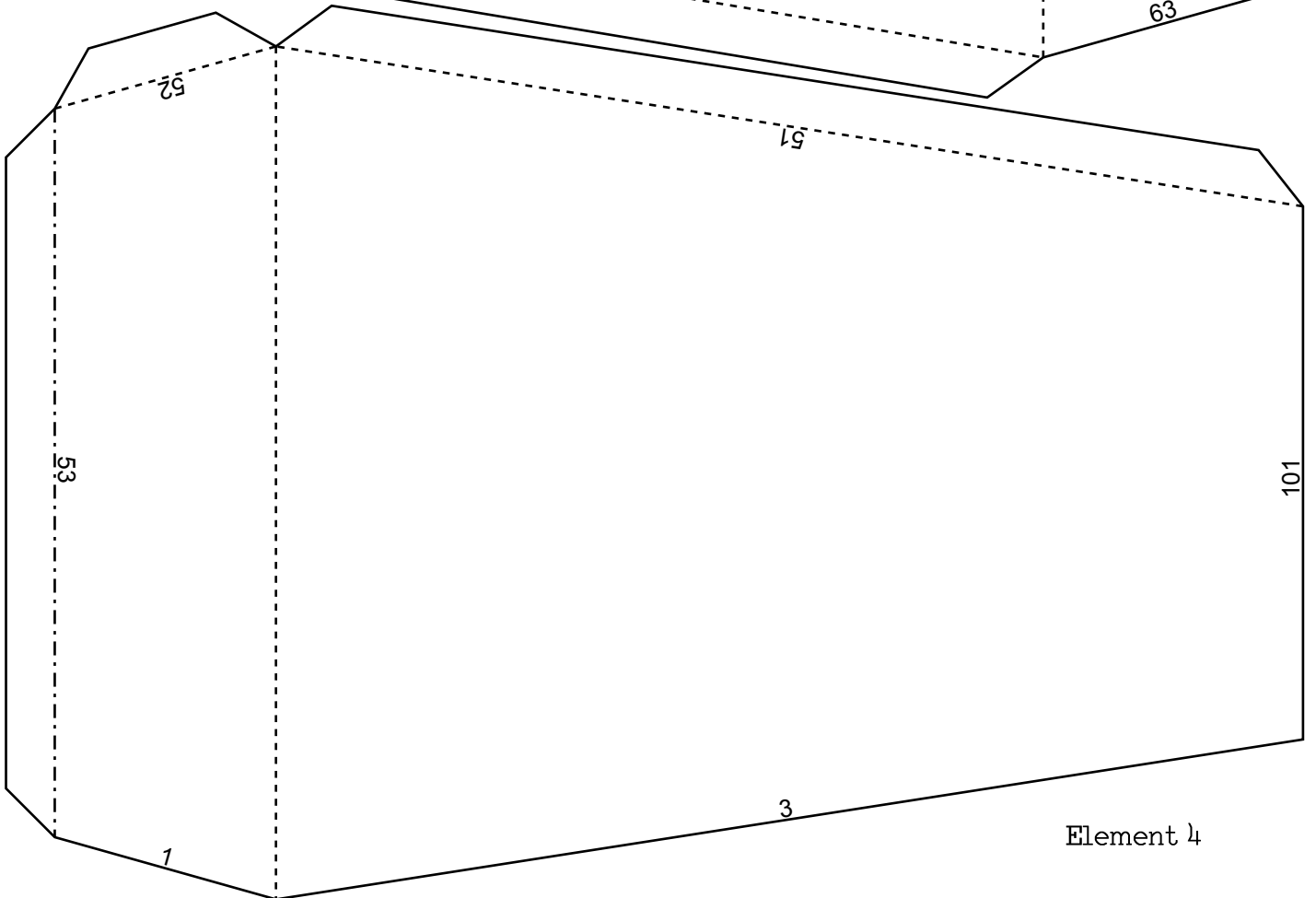
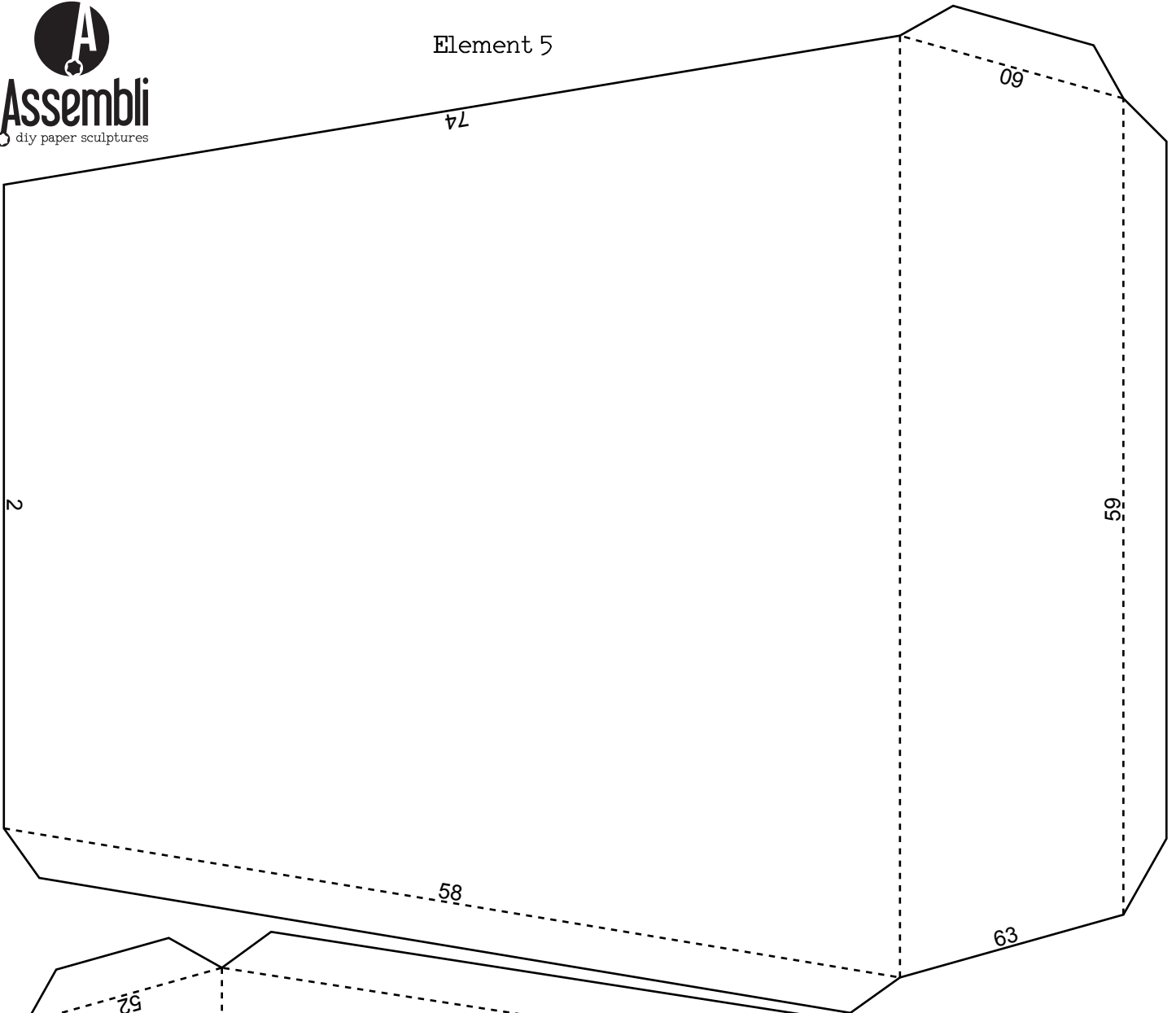
Element 4

Element 5



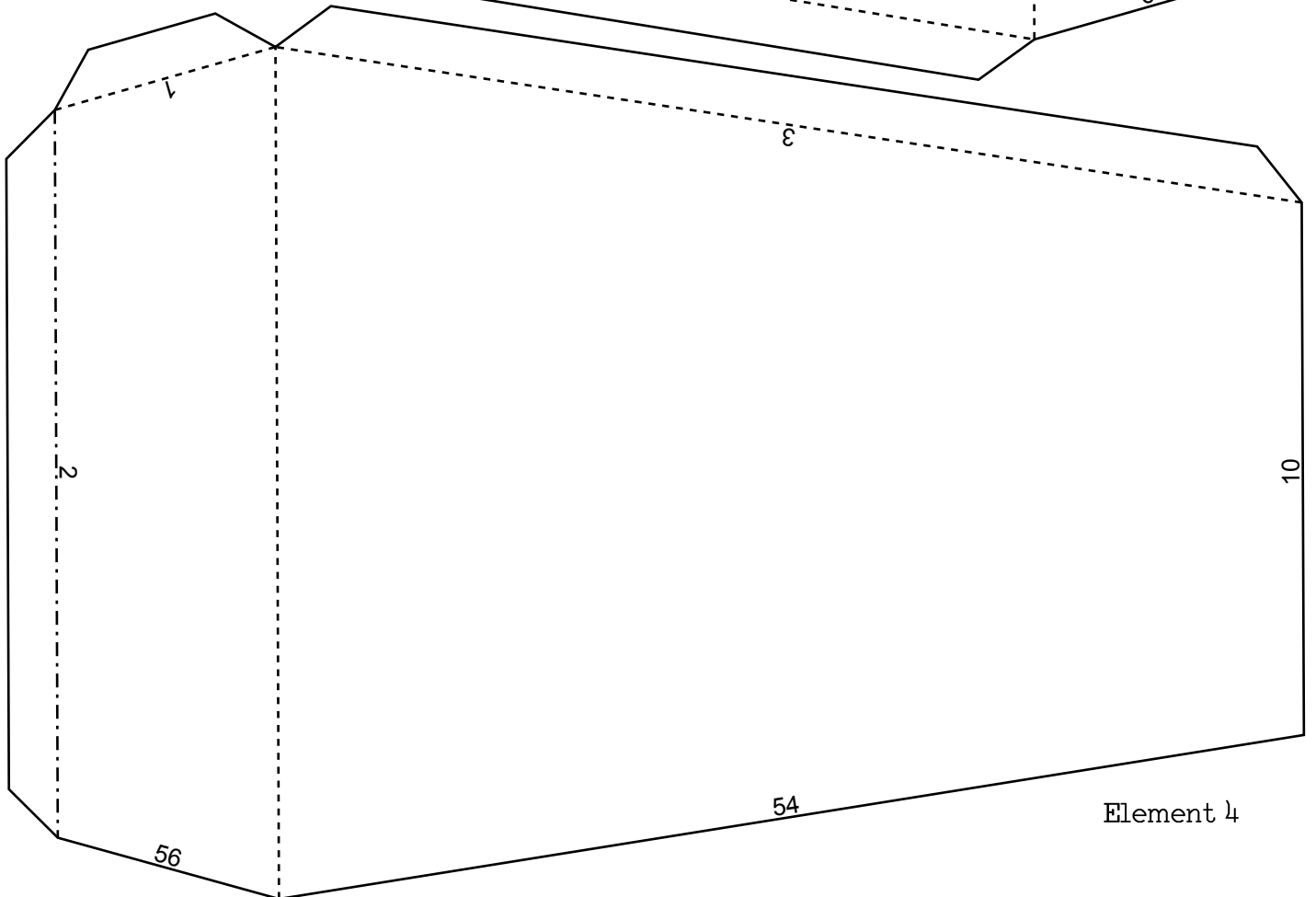
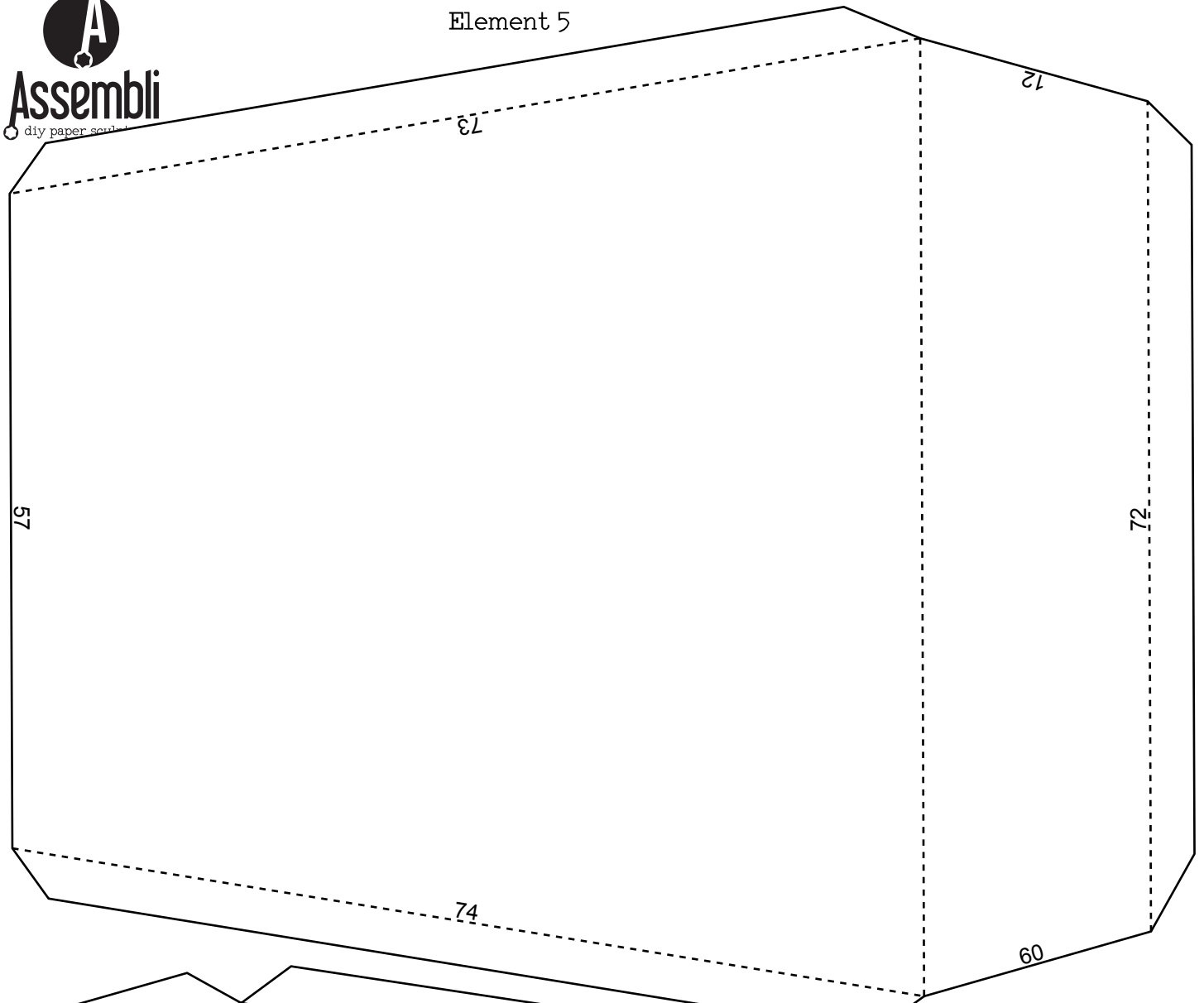
Element 4

Element 5



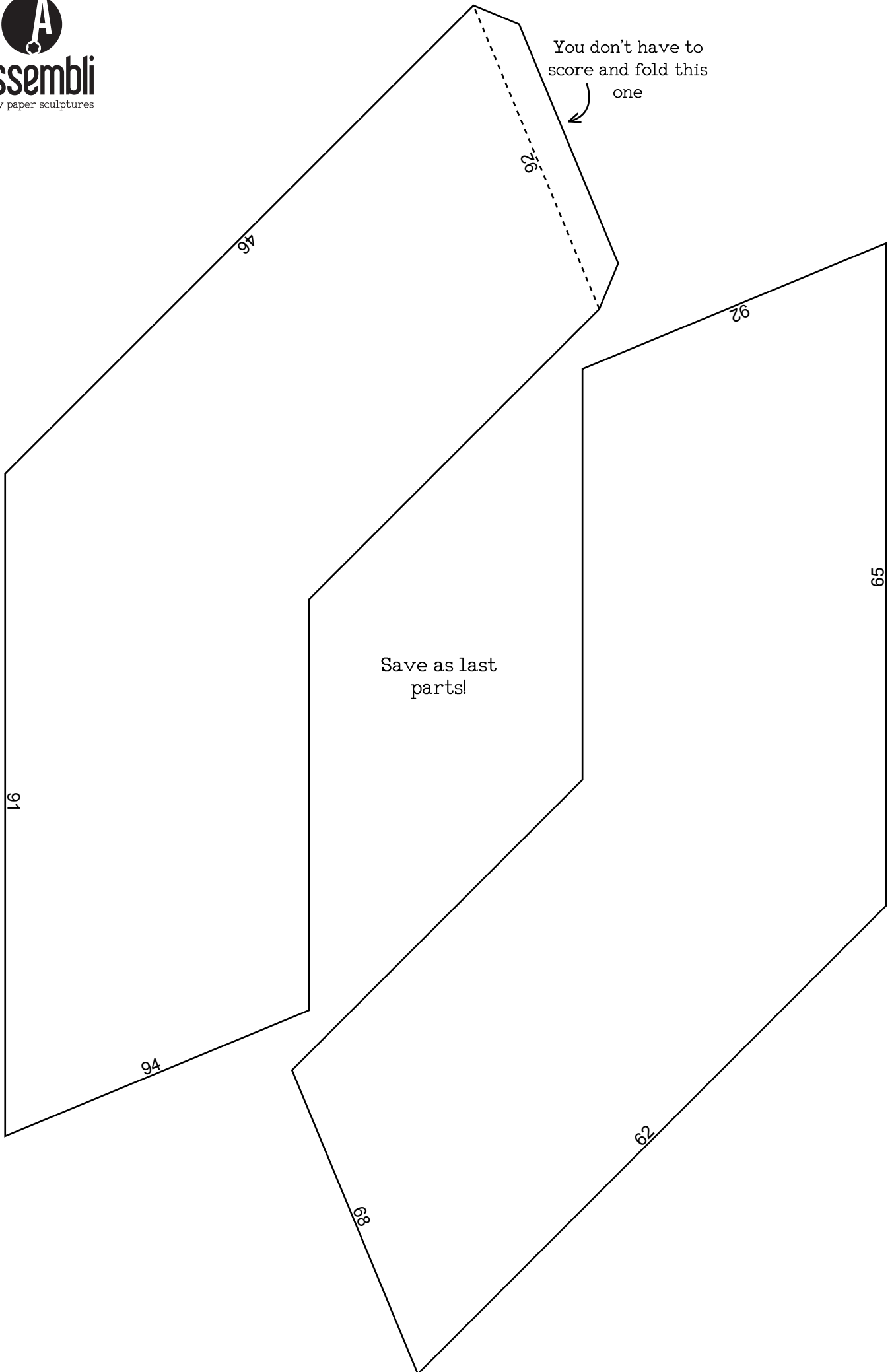
Element 4

Element 5

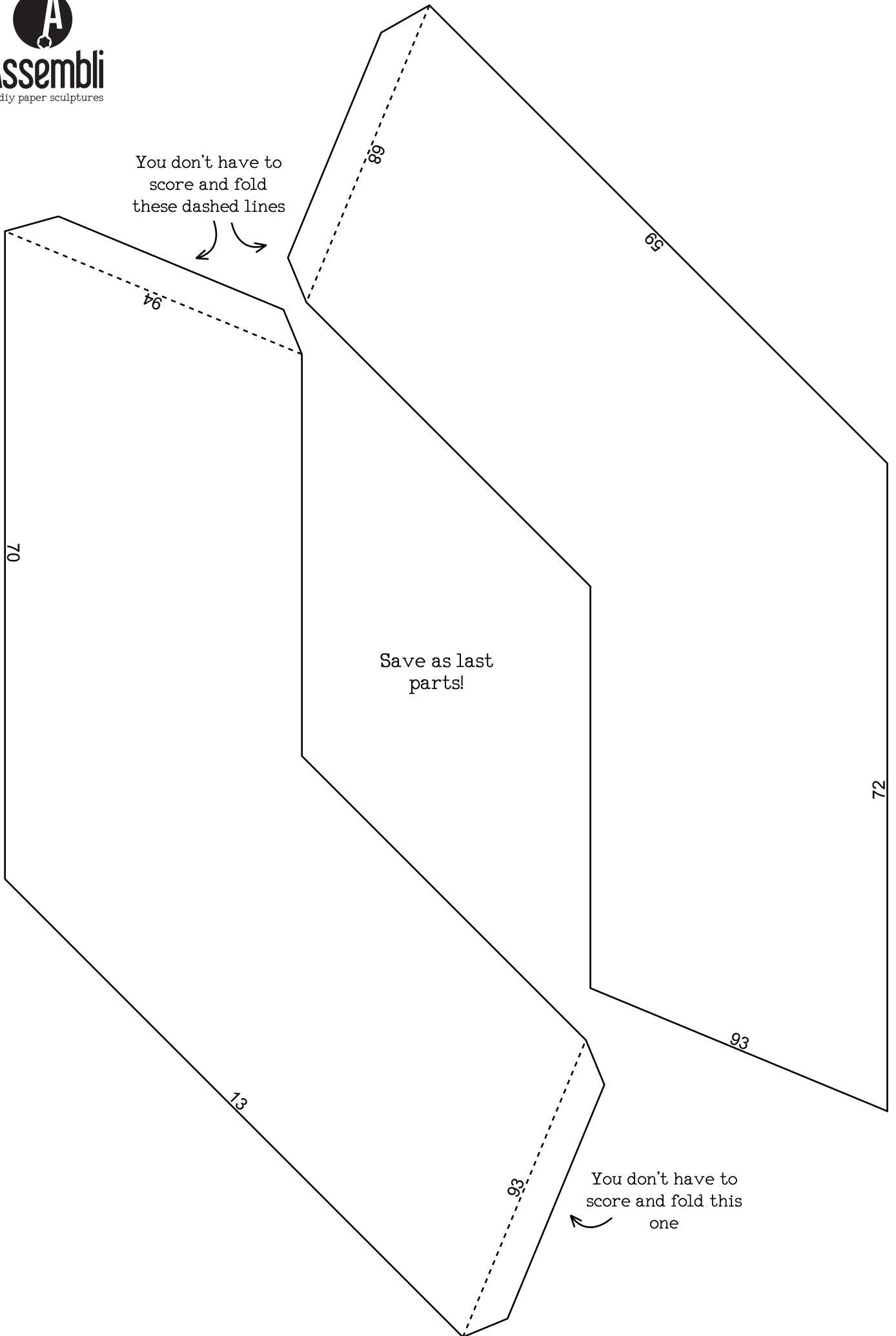
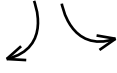


Element 4

You don't have to
score and fold this
one



You don't have to
score and fold
these dashed lines



Save as last
parts!

You don't have to
score and fold this
one

