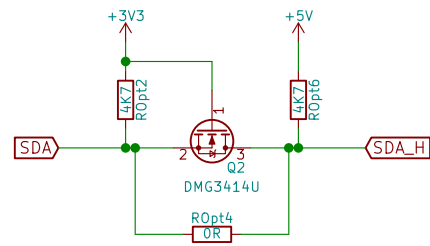
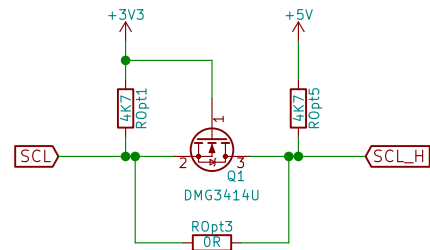
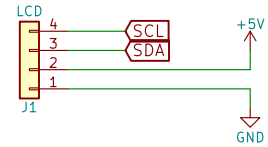


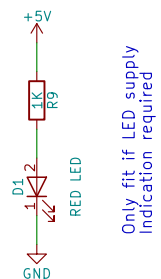
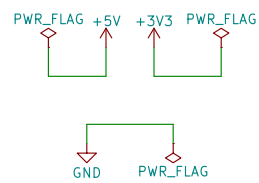
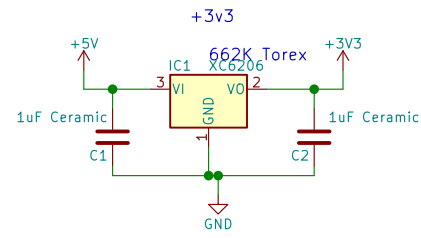
If connecting to a +5v I2C and you need I2C pull ups, fit 4K7 resistors to resistor pair R0pt5/R0pt6

If interfacing to +5v I2C fit R0pt3 and R0pt4. Do not Fit Q1, Q2, R0pt1, R0pt2, R0pt5, R0pt6, IC1, C1 or C2

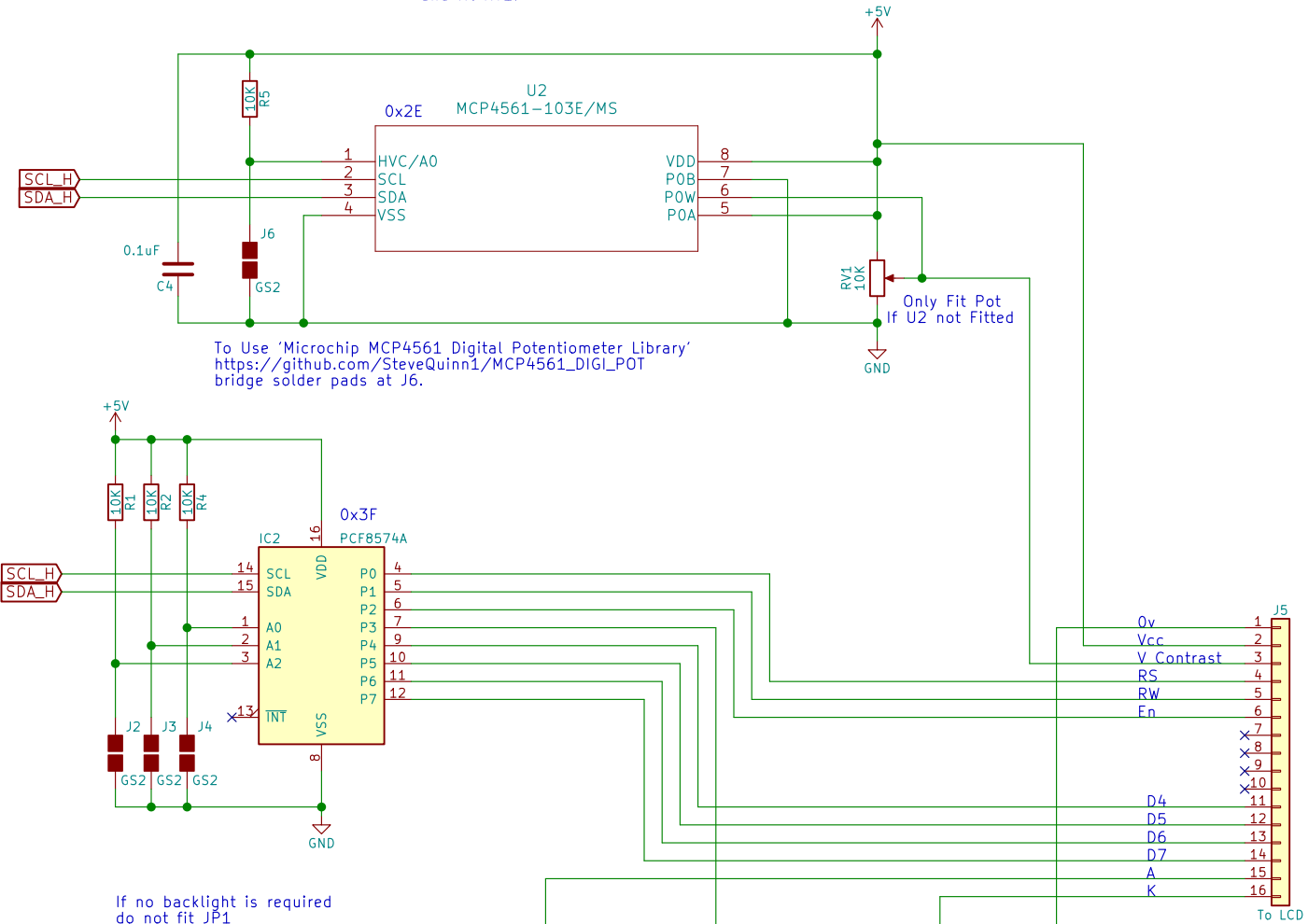
If digital contrast setting is not required don't fit C4, R5 or U2 and fit RV1.



Note on PCB silk screen R0pt is marked Ro. ie. R0pt1 = Ro1

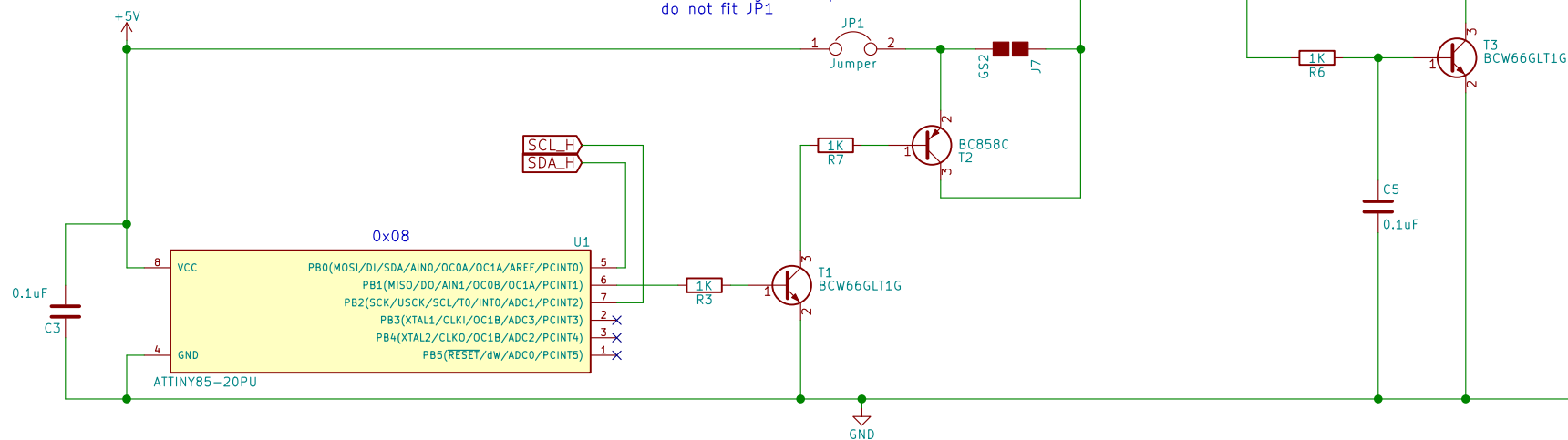


Only fit if LED supply Indication required

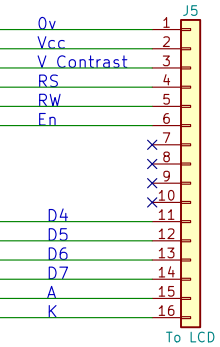


To Use 'Microchip MCP4561 Digital Potentiometer Library' https://github.com/SteveQuinn1/MCP4561_DIGI_POT bridge solder pads at J6.

If no backlight is required do not fit JP1



If smooth fading is not required; Don't fit C3, U1, R3, T1, R7 or T2 and bridge solder pads at J7



LCD Control Board
LCD, Contrast & Backlight Control

Sheet: /
File: LCD_Controller.sch

Title:

Size: A3 Date:
KiCad E.D.A. kicad 4.0.7

Rev:
Id: 1/1