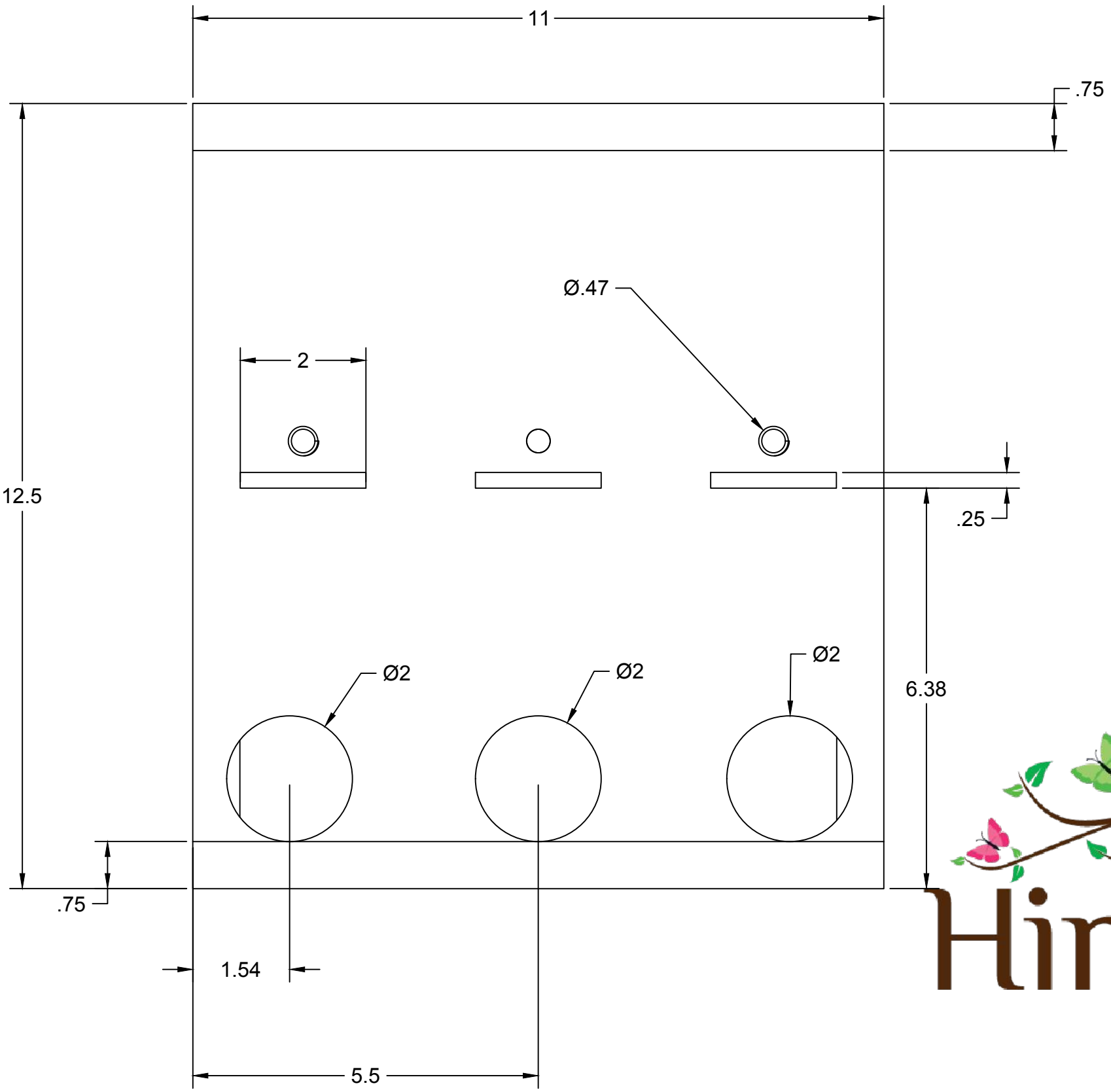


PARTS LIST			
ITEM	QTY	PART NUMBER	DESCRIPTION
1	1	TOP	
2	1	BOTTOM	
3	3	4880K776_STANDARD-WALL WHITE PVC PIPE FITTING	
4	1	BACK	
5	1	SIDE	
6	1	FRONT	
7	1	SIDE (1)	
8	1	MIDDLE SECTION	
9	3	SLIDER	
10	3	PUSHBUTTON	
11	3	DOWEL	
12	1	9657K123	
13	1	COMPONENT19	
14	1	COMPONENT41	
15	3	SPRING	
16	2	INSERT	

Exploded View

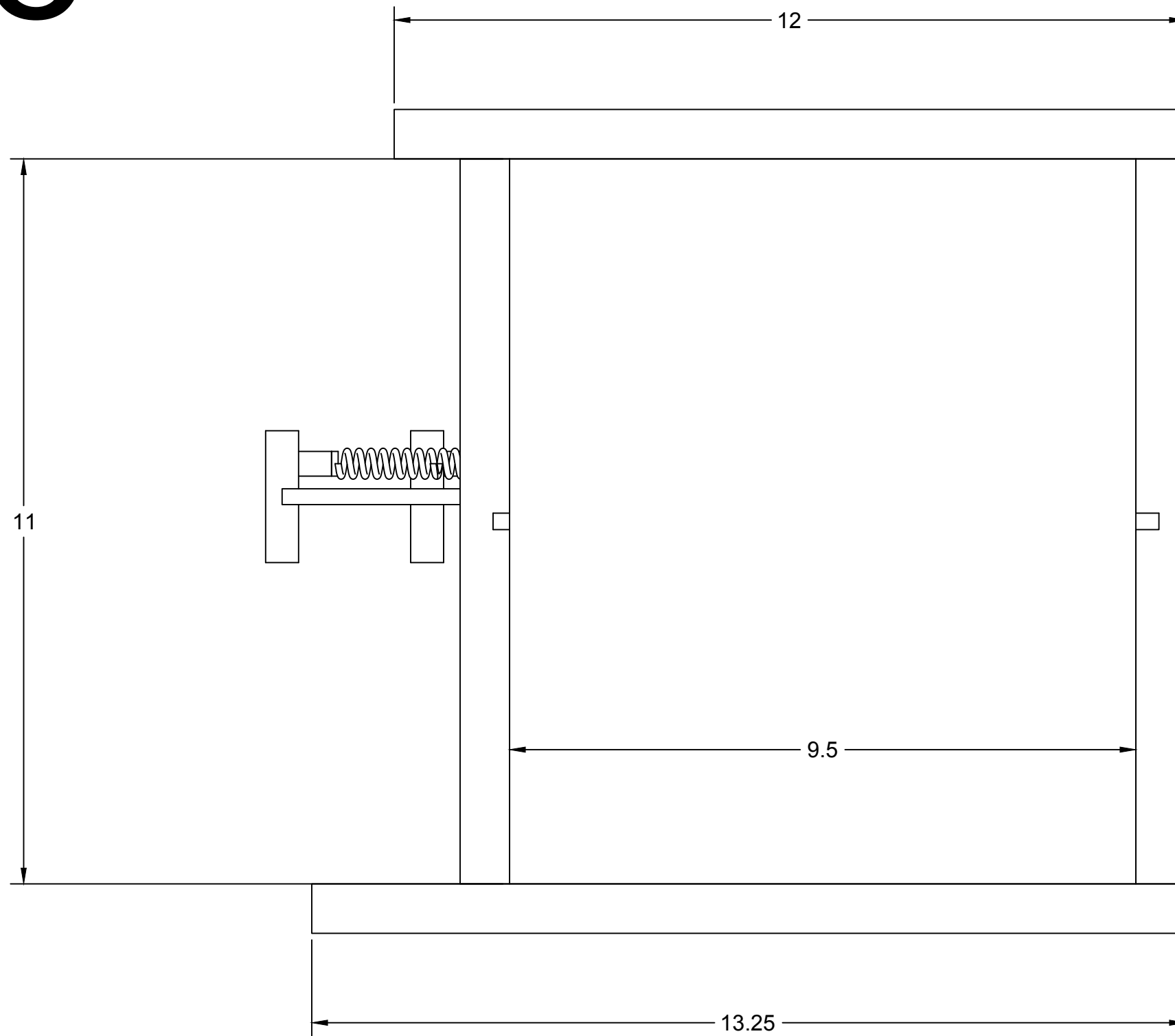


Front



Him and l

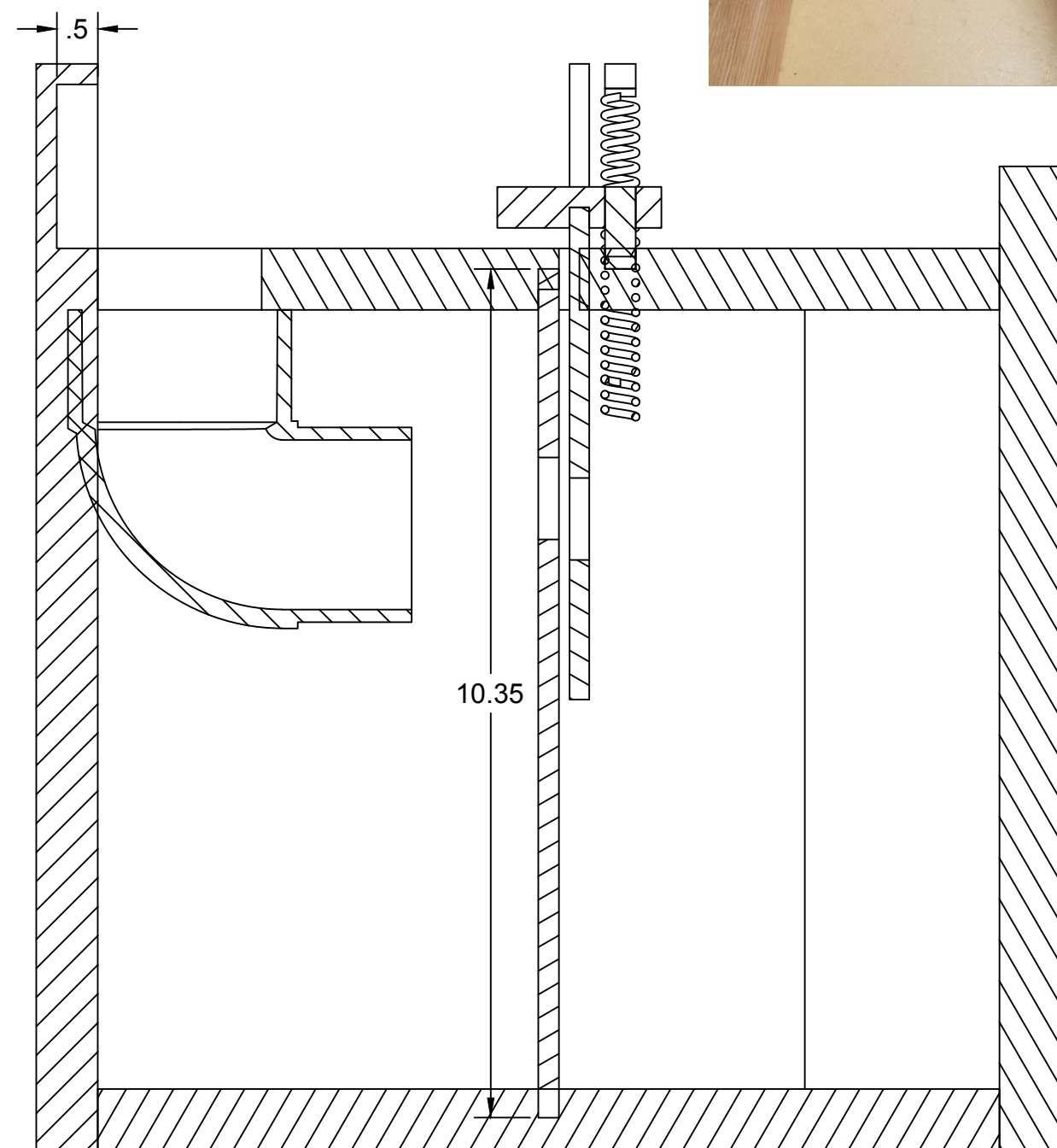
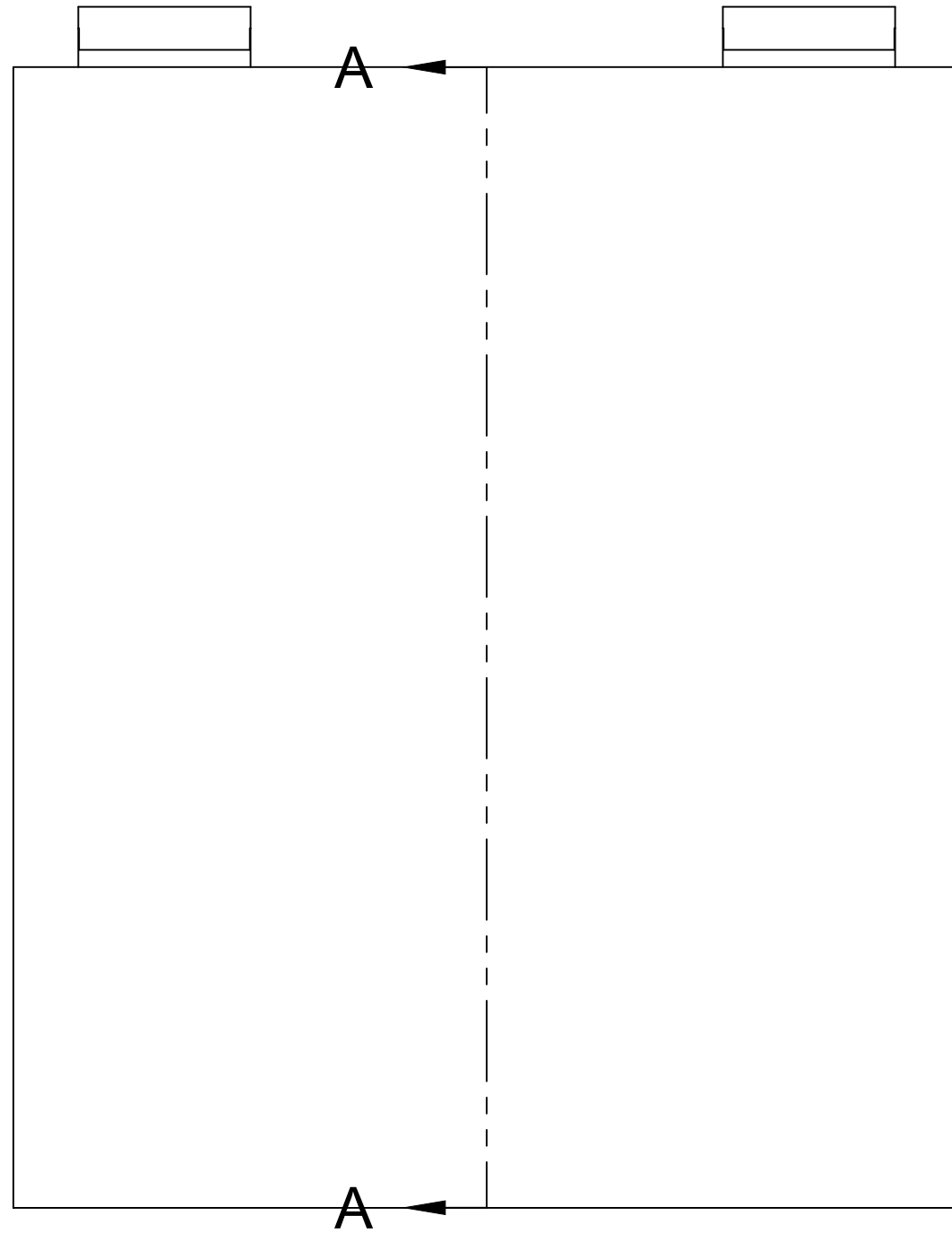
Side



Him and I

Section

View



SECTION A-A
SCALE 1:2

Top no lid

