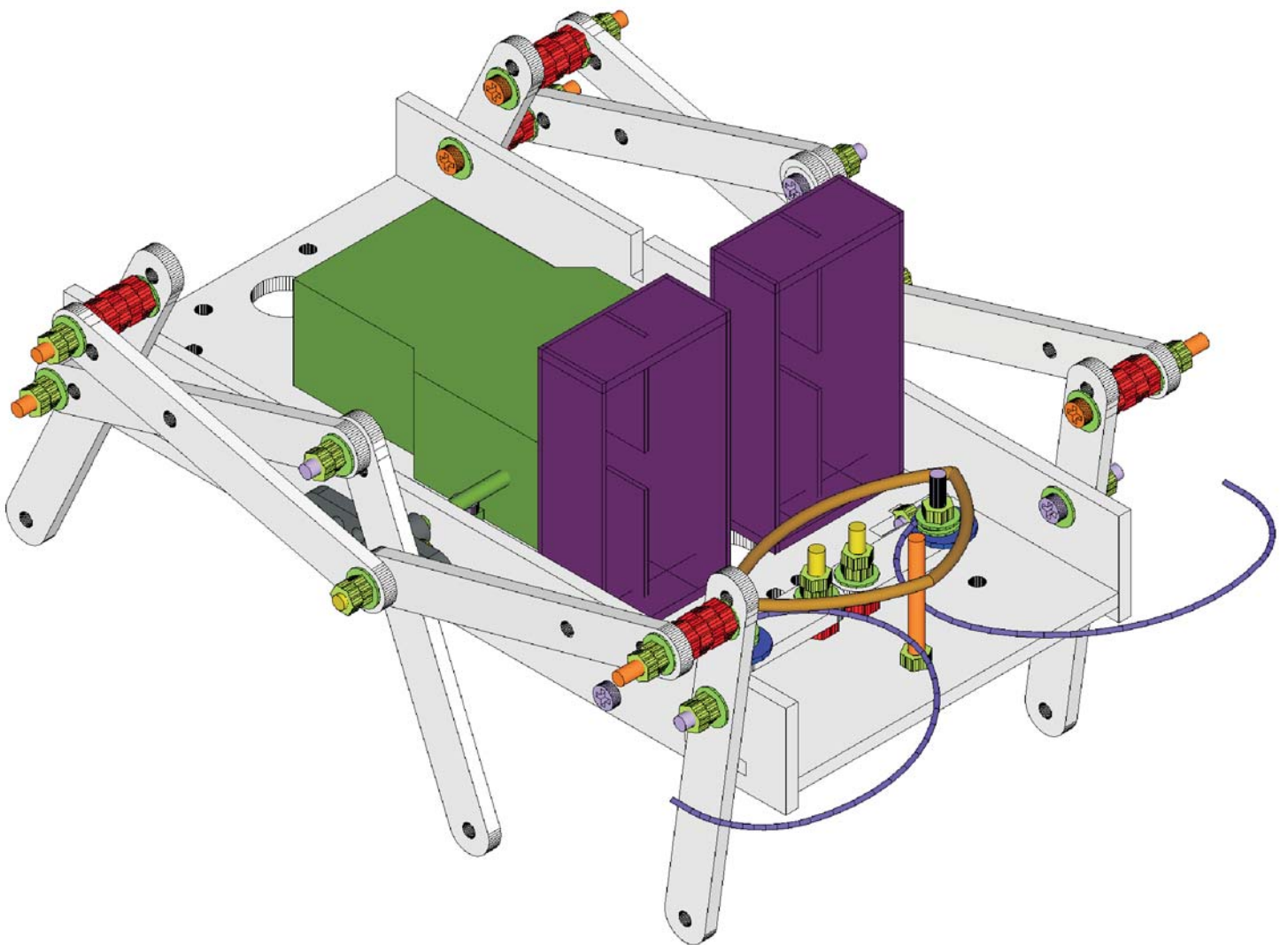


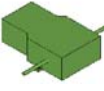



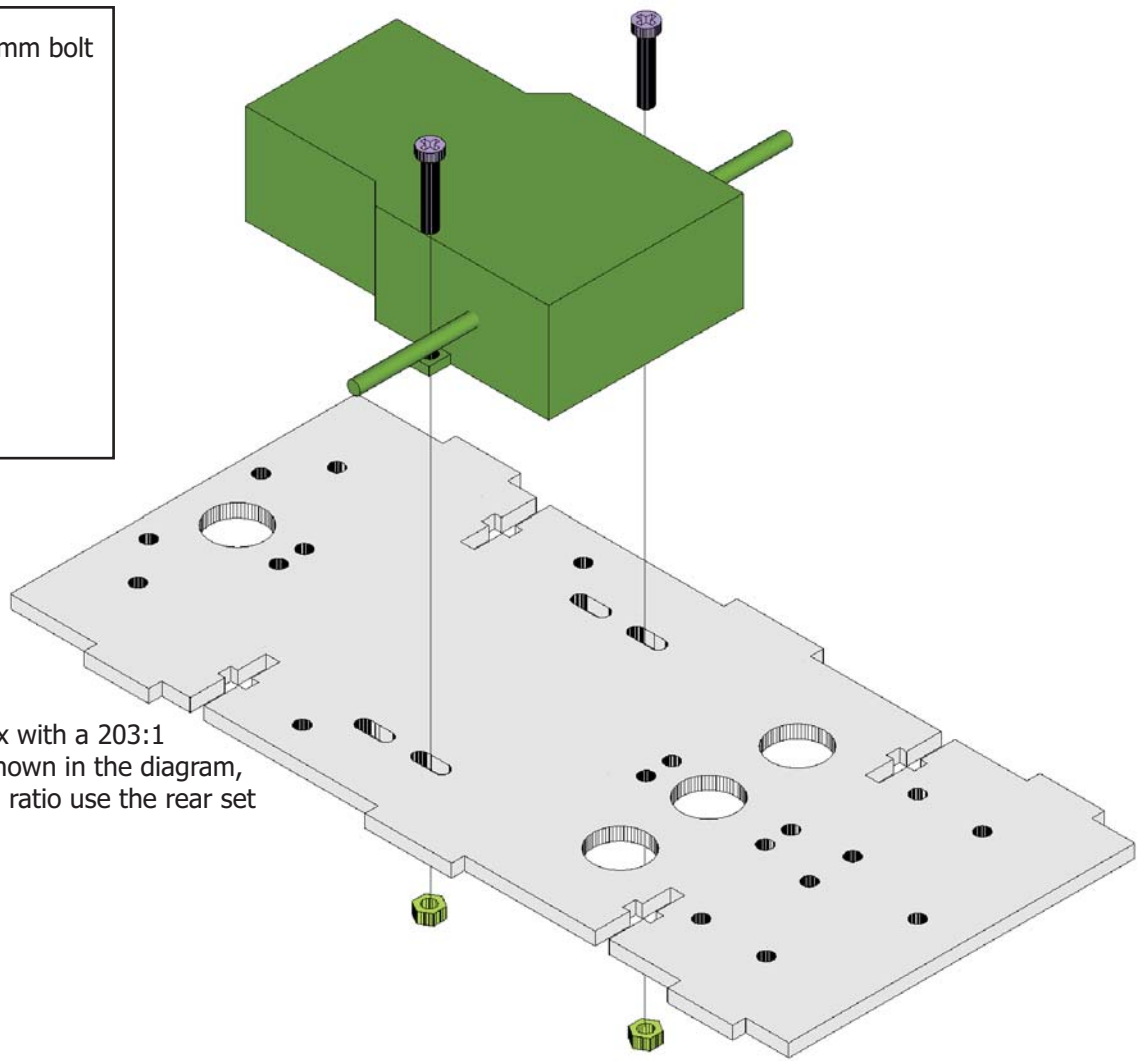
Obstacle Avoiding Walking Robot Assembly Guide



OAWR







1.

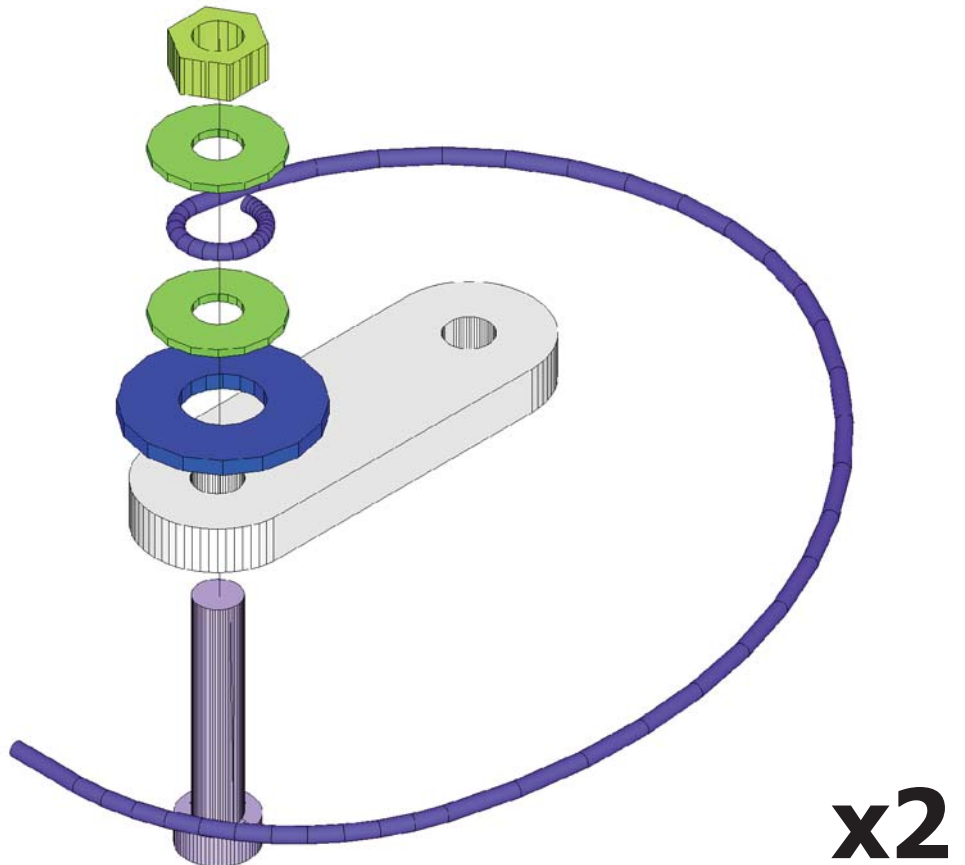
-  3mm x 15mm bolt
x2
-  3mm nut
x2
-  motor
x1
-  base
x1



(if you have built your gearbox with a 203:1 ratio use the mounting hole shown in the diagram, if you have built it with a 58:1 ratio use the rear set of mounting holes instead)





2.

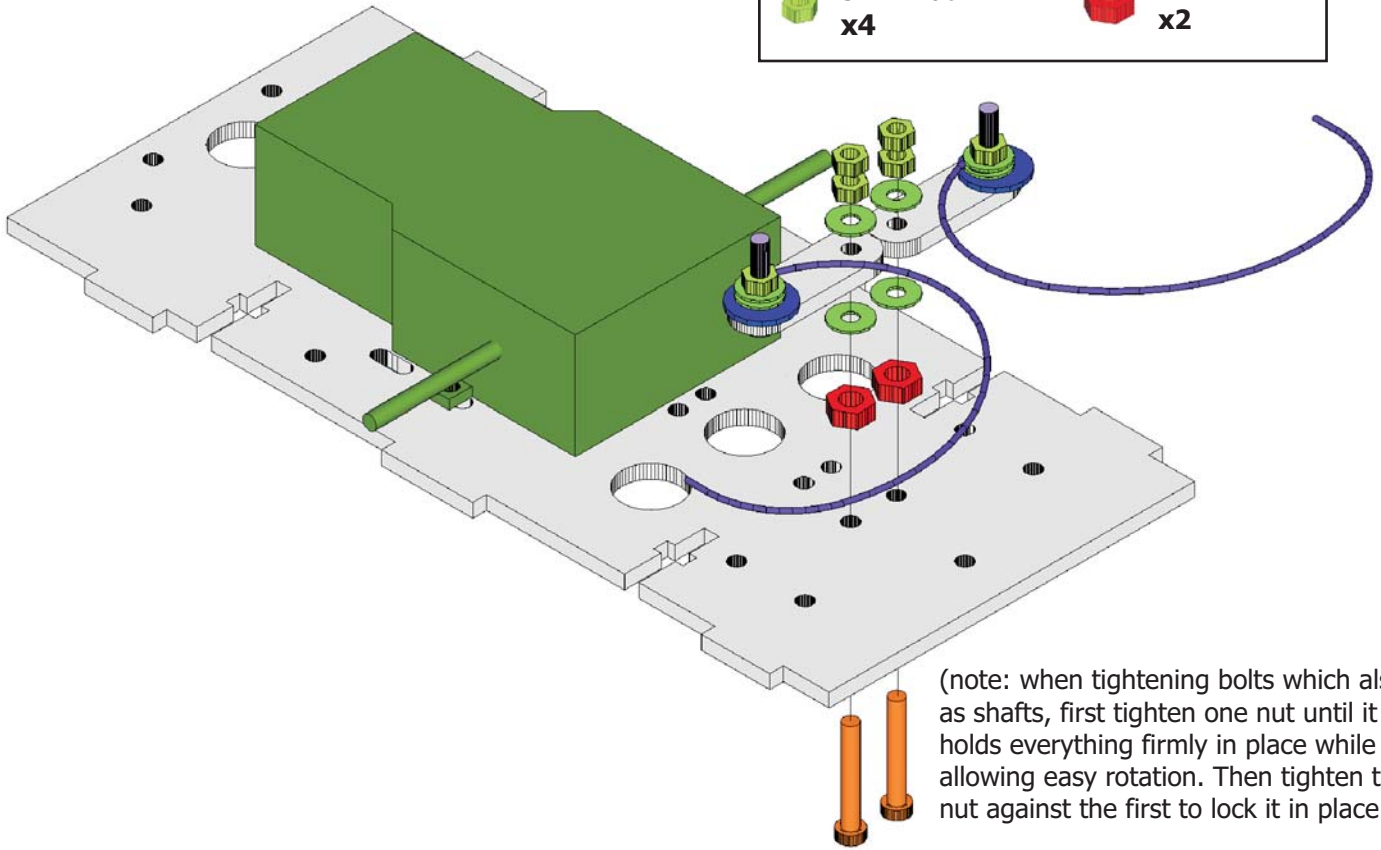
-  3mm x 15mm bolt
x2
-  3mm nut
x2
-  3mm washer
x4
-  5mm washer
x2
-  whisker
x2
-  switch arm
x2





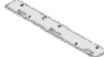
x2

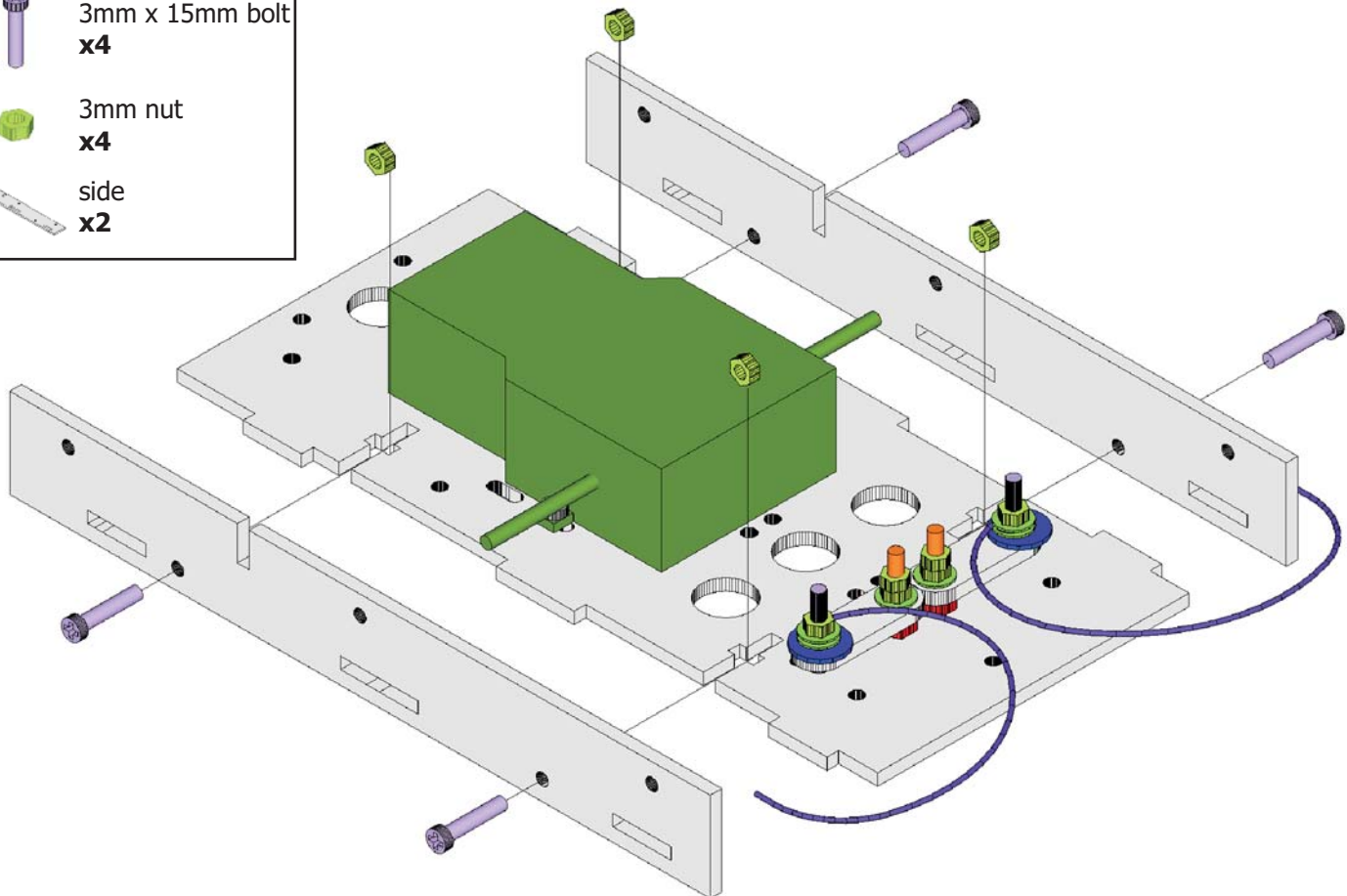
3.

- | | | | |
|---|------------------------------|---|-------------------------|
|  | 3mm x 30mm bolt
x2 |  | 3mm washer
x4 |
|  | 3mm nut
x4 |  | 4mm nut
x2 |








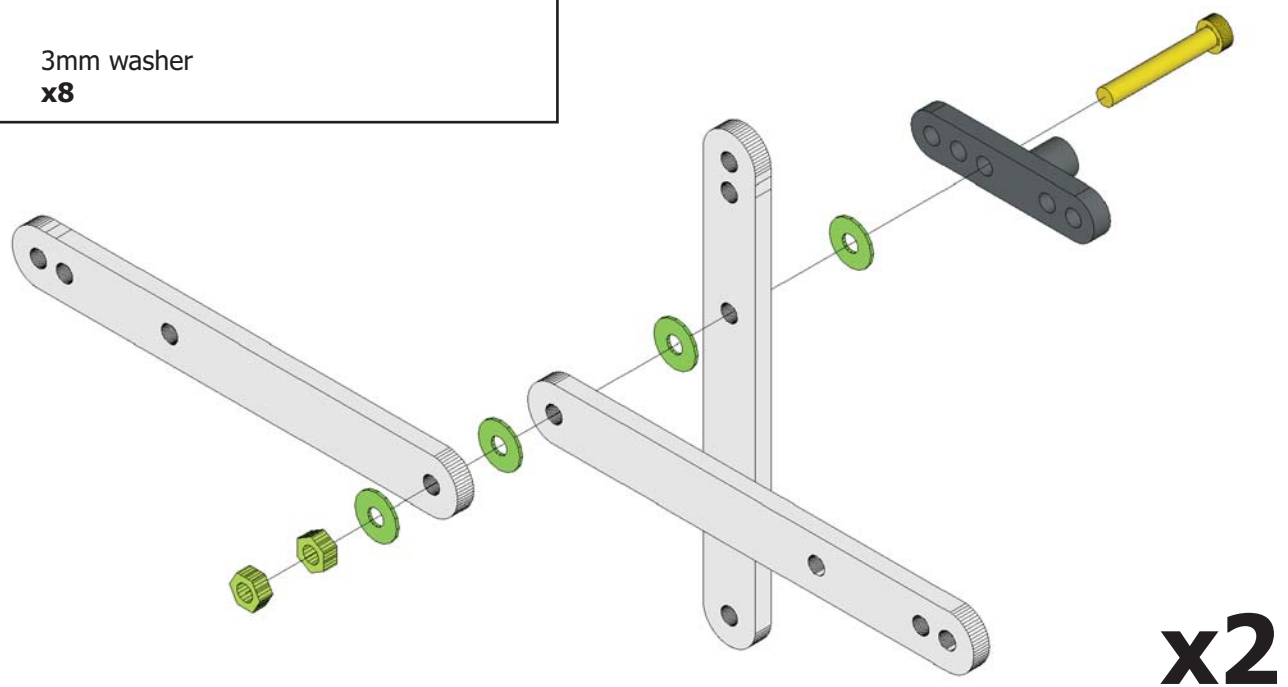
4.

- | | |
|---|------------------------------|
|  | 3mm x 15mm bolt
x4 |
|  | 3mm nut
x4 |
|  | side
x2 |








5.

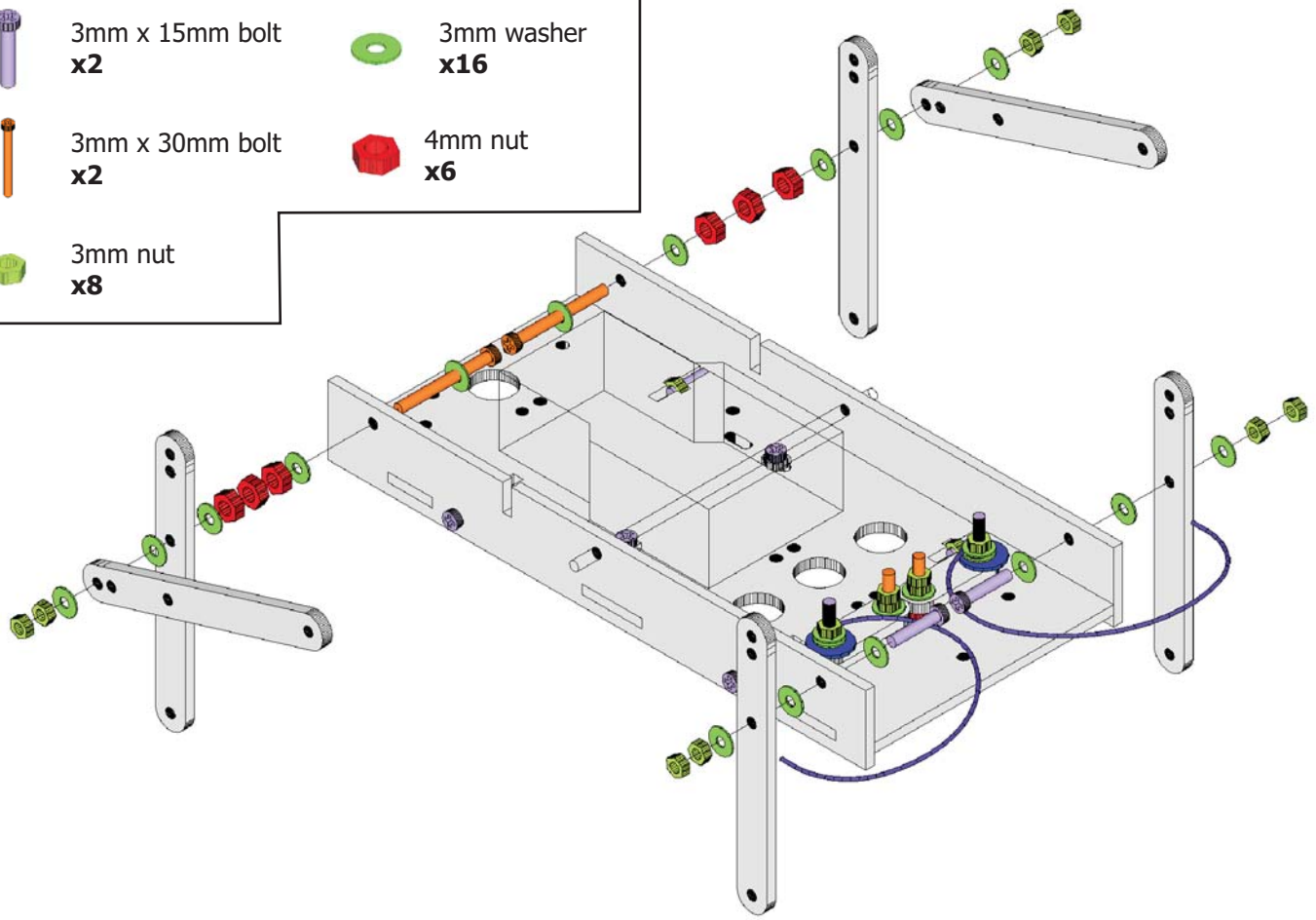
- | | | | |
|---|------------------------------|---|--------------------------|
|  | 3mm x 20mm bolt
x2 |  | crank
x2 |
|  | 3mm nut
x4 |  | arm and leg
x6 |
|  | 3mm washer
x8 | | |



x2

6.

- | | | | |
|---|------------------------------|---|--------------------------|
|  | 3mm x 15mm bolt
x2 |  | 3mm washer
x16 |
|  | 3mm x 30mm bolt
x2 |  | 4mm nut
x6 |
|  | 3mm nut
x8 | | |



7.



3mm x 30mm bolt
x4



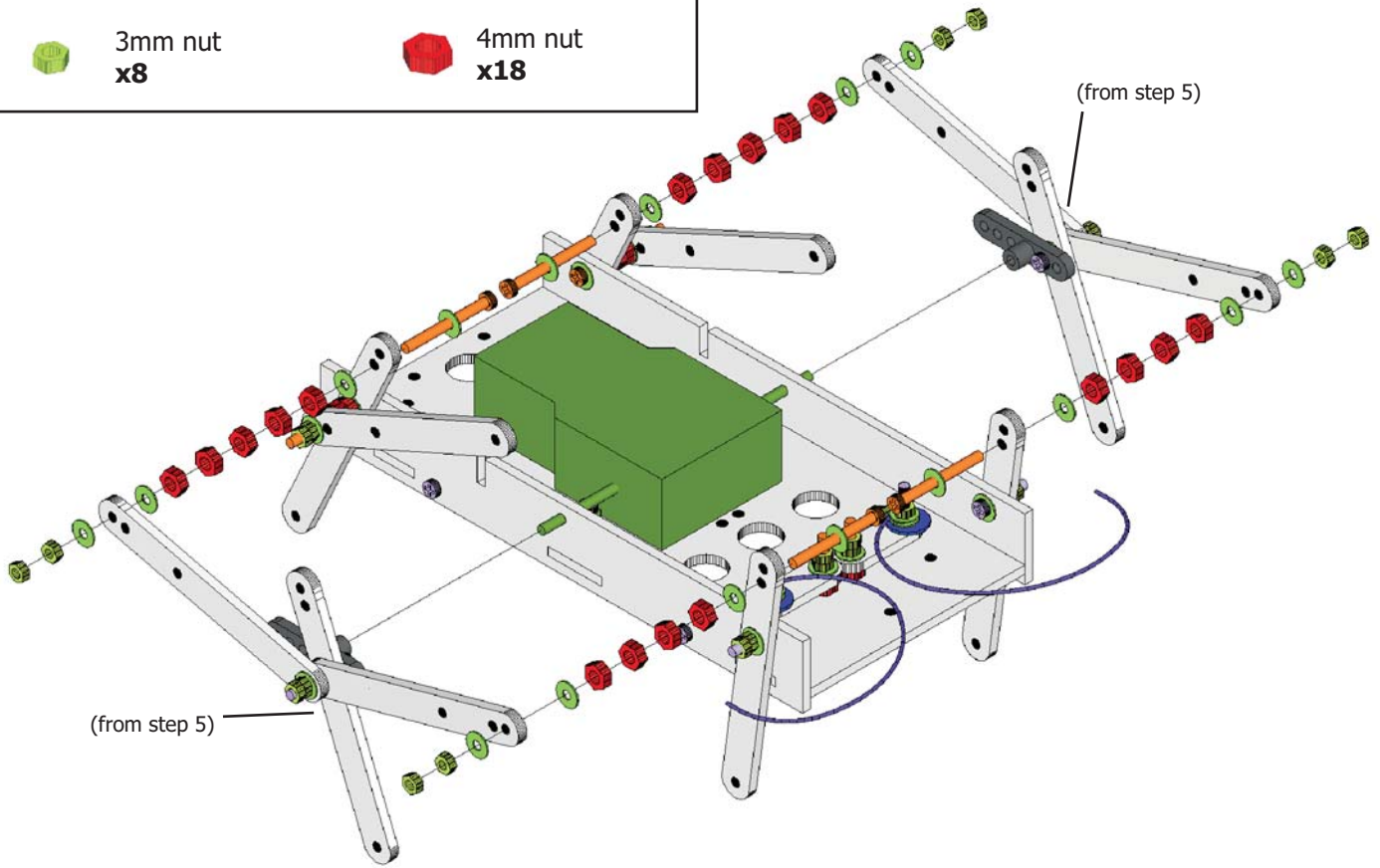
3mm washer
x16



3mm nut
x8



4mm nut
x18



8.



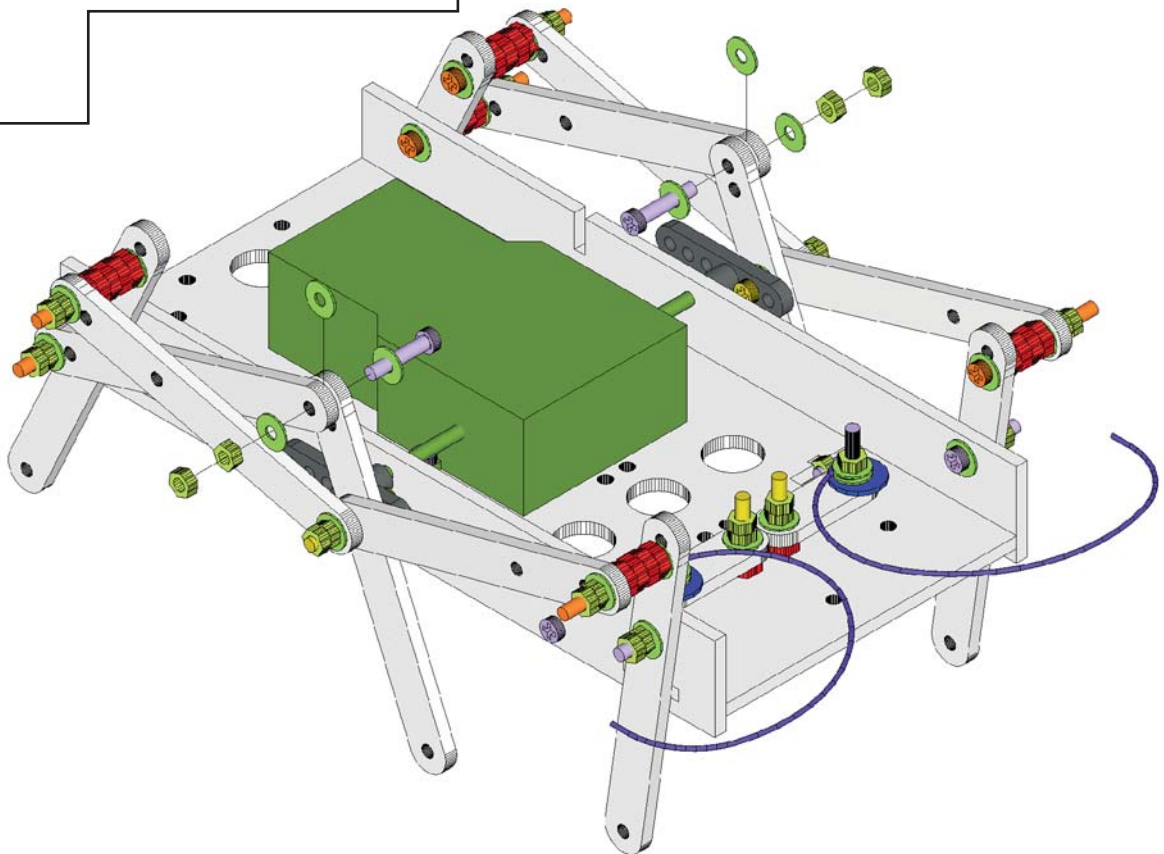
3mm x 15mm bolt
x2



3mm washer
x6



3mm nut
x4



9.



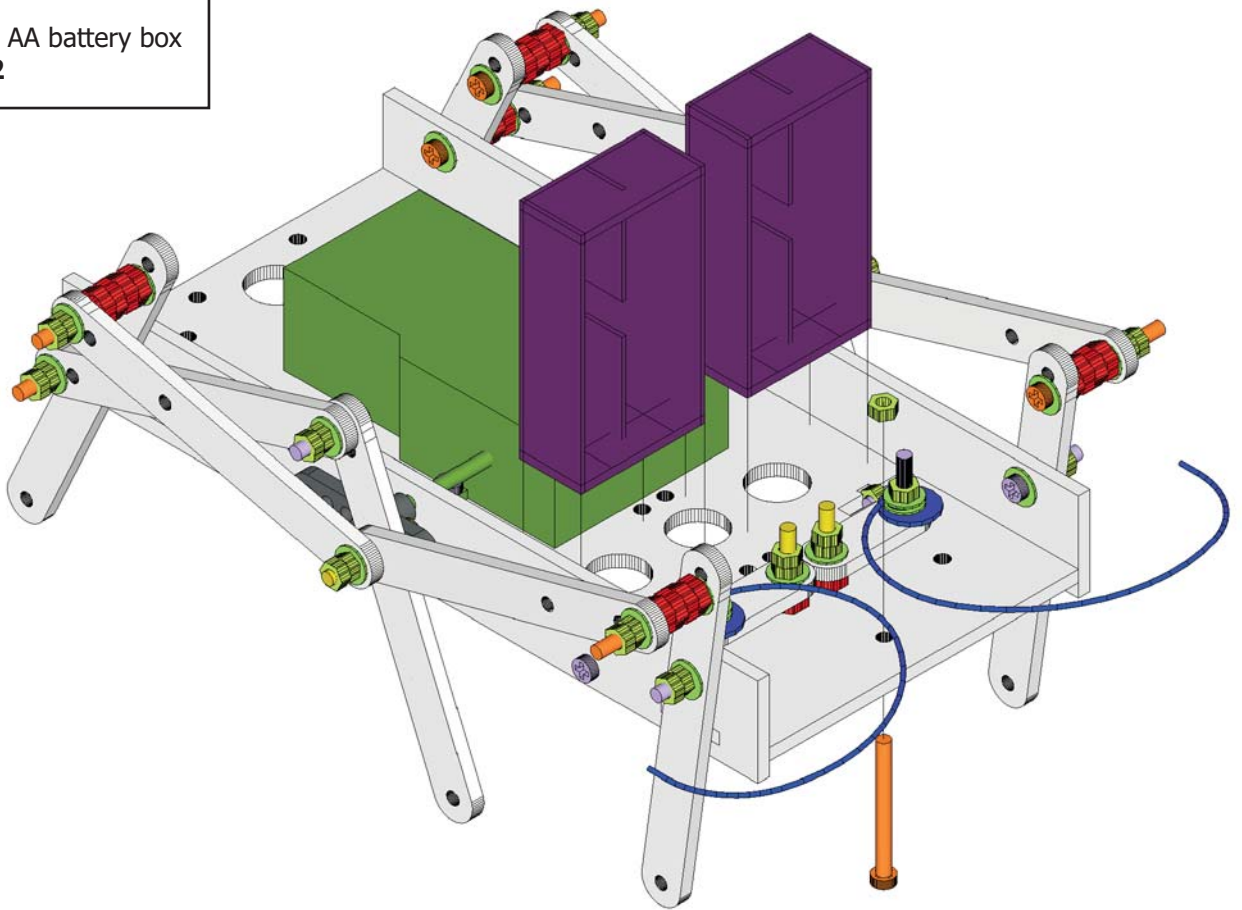
3mm x 30mm bolt
x1



3mm nut
x1



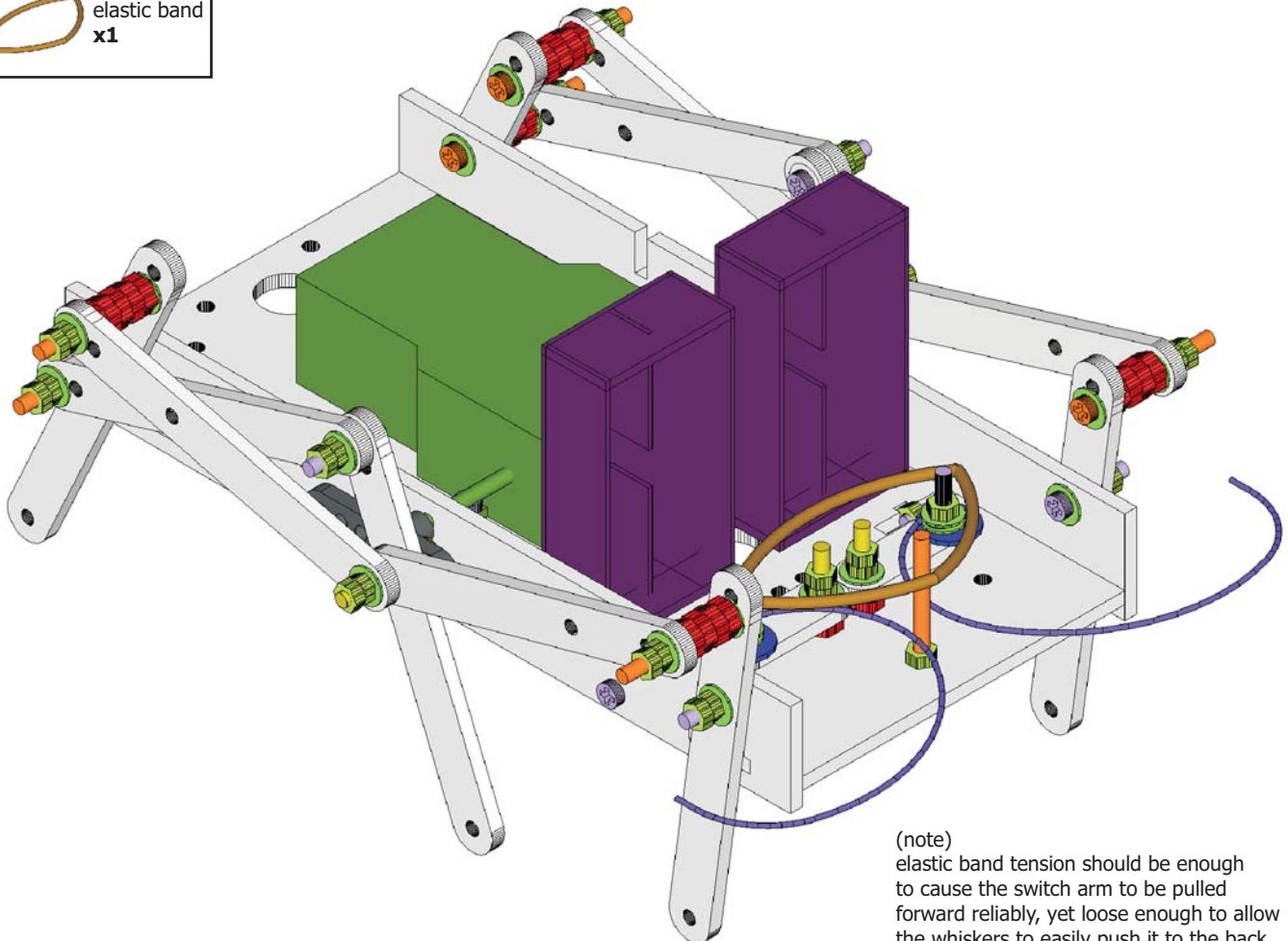
2x AA battery box
x2



10.



elastic band
x1



(note)
elastic band tension should be enough
to cause the switch arm to be pulled
forward reliably, yet loose enough to allow
the whiskers to easily push it to the back.