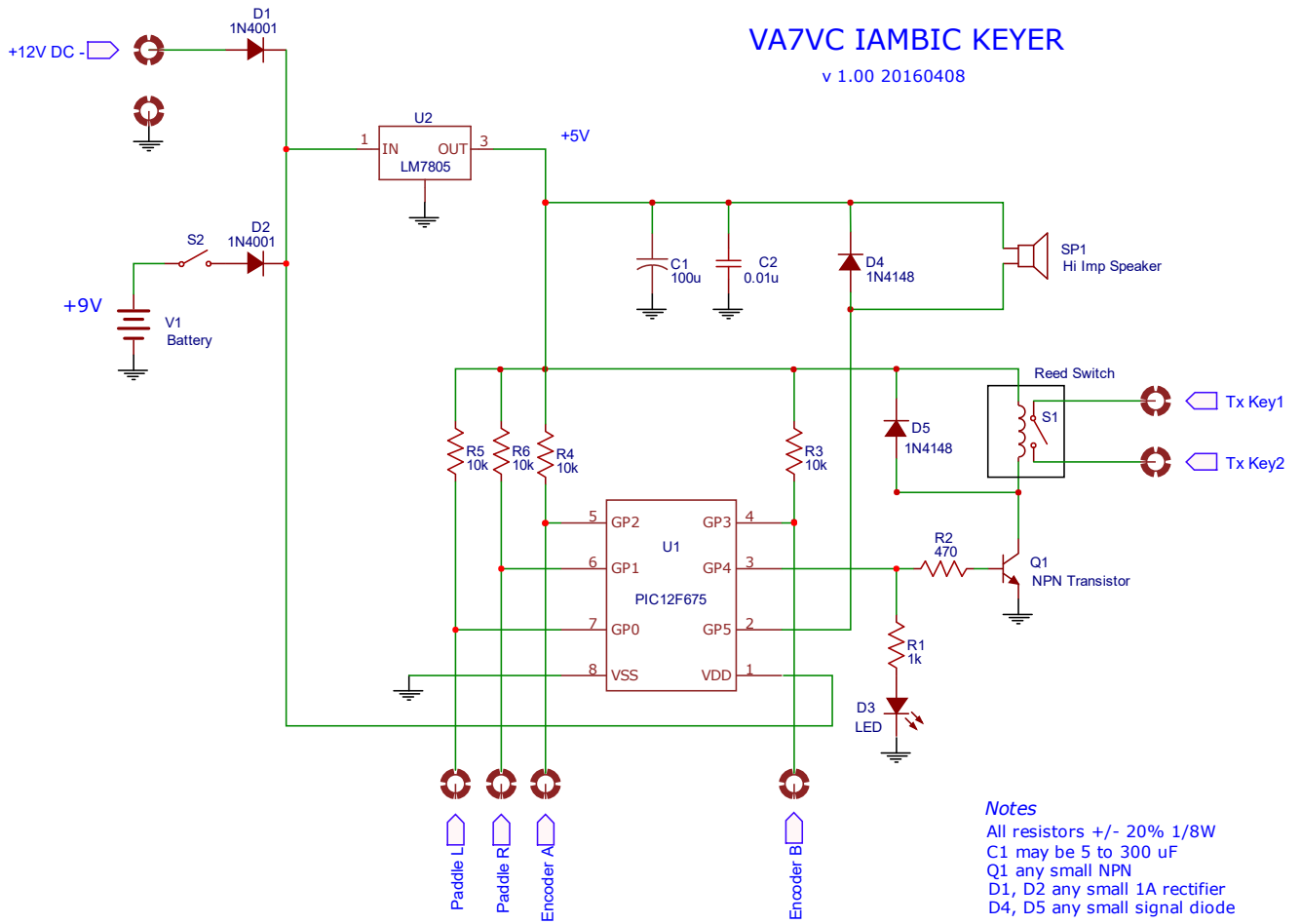


VA7VC IAMBIC KEYS

v 1.00 20160408



Notes

- All resistors +/- 20% 1/8W
- C1 may be 5 to 300 uF
- Q1 any small NPN
- D1, D2 any small 1A rectifier
- D4, D5 any small signal diode