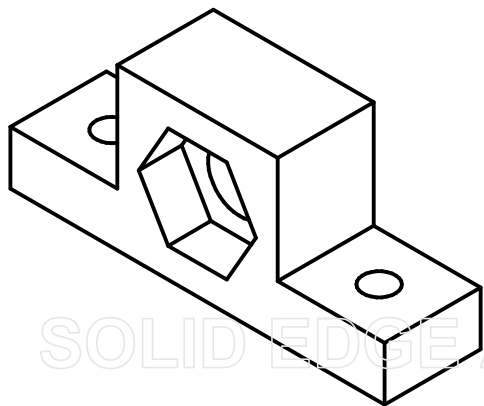
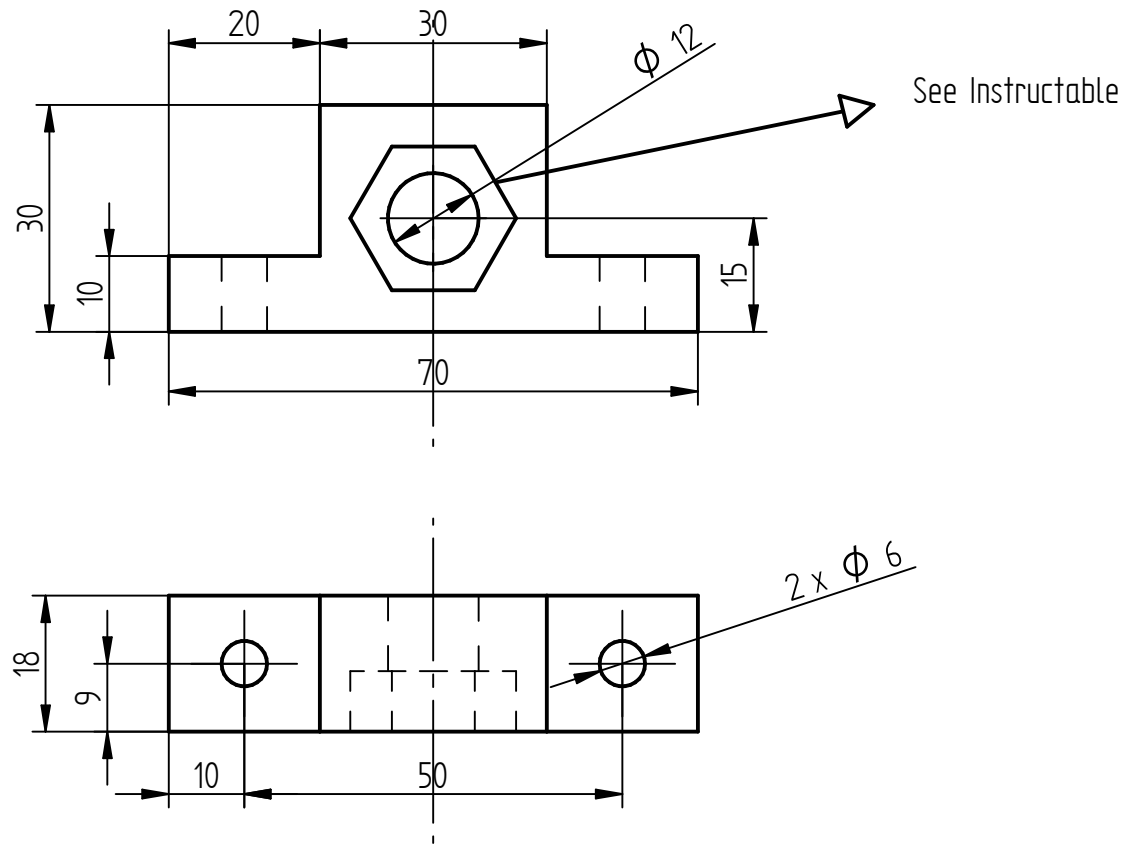


2 pieces



Title: X-Axis Nut support		Project: Arduino Laser Engraver	
Author:	MichielD99	Scale:	1 / 1
Units:	mm	Size:	A4

SOLID EDGE ACADEMY.COM